

EMX 68s / EMX 88s

POWERED MIXER / POWERED MIXER

SERVICE MANUAL



EMX68S



EMX88S

- OPTION
RK-88 RACK MOUNT KIT

■ CONTENTS

SPECIFICATIONS	3
PANEL LAYOUT	7
CIRCUIT BOARD LAYOUT & WIRING	10
DIMENSIONS	11
BLOCK & LEVEL DIAGRAM	12
DISASSEMBLY PROCEDURE	14
LSI PIN DESCRIPTION	20
IC BLOCK DIAGRAM	22
CIRCUIT BOARDS	23
INSPECTION	37
OVERALL CIRCUIT DIAGRAM	
PARTS LIST	

This document is printed on chlorine free (ECF) paper with soy ink.

PA 011625

EMX68S 20020325-92000
EMX88S 20020325-105000
RK88 20020325-2500



HAMAMATSU, JAPAN

1,387K-7041FT ① Printed in Japan 2002.03

IMPORTANT NOTICE

This manual has been provided for the use of authorized Yamaha Retailers and their service personnel. It has been assumed that basic service procedures inherent to the industry, and more specifically Yamaha Products, are already known and understood by the users, and have therefore not been restated.

WARNING: Failure to follow appropriate service and safety procedures when servicing this product may result in personal injury, destruction of expensive components and failure of the product to perform as specified. For these reasons, we advise all Yamaha product owners that all service required should be performed by an authorized Yamaha Retailer or the appointed service representative.

IMPORTANT: This presentation or sale of this manual to any individual or firm does not constitute authorization, certification, recognition of any applicable technical capabilities, or establish a principal-agent relationship of any form.

The data provided is believed to be accurate and applicable to the unit(s) indicated on the cover. The research engineering, and service departments of Yamaha are continually striving to improve Yamaha products. Modifications are, therefore, inevitable and changes in specification are subject to change without notice or obligation to retrofit. Should any discrepancy appear to exist, please contact the distributor's Service Division.

WARNING: Static discharges can destroy expensive components. Discharge any static electricity your body may have accumulated by grounding yourself to the ground buss in the unit (heavy gauge black wires connect to this buss).

IMPORTANT: Turn the unit OFF during disassembly and parts replacement. Recheck all work before you apply power to the unit.

WARNING: CHEMICAL CONTENT NOTICE!

The solder used in the production of this product contains LEAD. In addition, other electrical / electronic and / or plastic (where applicable) components may also contain traces of chemicals found by the California Health and Welfare Agency (and possibly other entities) to cause cancer and / or birth defects or other reproductive harm.

DO NOT PLACE SOLDER, ELECTRICAL / ELECTRONIC OR PLASTIC COMPONENTS IN YOUR MOUTH FOR ANY REASON WHAT SO EVER!

Avoid prolonged, unprotected contact between solder and your skin! When soldering, do not inhale solder fumes or expose eyes to solder / flux vapor!

If you come in contact with solder or components located inside the enclosure of this product, wash your hands before handling food.

IMPORTANT NOTICE FOR THE UNITED KINGDOM

Connecting the Plug and Cord

WARNING: THIS APPARATUS MUST BE EARTHED

IMPORTANT: The wires in this main lead are coloured in accordance with the following code:
 GREEN-AND-YELLOW: EARTH
 BLUE: NEUTRAL
 BROWN: LIVE


As the colours of the wires in the main lead of this apparatus may not correspond with the coloured markings identifying the terminals in your plug, proceed as follows:

The GREEN-and-YELLOW wire must be connected to the terminal in the plug that is marked with the letter E or the safety earth symbol (or coloured GREEN or GREEN-and-YELLOW).

The BLUE wire must be connected to the terminal that is marked with the letter N (or coloured BLACK).

The BROWN wire must be connected to the terminal that is marked with the letter L (or coloured RED).

■ WARNING

Components having special characteristics are marked  and must be replaced with parts having specification equal to those originally installed.

This applies only to products distributed by Yamaha Kemble Music (U. K.) Ltd.

■ SPECIFICATIONS

● General specifications

Maximum output power	MAIN L, R: 400 W+400 W/4Ω @0.5% THD at 1 kHz, 270 W+270 W/8Ω @0.5% THD at 1 kHz MAIN BRIDGE: 800 W/8Ω @0.5% THD at 1 kHz	
Frequency response	20 Hz–20 kHz +1 dB, –3 dB @1 W output into 8Ω (SPEAKERS OUT) 20 Hz–20 kHz +1 dB, –3 dB @+4 dB output into 10 kΩ (MAIN OUT, MONITOR OUT, EFFECT OUT)	
Total harmonic distortion	Less than 0.5% @20 Hz–20 kHz, 200 W output into 4Ω (SPEAKERS OUT) Less than 0.3% @20 Hz–20 kHz, +14 dB output into 10 kΩ (MAIN OUT, MONITOR OUT, EFFECT OUT)	
Hum & noise (Average, Rs=150Ω) (with 20 Hz–20 kHz BPF)	–124 dB equivalent input noise, –65 dB residual output noise (SPEAKERS OUT)	
	–88 dB residual output noise (MAIN OUT, MONITOR OUT)	
	–79 dB (MAIN OUT)	Master level control: nominal level, All channel level controls: minimum
	–75 dB (MONITOR OUT)	Master level control: nominal level, All channel level controls: minimum
	–69 dB (MAIN OUT)	Master level control: nominal level, 1 channel level control: nominal level
	–84 dB (EFFECT OUT)	All channel level controls: minimum
	–64 dB (EFFECT OUT)	1 channel level control: nominal level
Maximum voltage gain	86 dB CH IN (Lo-Z) to SPEAKERS OUT 66 dB CH IN (Lo-Z) to MAIN OUT, MONITOR OUT 66 dB CH IN (Lo-Z) to EFFECT OUT 48 dB CH IN (Lo-Z) to REC OUT 56 dB CH IN (Hi-Z) to MAIN OUT, MONITOR OUT 46 dB CH IN (Super Hi-Z) to MAIN OUT 26 dB AUX IN to MAIN OUT 24 dB 2TR IN to MAIN OUT 66 dB MIC IN to MAIN OUT 26 dB LINE IN to MAIN OUT	
Crosstalk at 1 kHz	65 dB adjacent input, 65 dB input to output	
Input channel equalization	±15 dB Maximum HIGH 10 kHz shelving MID 2.5 kHz peaking LOW 100 Hz shelving * Turn over/roll-off frequency of shelving: 3 dB below maximum variable level.	
Meters	5 POINTS LED METER (MAIN OUT L/R, MONITOR OUT)	
Graphic equalizer	7 bands (125, 250, 500, 1k, 2k, 4k, 8k Hz) ±12 dB Maximum (MAIN OUT, MONITOR OUT)	
Internal digital effect	16 programs, parameter control, tap delay control	
Phantom power	+15 V (balanced input)	
Limiter	Comp. : THD≥0.5% (SPEAKERS OUT)	
LIMIT indicators	Turns on. : THD≥0.5% (SPEAKERS OUT)	
Protection circuit (Power amp)	POWER switch on/off mute, DC detection, TEMP (heatsink temp. ≥90°C)	
Fan circuit	stop — low speed (50°C) — variable — high speed (70°C)	
Foot switch (FC5)	DIGITAL EFFECT MUTE : on/off, Tap delay	
Optional accessories	RK-88, FC5	
Power requirement/ Power consumption	USA and Canada	120 V AC 60 Hz/300W
	Europe	230 V AC 50 Hz/350W
	Other	240 V AC 50 Hz/350W
Dimensions (WxHxD)	482 x 305 x 328 mm	
Weight	15.5 kg	
Supplied accessories	AC power cord, Owner's Manual	

● Input specifications

Input connectors	PAD	Actual load impedance	Nominal impedance	Input level			Connector type
				Sensitivity* ¹	Nominal level	Max. before clipping	
CH INPUT (Low-Z) (CH1-4/1-6)	OFF	3 k Ω	50-600 Ω Mics	-62 dB (0.616 mV)	-50 dB (2.45 mV)	-20 dB (77.5 mV)	XLR-3-31 type* ²
	ON		600 Ω Lines	-32 dB (19.5 mV)	-20 dB (77.5 mV)	+10 dB (2.45 V)	
CH INPUT (Hi-Z) (CH1-2/1-4)	OFF	10 k Ω	50-600 Ω Mics	-52 dB (1.95 mV)	-40 dB (7.75 mV)	-10 dB (245 mV)	Phone jack (TRS)* ²
	ON		600 Ω Lines	-22 dB (61.6 mV)	-10 dB (245 mV)	+20 dB (7.75 V)	
CH INPUT (Super Hi-Z) (CH3-4/5-6)	OFF	470 k Ω	1k Ω	-42 dB (6.16 mV)	-30 dB (24.5 mV)	0 dB (775 mV)	Phone jack* ³
	ON			-12 dB (195 mV)	0 dB (775 mV)	+10 dB (3.16 V)	
MIC INPUT		3 k Ω	50-600 Ω Mics	-62 dB (0.616 mV)	-50 dB (2.45 mV)	-20 dB (77.5 mV)	XLR-3-31 type* ²
LINE INPUT (L, R)		10 k Ω	600 Ω Line	-22 dB (61.6 mV)	-10 dB (245 mV)	+20 dB (7.75 V)	Phone jack* ³
AUX IN (L, R)		10 k Ω	600 Ω Line	-22 dB (61.6 mV)	-10 dB (245 mV)	+20 dB (7.75 V)	Phone jack* ³
2TR IN (L, R)		10 k Ω	600 Ω Line	-22 dBV (79.4 mV)	-10 dBV (316 mV)	+17.8 dBV (7.76 V)	Phono jack

*1. Sensitivity is the lowest level that can produce an output of +4 dB (1.23 V) or the nominal output level when the unit is set at maximum gain.
(All level controls are at maximum position.)

*2. Balanced.

*3. Unbalanced.

- 0 dB=0.775 Vrms, 0 dBV=1 Vrms.

● Output specifications

Output connectors		Actual source impedance	Nominal impedance	Output level		Connector type
				Nominal	Max. before clipping	
SPEAKERS OUT	A, B (1, 2)	0.1 Ω	4/8 Ω Speaker	80 W/4 Ω	(400 W/4 Ω)	Phone jack
	BRIDGE	0.1 Ω	8 Ω Speaker	160 W/8 Ω	(800 W/8 Ω)	Phone jack
MAIN OUT (L, R)		600 Ω	10 k Ω Lines	+4 dB (1.23 V)	+20 dB (7.75 V)	Phone jack
EFFECT OUT		600 Ω	10 k Ω Lines	+4 dB (1.23 V)	+20 dB (7.75 V)	Phone jack
MONITOR OUT		600 Ω	10 k Ω Lines	+4 dB (1.23 V)	+20 dB (7.75 V)	Phone jack
REC OUT (L, R)		600 Ω	10 k Ω Lines	-10 dBV (316 mV)	+10 dBV (3.16 V)	Phono jack

• All output jacks are unbalanced.

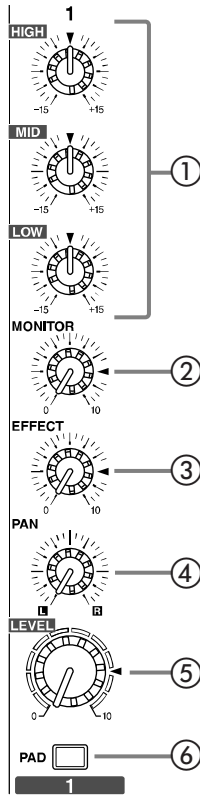
- 0 dB=0.775 Vrms, 0 dBV=1 Vrms.

PANEL LAYOUT

● CONTROL PANEL

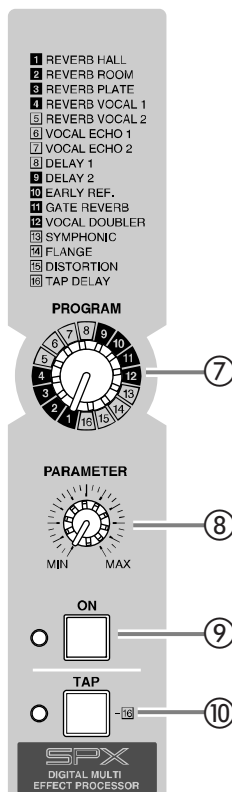
1. CONTROL SECTION

• Channel Control



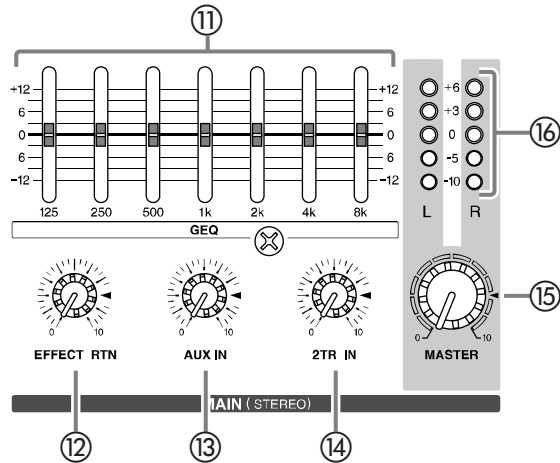
- ① Equalizer (HIGH, MID, LOW)
- ② MONITOR control
- ③ EFFECT control
- ④ PAN control (EMX-68S/CH1-4, EMX-88S/CH1-6)
BAL/PAN control (EMX-68S/CH5-6, EMX-88S/CH7-8)
- ⑤ LEVEL control
- ⑥ PAD switch (EMX-68S/CH1-4, EMX-88S/CH1-6)

• Digital Effect



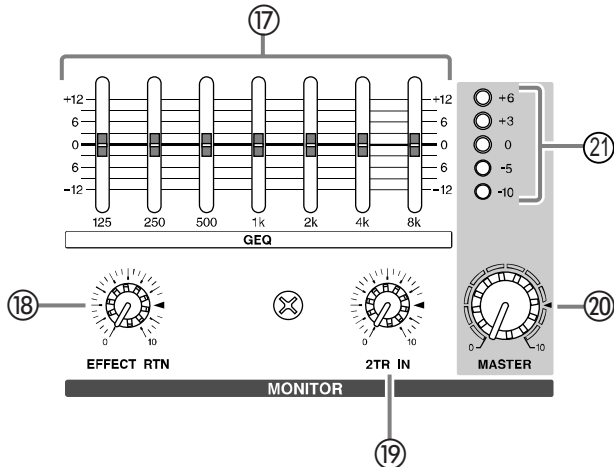
- ⑦ PROGRAM selector
- ⑧ PARAMETER control
- ⑨ ON switch
- ⑩ TAP switch

• MAIN



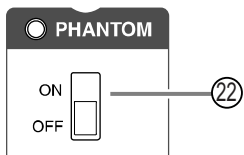
- ⑪ Graphic Equalizer
- ⑫ EFFECT RTN control
- ⑬ AUX IN control
- ⑭ 2TR IN control
- ⑮ MASTER control
- ⑯ Peak Level Indicator

• MONITOR



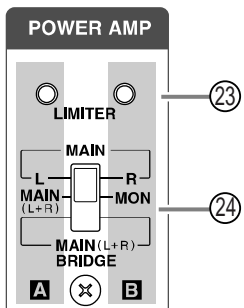
- ⑰ Graphic Equalizer
- ⑱ EFFECT RTN control
- ⑲ 2TR IN control
- ⑳ MASTER control
- ㉑ Peak Level Indicator

• PHANTOM switch, indicator



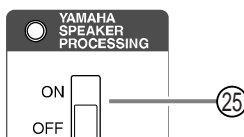
- ㉒ PHANTOM ON/OFF switch

• POWER AMP



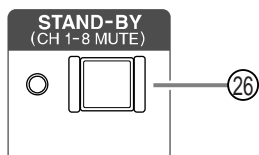
- ㉓ LIMITER indicator
- ㉔ Power Amp select switch

• YAMAHA SPEAKER PROCESSING



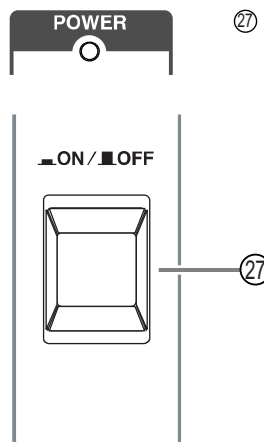
- ㉕ ON/OFF switch

• STAND-BY



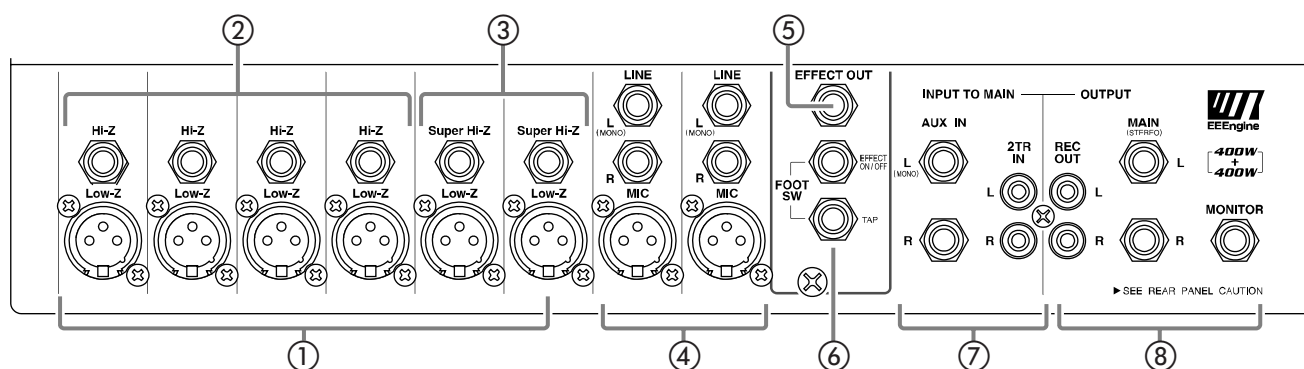
26 ON/OFF switch

• POWER switch, indicator



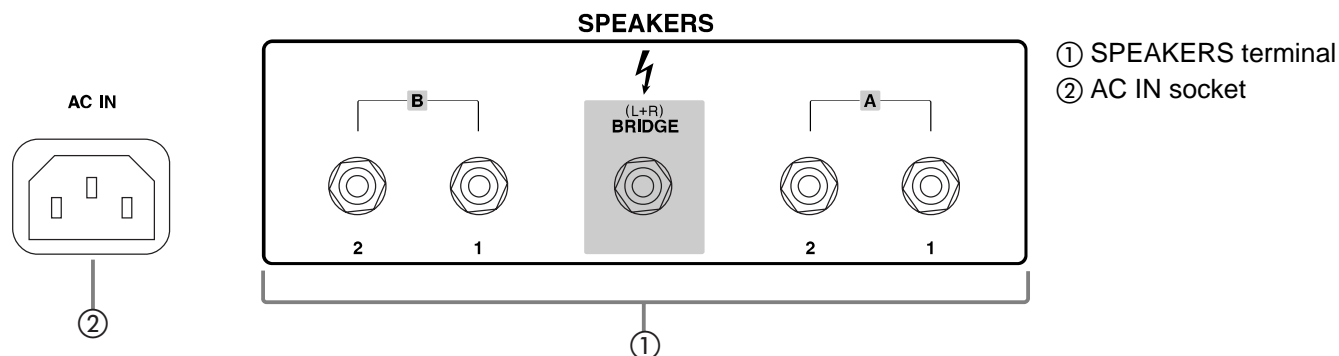
27 POWER ON/OFF switch, indicator

2. INPUT/OUTPUT SECTION



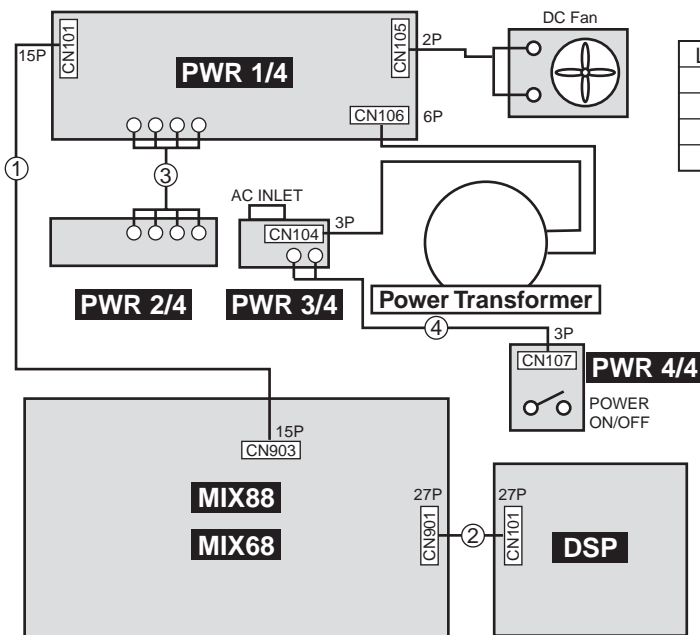
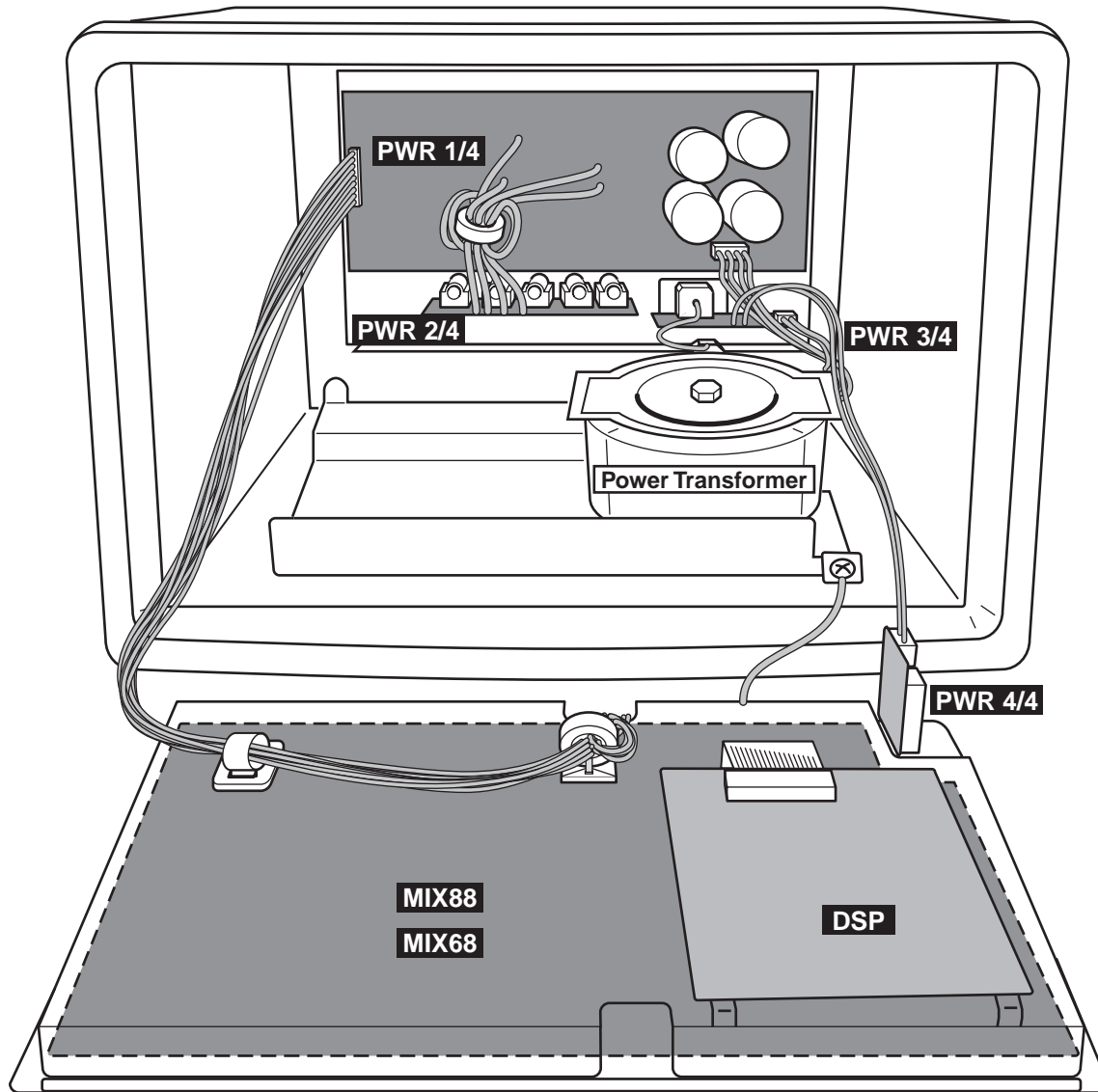
- ① INPUT terminal (Low-Z)
(EMX-68S/CH1-4, EMX-88S/CH1-6)
- ② INPUT terminal (Hi-Z)
(EMX-68S/CH1-2, EMX-88S/CH1-4)
- ③ INPUT terminal (Super Hi-Z)
(EMX-68S/CH3-4, EMX-88S/CH5-6)
- ④ INPUT terminal (MIC, LINE)
(EMX-68S/CH5-6, EMX-88S/CH7-8)
- ⑤ EFFECT OUT terminal
- ⑥ FOOT SW terminal
- ⑦ INPUT TO MAIN terminal (AUX IN, 2TR IN)
- ⑧ OUTPUT terminal (REC OUT, MAIN(STEREO), MONITOR)

● REAR PANEL



- ① SPEAKERS terminal
- ② AC IN socket

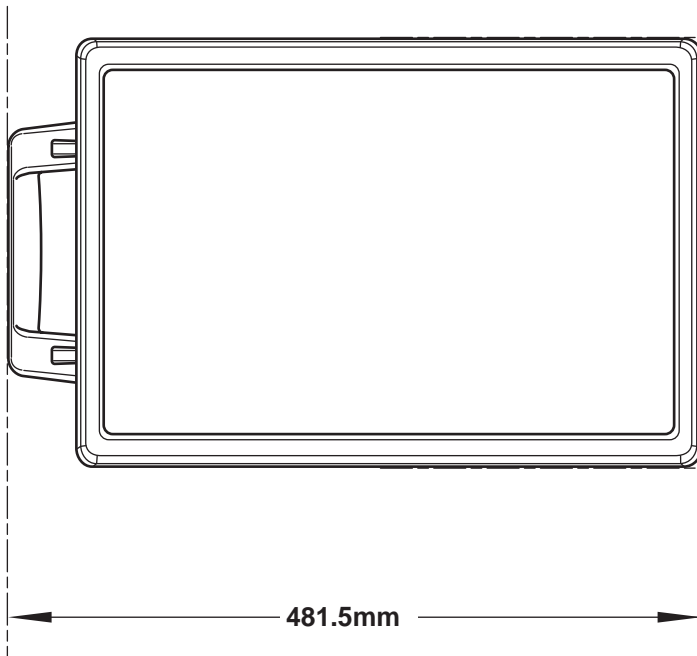
■ CIRCUIT BOARD LAYOUT & WIRING



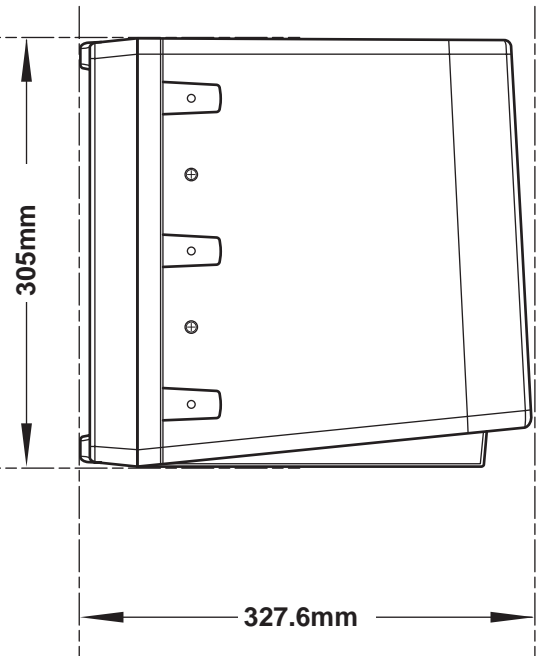
Location	Connector Assembly	Remarks	Parts No.
1	MIX68/88-PWR1/4	24185&2426 15P L=700	V842620
2	MIX68/88-DSP	100mm P=1.25	MF12710
3	PWR1/4-PWR2/4	B&B4P	(V827270)
4	PWR3/4-PWR4/4	PSW	V827290

■ DIMENSIONS

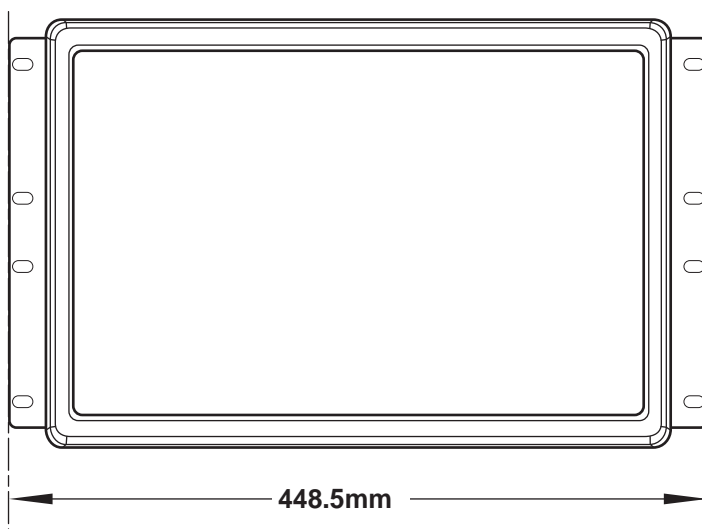
● Front View



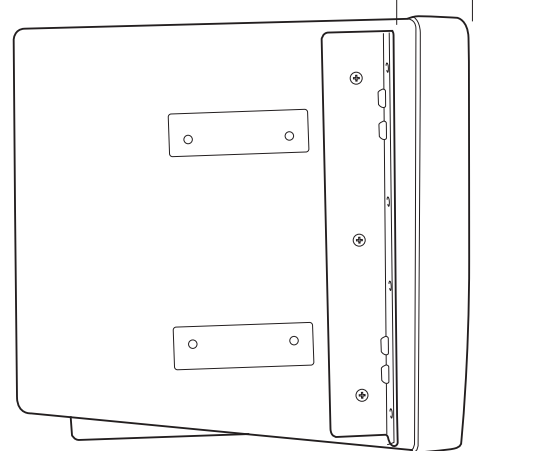
● Side View



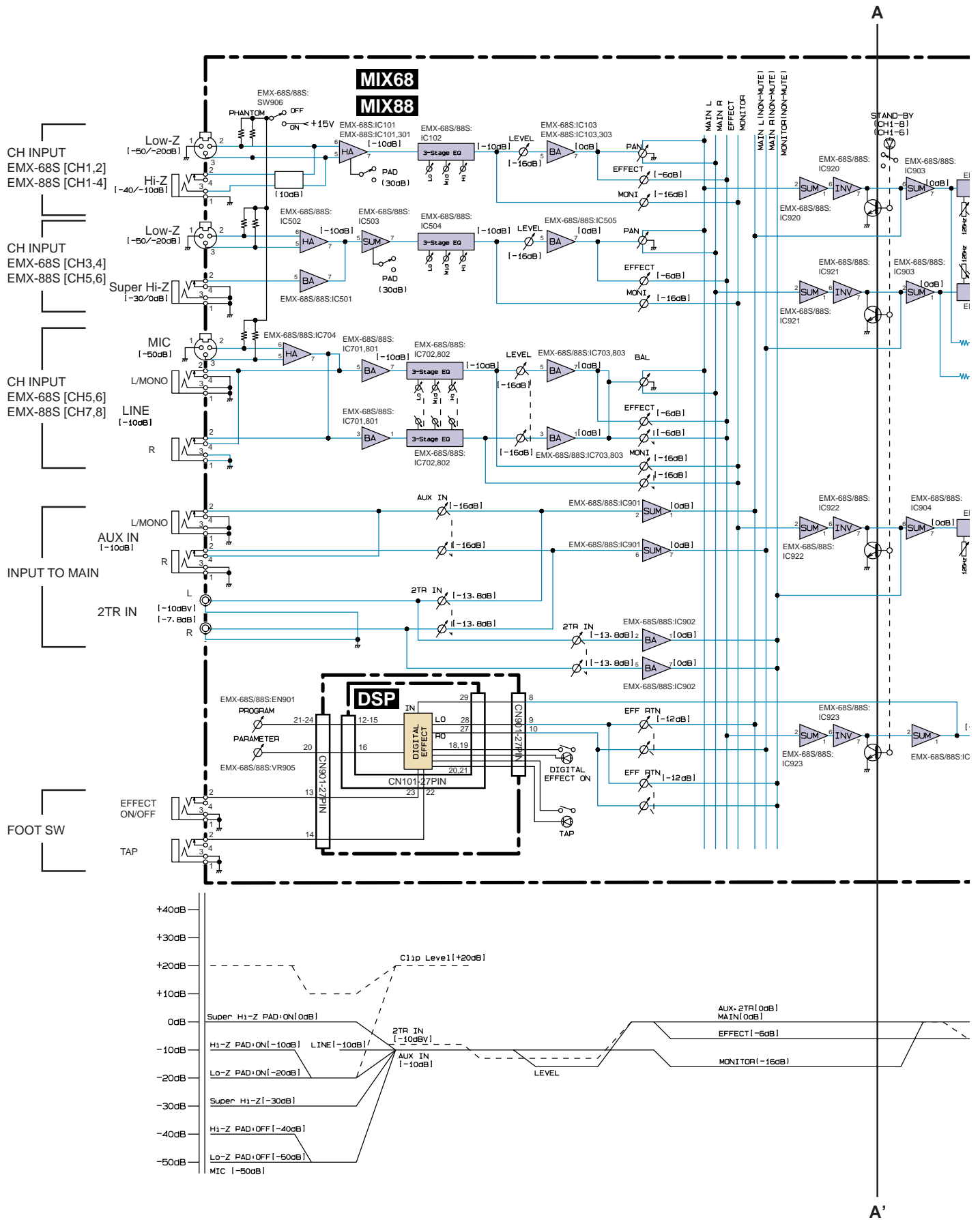
● Front View with Rack Mount Adaptor

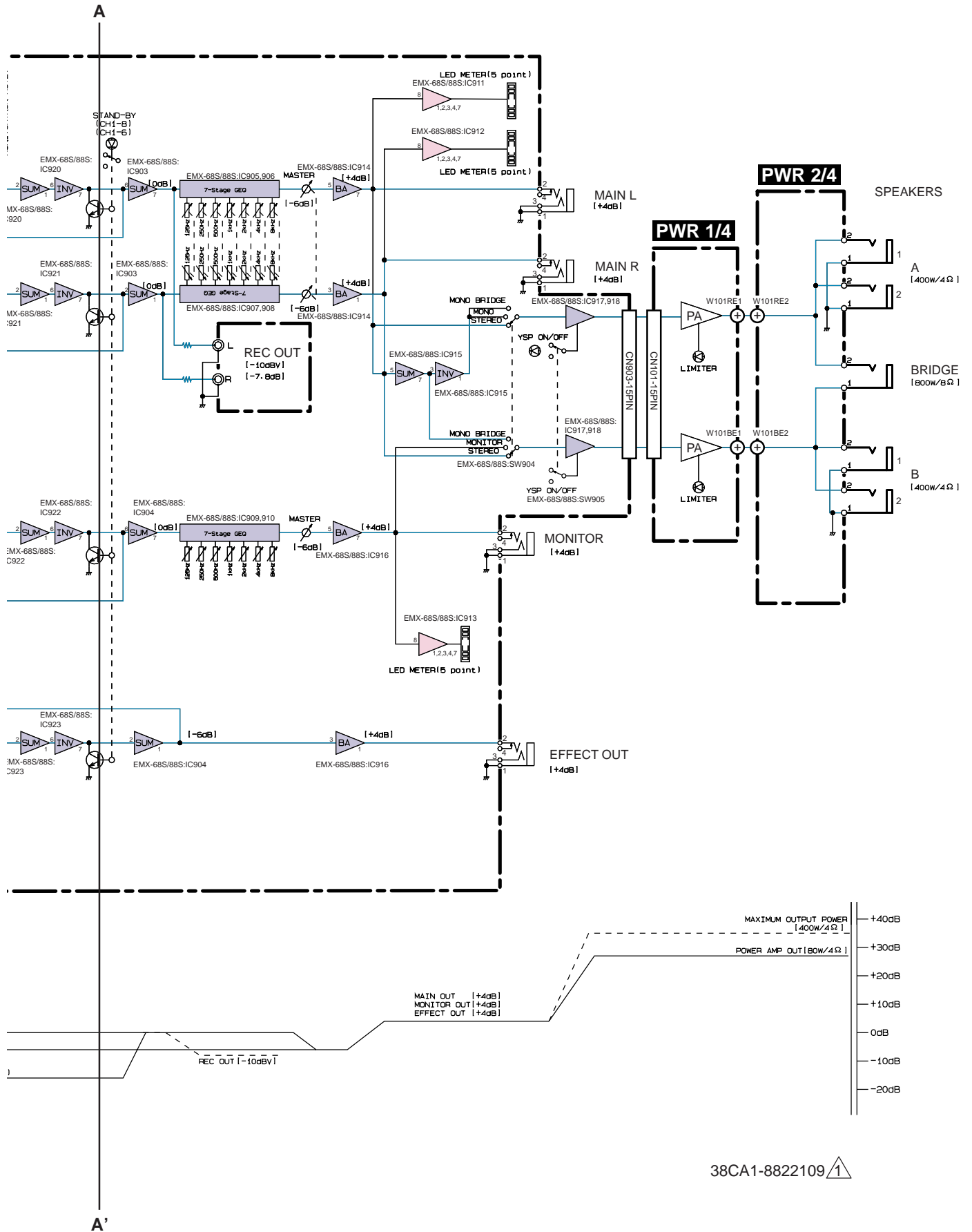


62mm



BLOCK & LEVEL DIAGRAM





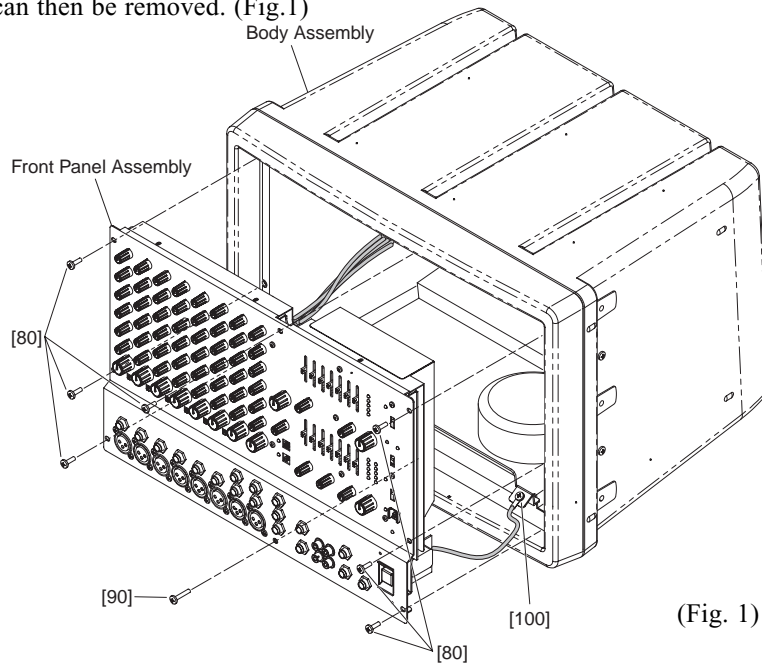
38CA1-8822109

■ DISASSEMBLY PROCEDURE

1. Front Panel Assembly

(Time required: about 3 min)

- 1-1. Remove the seven (7) screws marked [80] and the screw marked [90]. (Fig.1)
- 1-2. Hold volume knobs and pull the front panel forward. (Fig.1)
- 1-3. Remove the screw marked [100]. The front panel assembly can then be removed. (Fig.1)



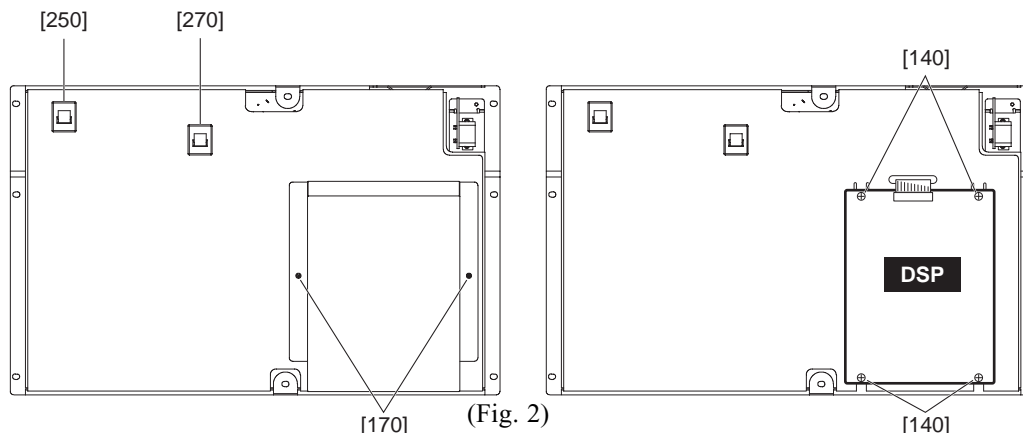
(Fig. 1)

- [80]: Bind Head Screw 4.0X12 MFZN2BL (VB132700)
 [90]: Bind Head Screw 4.0X20 MFZN2BL (VB403600)
 [100]: Bind Head Screw A4.0X8 MFZN2BL (VP156800)

2. DSP-SPX1 Circuit Board

(Time required: about 4 min)

- 2-1. Remove the front panel assembly. (See Procedure 1)
- 2-2. Remove the two (2) screws marked [170] to remove the shield case. (Fig.2)
- 2-3. Remove the four (4) screws marked [140]. The DSP-SPX1 circuit board can then be removed. (Fig.2)



(Fig. 2)

- [140]: Bind Head Tapping Screw-B 3.0X6 MFZN2BL (EP600230)
 [170]: Bind Head Tapping Screw-B 3.0X6 MFZN2BL (EP600230)
 [250]: Cord Binder TS-0708 KSS (VZ765100)
 [270]: Cable Cramp AB-3S-3M NYLON66 (V9078900)

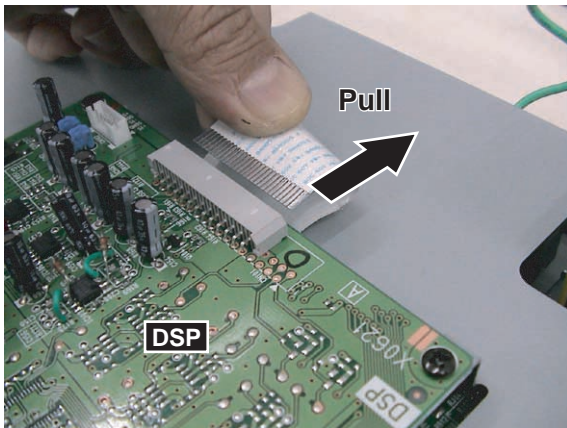
3. MIX68 Circuit Board (EMX68S)

(Time required: about 18 min)

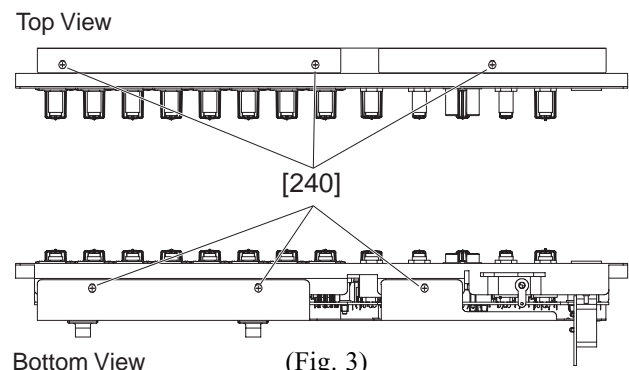
MIX88 Circuit Board (EMX88S)

(Time required: about 20 min)

- 3-1. Remove the front panel assembly. (See Procedure 1)
- 3-2. Remove the cable from the cord binder marked [250]. (Fig.2)
- 3-3. Remove the shield case. (See Procedure 2-2)
- 3-4. Pull out the connector assembly from CN101 on the DSP-SPX1 circuit board. (Fig.4)
- 3-5. Remove the six (6) screws marked [240] to remove the shield plate. (Fig.3)



(Fig. 4)

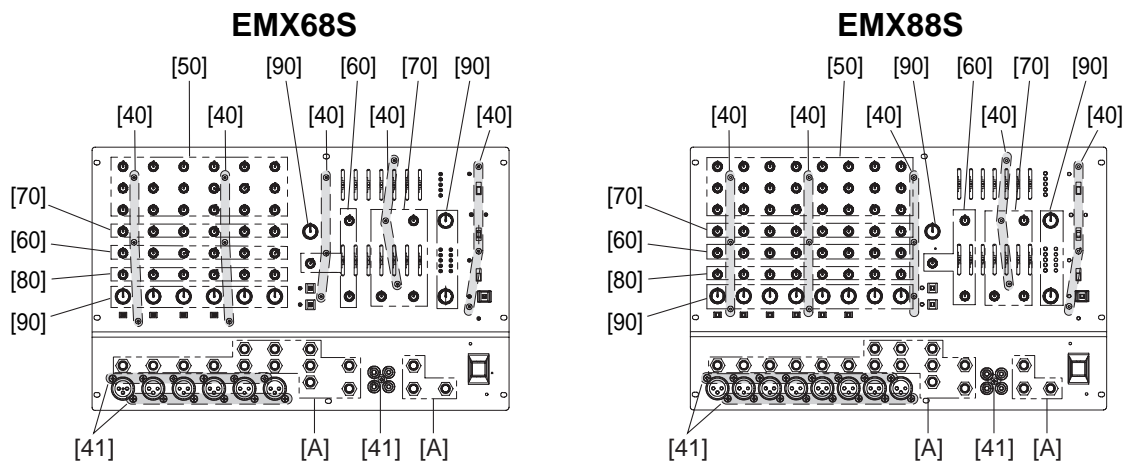


(Fig. 3)

[240]: Bind Head Tapping Screw-B 3.0X6 MFZN2BL (EP600230)

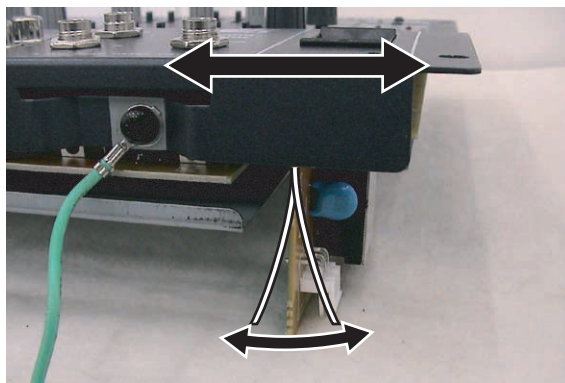
- 3-6. EMX68S: Remove the fifteen (15) screws marked [40], and the thirteen (13) screws marked [41], and the sixteen (16) hexagonal nuts marked [A]. (Fig.5)
- EMX88S: Remove the fifteen (15) screws marked [40], and the seventeen (17) screws marked [41], and the eighteen (18) hexagonal nuts marked [A]. (Fig.5)
- 3-7. EMX68S: Remove the eighteen (18) knobs marked [50], the nine (9) knobs marked [60], the nine (9) knobs marked [70], six (6) knobs marked [80], and the nine (9) knobs marked [90]. The mix68 circuit board can then be removed. (Fig.5)
- EMX88S: Remove the twenty-four (24) knobs marked [50], the eleven (11) knobs marked [60], the eleven (11) knobs marked [70], eight (8) knobs marked [80], and the eleven (11) knobs marked [90]. The mix88 circuit board can then be removed. (Fig.5)

Note: When placing the front panel assembly on the table, take care not to weight the PWR circuit board 4/4. (Fig.6)



(Fig. 5)

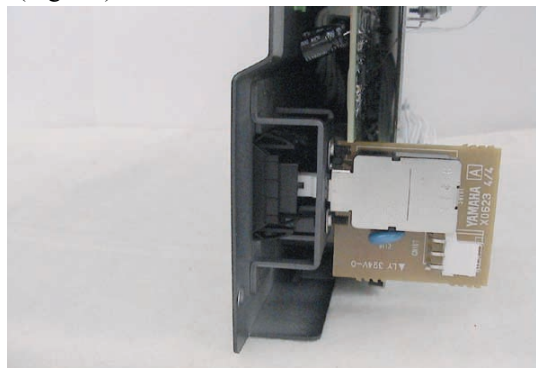
- [40]: Screw X25 MFZNBL (V3289800)
- [41]: Bonding Tapping Screw-B 3.0X8 MFZN2BL (VN413300)
- [50]: Knob GREEN/M-GRAY (V6225300)
- [60]: Knob L-GRAY/M-GRAY (V6225600)
- [70]: Knob BLUE/M-GRAY (V6225400)
- [80]: Knob RED/M-GRAY (V6225500)
- [90]: Knob L-GRAY/D-GRAY (V6225700)



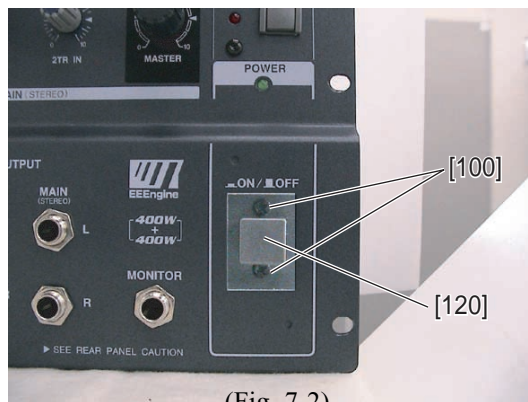
(Fig. 6)

**4. PWR Circuit Board 4/4
(Time required: about 4 min)**

- 4-1. Remove the front panel assembly. (See Procedure 1)
- 4-2. Pinch slightly the stopper of the power switch escutcheon with a plyer, pull it to the front to remove. (Fig.7-1)
- 4-3. Remove the two (2) screws marked [100]. (Fig.7-2)
- 4-4. Remove the power switch knob marked [120]. The PWR circuit board 4/4 can then be removed. (Fig.7-2)



(Fig. 7-1)

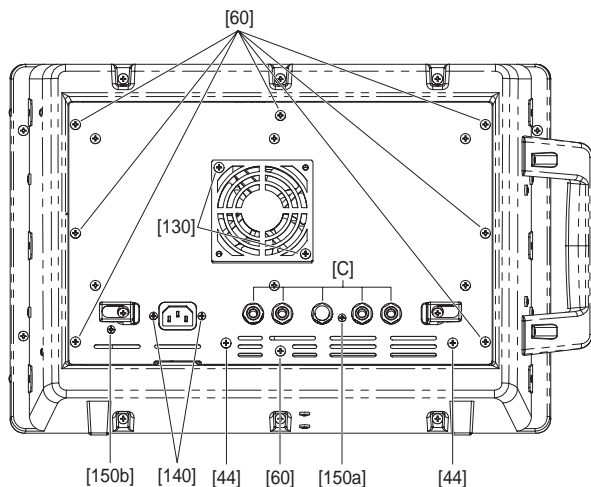


(Fig. 7-2)

- [100]: Bind Head Screw 3.0X8 MFZN2BL (VB659000)
- [120]: Power Switch Knob MX12/4 (VU859000)

5. Rear Panel Assembly
(Time required: about 5 min)

- 5-1. Remove the front panel assembly. (See Procedure 1)
- 5-2. Remove the eight (8) screws marked [60] and the two (2) screws marked [44]. (Fig.8)
- 5-3. Hold the cord holder and pull the rear panel forward to remove. (Fig.9)



(Fig. 8)



(Fig. 9)

- [44]: Bind Head Tapping Screw-B 4.0X8 MFZN2BL (EG340190)
- [60]: Bind Head Screw 4.0X12 MFZN2BL (VB132700)
- [130]: Bind Head Screw 4.0X30 MFZN2BL (VT229100)
- [140]: Bind Head Tapping Screw-B 3.0X12 MFZN2BL (VQ074600)
- [150]: Bonding Tapping Screw-B 3.0X8 MFZN2BL (VN413300)

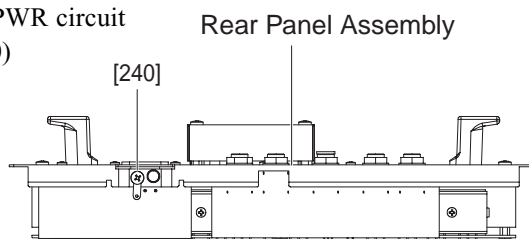
Note: When reinstalling, install the rear panel assembly and the front panel assembly in that order to connect the PSW connector easily.

6. PWR Circuit Board 2/4
(Time required: about 7 min)

- 6-1. Remove the rear panel assembly. (See Procedure 5)
- 6-2. Remove the screw marked [150a] and the five (5) hexagonal nuts marked [C]. The PWR circuit board 2/4 can then be removed. (Fig.8)

7. PWR Circuit Board 3/4
(Time required: about 6 min)

- 7-1. Remove the rear panel assembly. (See Procedure 5)
- 7-2. Remove the two (2) screws marked [140] and the screw marked [150b]. (Fig.8)
- 7-3. Remove the screw marked [240]. The PWR circuit board 3/4 can then be removed. (Fig.10)



(Fig. 10)

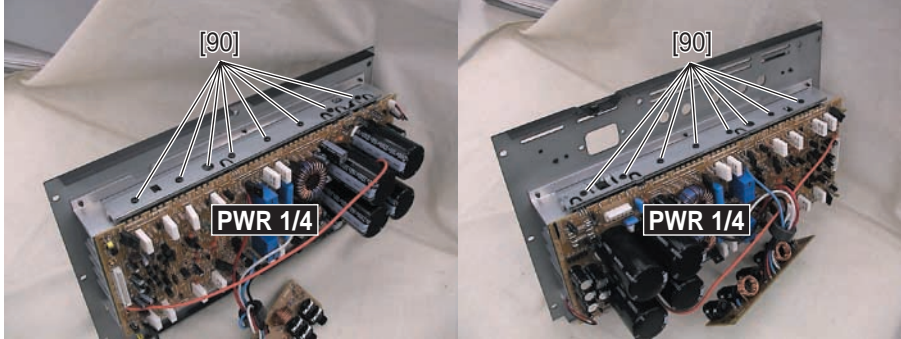
- [240]: Bind Head Screw A4.0X8 MFZN2BL (VP156800)

8. PWR Circuit Board 1/4
(Time required: about 13 min)

- 8-1. Remove the rear panel assembly. (See Procedure 5)
- 8-2. Remove the PWR circuit board 2/4. (See Procedure 6)
- 8-3. Remove the PWR circuit board 3/4. (See Procedure 7)
- 8-4. Remove the sixteen (16) screws marked [90] to remove the TR holder A and the TR holder B. (Fig.11)
- 8-5. Remove the six (6) screws marked [40]. The PWR circuit board 1/4 can then be removed. (Fig.12)

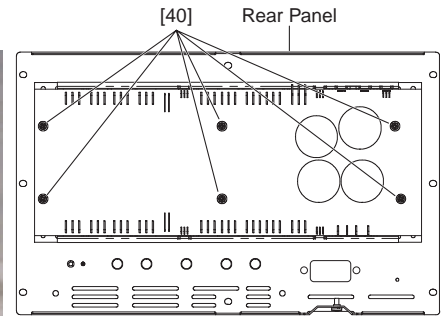
Upper Side View

Bottom Side View



(Fig. 11)

[90]: Bind Head Tapping Screw-B 3.0X12 MFZN2BL (VQ074600)



(Fig. 12)

[40]: Bind Head Screw SP 3.0X8 MFZN2Y (EG330290)

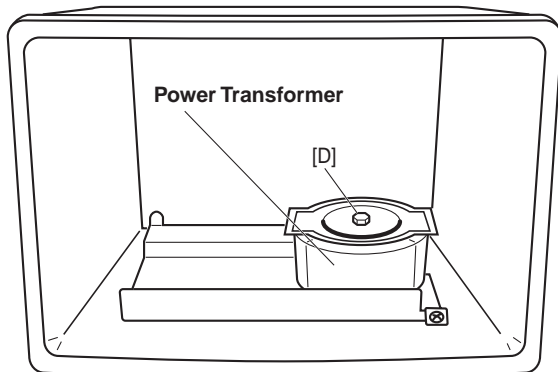
9. Fan (Time required: about 6 min)

- 9-1. Remove the rear panel assembly. (See Procedure 5)
- 9-2. Remove the two (2) screws marked [130]. The fan can then be removed. (Fig.8)

10. Power Transformer (Time required: about 4 min)

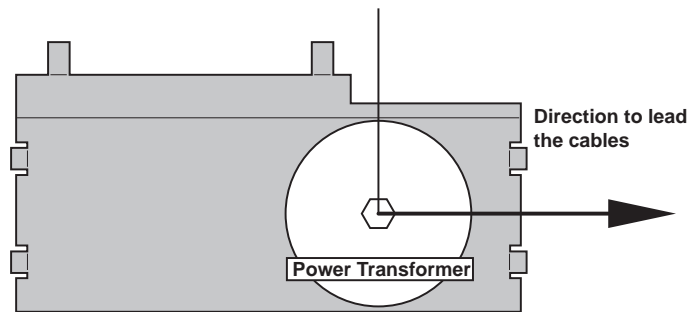
- 10-1. Remove the front panel assembly. (See Procedure 1)
- 10-2. Remove the bolt marked [D]. The power transformer can then be removed. (Fig.13)

Note: When reinstalling the power transformer, make sure to lead the cables to the direction shown in Fig.14. Leading them to unfit direction may cause hum noise on the system.



FRONT VIEW

(Fig. 13)

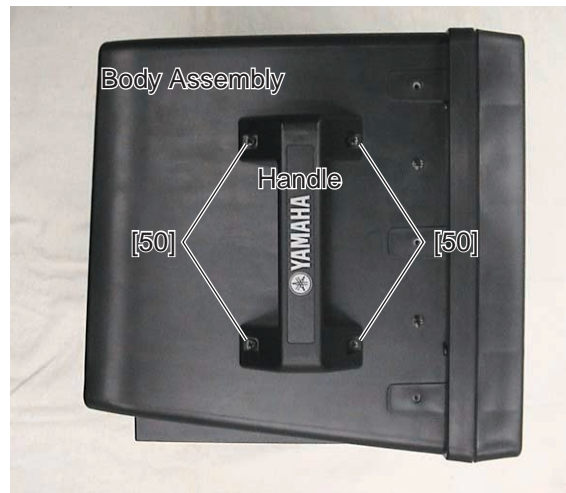


FRONT VIEW

(Fig. 14)

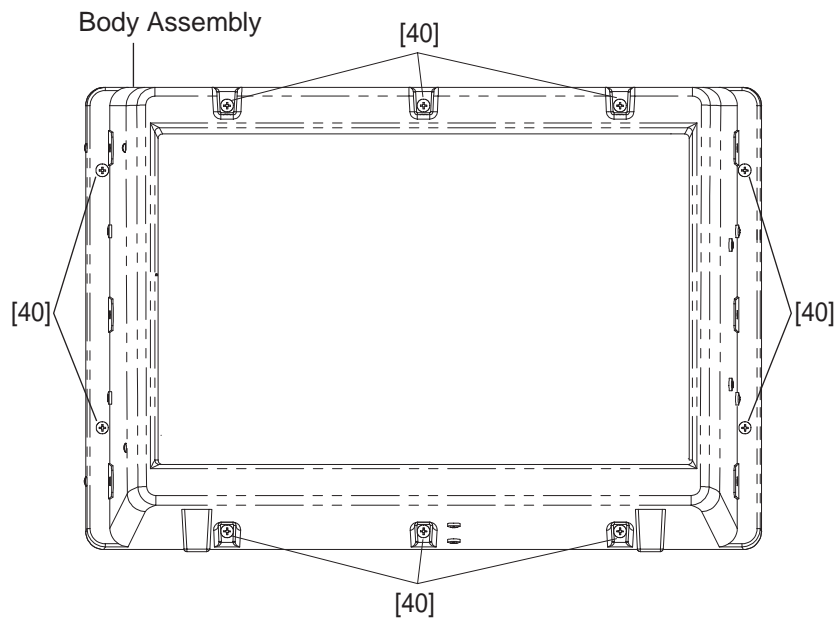
11. Front Frame (Time required: about 6 min)

- 11-1. Remove the front panel assembly. (See Procedure 1)
- 11-2. Remove the four (4) screws marked [50] to remove the handle assembly. (Fig.15)
- 11-3. Remove the ten (10) screws marked [40]. The front frame can then be removed. (Fig.16)



(Fig. 15)

[50]: Bind Head Screw 4.0X16 MFZN2BL (EG340110)



(Fig. 16)

[40]: Bind Head Tapping Screw-P 4.0X30 MFZN2BL (V8322700)

LSI PIN DESCRIPTION

● M30622MCA-XXXFP (X2416A00) CPU

DSP: IC109

PIN NO.	NAME	I/O	FUNCTION	PIN NO.	NAME	I/O	FUNCTION
1	P96/	I/O	CMOS 8Bit Input Output Port	41	P55/HOLD	I/O	CMOS 8Bit Input Output Port
2	P95/	I/O		42	P54/HLDA	I/O	CMOS 8Bit Input Output Port
3	P94/	I/O		43	P53/BCLK	I/O	CMOS 8Bit Input Output Port
4	P93/	I/O		44	P52/RD	I/O	CMOS 8Bit Input Output Port
5	P92/	I/O		45	P51/WRH/BHE	I/O	CMOS 8Bit Input Output Port
6	P91/	I/O		46	P50/WRL/MR	I/O	CMOS 8Bit Input Output Port
7	P90/	I/O		47	P47/CS3	I/O	CMOS 8Bit Input Output Port
8	BYTE	I	48	P46/CS2	I/O		
9	CN Vss	I	49	P45/ CS1	I/O		
10	P87/X CIN	I/O	50	P44/CS0	I/O		
11	P86/X COU	I/O	51	P43/A19	I/O		
12	RESET	I	52	P42/A18	I/O	CMOS 8Bit Input Output Port	
13	X OUT	O	53	P41/A17	I/O		
14	Vss		54	P40/A16	I/O		
15	X IN	I	55	P37/A15	I/O		
16	Vcc		56	P36/A14	I/O	CMOS 8Bit Input Output Port	
17	P85/NMI	I	57	P35/A13	I/O		
18	P84/INT2	I/O	58	P34/A12	I/O		
19	P83/INT1	I/O	59	P33/A11	I/O	CMOS 8Bit Input Output Port	
20	P82/INT0	I/O	60	P32/A10	I/O		
21	P81/TA4IN/U	I/O	61	P31/A9	I/O		
22	P80/TA4OUT/U	I/O	62	Vcc			CMOS 8Bit Input Output Port
23	P77/TA3IN	I/O	63	P30/A8(/-D7)	I/O		
24	P76/TA3OUT	I/O	64	Vss		CMOS 8Bit Input Output Port	
25	P75/TA2IN/W	I/O	65	P27/A7(D7/D6)	I/O		
26	P74/TA2OUT/W	I/O	66	P26/A6(D6/D5)	I/O		
27	P73/TA1IN/V	I/O	67	P25/A5(D5/D4)	I/O		
28	P72/CLK2/TA1OUT	I/O	68	P24/A4(D4/D3)	I/O	CMOS 8Bit Input Output Port	
29	P71/RXD2	I/O	69	P23/A3(D3/D2)	I/O		
30	P70/TXD2	I/O	70	P22/A2(D2/D1)	I/O		
31	P67/TXD1	I/O	71	P21/A1(D1/D0)	I/O	CMOS 8Bit Input Output Port	
32	P66/RXD1	I/O	72	P20/A0(D0/-)	I/O		
33	P65/CLK1	I/O	73	P17/D15/INT5	I/O		
34	P64/RTS1	I/O	74	P16/D14/INT4	I/O		
35	P63/TXD0	I/O	75	P15/D13/INT3	I/O	CMOS 8Bit Input Output Port	
36	P62/RXD0	I/O	76	P14/D12	I/O		
37	P61/CLK0	I/O	77	P13/D11	I/O		
38	P60/CTS0/RTS0	I/O	78	P12/D10	I/O		
39	P57/RDY/CLKOUT	I/O	79	P11/D9	I/O	CMOS 8Bit Input Output Port	
40	P56/ALE	I/O	80	P10/D8	I/O		

● YM3436DK (XG948E00) DIR2 (Digital Format Interface)

DSP: IC103

PIN NO.	NAME	I/O	FUNCTION	PIN NO.	NAME	I/O	FUNCTION
1	DAUX	I	Auxiliary input for audio data	23	RSTN	I	System reset input
2	HDLT	O	Asynchronous buffer operation flag	24	Vdda		VCO section power (+5V)
3	DOUT	O	Audio data output	25	CTLN	I	VCO control input N
4	VFL	O	Parity flag output	26	PCO	O	PLL phase comparison output
5	OPT	O	Fs x 1 Synchronous output signal for DAC	27	(NC)		
6	SYNC	O	Fs x 1 Synchronous output signal for DSP	28	CTLP	I	VCO control input P
7	MCC	O	Fs x 64 Bit clock output	29	Vssa		VCO section power (GND)
8	WC	O	Fs x 1 Word clock output	30	TSTN	I	Test terminal. Open for normal use
9	MCB	O	Fs x 128 Bit clock output	31	KM2	I	Clock mode switching input 2
10	MCA	O	Fs x 256 Bit clock output	32	KM0	I	Clock mode switching input 0
11	SKSY	I	Clock Synchronous control input	33	FS1	O	Channel status sampling frequency display output 1
12	XI	I	Crystal oscillator connection or external clock input	34	FS0	O	Channel status sampling frequency display output 0
13	XO	O	Crystal oscillator connector	35	CSM	I	Channel status output method selection
14	P256	O	VCO oscillating clock connection	36	EXTW	I	External synchronous auxiliary input word clock
15	LOCK	O	PLL lock flag	37	DDIN	I	EIAJ (AES/EBU) data input
16	Vss		Logic section power	38	LR	O	PLL word clock output
17	TC	O	PLL time constant switching output	39	Vdd		Logic section power (+5V)
18	DIM1	I	Data input mode selection	40	ERR	O	Data error flag output
19	DIM0	I	Data input mode selection	41	EMP	O	Channel status emphasis control code output
20	DOM1	I	Data output mode selection	42	CD0	O	3-wire type microcomputer interface data output
21	DOM0	I	Data output mode selection	43	CCK	I	3-wire type microcomputer interface clock input
22	KM1	I	Clock mode switching input 1	44	CLD	I	3-wire type microcomputer interface load input

● YSS910-S (XV988A00) DSP6 (Digital Signal Processor)

DPS: IC112

PIN NO.	NAME	I/O	FUNCTION	PIN NO.	NAME	I/O	FUNCTION	
1	Vdd		Power supply (3.3 V)	89	Vss		Ground	
2	Vss		Ground	90	DB13	I/O	Parallel data bus	
3	XI	I	System master clock input (60 MHz or 30 MHz)	91	DB14	I/O		
4	XO	O	System master clock output (High or 30 MHz)	92	DB15	I/O		
5	Vdd		Power supply (5 V)	93	DB16	I/O		
6	/SYNCl	I	Sync. signal input	94	DB17	I/O		
7	/SYNCO	O	Sync. signal output	95	DB18	I/O		
8	Vdd		Power supply (5 V)	96	DB19	I/O		
9	CKI	I	System clock input (30 MHz)	97	DB20	I/O	Parallel data bus	
10	CKO	O	System clock output (30 MHz)	98	DB21	I/O		
11	CKSEL	I	System master clock select (0: 60 MHz, 1: 30 MHz)	99	DB22	I/O		
12	Vss		Ground	100	Vss			Ground
13	MCKS	I	Serial I/O master clock input (128 x Fs)	101	Vdd		Power supply (3.3 V)	
14	/SSYNc	I	Serial I/O Sync. signal output	102	DB23	I/O	Parallel data bus	
15	/IC	I	Initial clear	103	DB24	I/O		
16	/TEST	I	Test mode setting (0: Test, 1: Normal)	104	DB25	I/O		
17	BTYP	I	Data bus type select (0: 8 bit, 1: 16 bit)	105	DB26	I/O		
18	/IRQ	O	IRQ output	106	DB27	I/O		
19	TRIG	I/O	Trigger signal input/output	107	DB28	I/O		
20	Vdd		Power supply (5 V)	108	DB29	I/O		
21	Vss		Ground	109	DB30	I/O	Parallel data bus	
22	/CS	I	chip select signal input	110	DB31	I/O		
23	/WR	I	Write signal input	111	TIMO/DBOB	I/O	Timing signal output/ Parallel data bus output/ input	
24	/RD	I	Read signal input	112	Vss		Ground	
25	CA7	I/O	Address bus of internal register	113	Vdd		Power supply (5 V)	
26	CA6	I/O						
27	CA5	I/O						
28	CA4	I/O						
29	CA3	I/O						
30	CA2	I/O						
31	CA1	I/O						
32	Vss		Ground	114	DA00	I/O	Memory data bus	
33	Vdd		Power supply (3.3 V)	115	DA01	I/O		
34	CD15	I/O	Data bus of internal register	116	DA02	I/O		
35	CD14	I/O						
36	CD13	I/O						
37	CD12	I/O						
38	CD11	I/O						
39	CD10	I/O						
40	CD09	I/O						
41	CD08	I/O	Memory data bus	117	DA03	I/O		
42	CD07	I/O						
43	CD06	I/O						
44	Vss			Ground	118	DA04	I/O	
45	Vdd			Power supply (3.3 V)	119	DA05	I/O	
46	Vdd			Power supply (5 V)	120	DA06	I/O	
47	CD05	I/O		Data bus of internal register	121	DA07	I/O	
48	CD04	I/O						
49	CD03	I/O						
50	CD02	I/O						
51	CD01	I/O						
52	CD00	I/O						
53	/WAIT	O	WAIT output		122	Vss		Ground
54	Vss		Ground	123	DA08	I/O	Memory data bus	
55	SI0	I	Serial data input	124	DA09	I/O		
56	SI1	I						
57	SI2	I						
58	SI3	I						
59	SI4	I						
60	SI5	I						
61	SI6	I						
62	SI7	I	Memory data bus	125	DA10	I/O		
63	Vss			Ground	126	DA11	I/O	
64	Vdd			Power supply (5 V)	127	DA12	I/O	
65	SO0	O		Serial data output	128	DA13	I/O	
66	SO1	O						
67	SO2	O						
68	SO3	O						
69	SO4	O						
70	SO5	O						
71	SO6	O						
72	SO7	O	Memory data bus	129	DA14	I/O		
73	Vss			Ground	130	DA15	I/O	
74	DB00	I/O		Parallel data bus	131	Vss		Ground
75	DB01	I/O						
76	DB02	I/O						
77	DB03	I/O						
78	DB04	I/O						
79	DB05	I/O						
80	DB06	I/O						
81	DB07	I/O	Memory address (SRAM, PSRAM, DRAM)	132	Vdd		Power supply (3.3 V)	
82	DB08	I/O						
83	DB09	I/O						
84	DB10	I/O						
85	DB11	I/O						
86	DB12	I/O						
87	Vdd			Power supply (5 V)	133	(n.c)		Not used
88	Vdd		Power supply (3.3 V)	134	Vdd		Power supply (5 V)	
				135	DA16	I/O	Memory data bus	
				136	DA17	I/O		
				137	DA18	I/O		
				138	DA19	I/O		
				139	DA20	I/O		
				140	DA21	I/O		
				141	DA22	I/O		
				142	DA23	I/O	Memory data bus	
				143	Vss			Ground
				144	DA24	I/O		
				145	DA25	I/O		
				146	DA26	I/O		
				147	DA27	I/O		
				148	DA28	I/O		
				149	DA29	I/O	Memory data bus	
				150	DA30	I/O		
				151	DA31	I/O		
				152	Vdd			Power supply (5 V)
				153	Vss			Ground
				154	A00	O		Memory address (SRAM, PSRAM, DRAM)
				155	A01	O		
				156	A02	O		
				157	A03	O		
				158	A04	O		
				159	A05	O		
				160	A06	O		
				161	A07	O	Memory address (SRAM, PSRAM)	
				162	A08	O		
				163	A09	O		
				164	Vss			Ground
				165	Vdd			Power supply (3.3 V)
				166	A10	O		Memory address (SRAM, PSRAM, DRAM)
				167	A11	O		
				168	A12	O	Memory address (SRAM, PSRAM)	
				169	A13	O		
				170	A14	O		
				171	A15/RAS	O		Memory address (SRAM, PSRAM), /RAS (DRAM)
				172	A16/CAS	O		Memory address (SRAM, PSRAM), /CAS (DRAM)
				173	A17/CE	O		Memory address (SRAM), /CE (PSRAM)
				174	/WE	O		Memory write enable signal
				175	/OE	O	Memory output enable signal	
				176	Vdd		Power supply (5 V)	

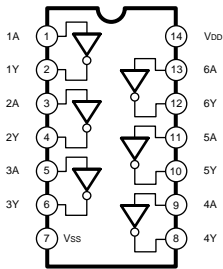
● **AK4522VF-E2 (XW008A00) CODEC (CMOS A/D & D/A Converter)**

DSP: IC108

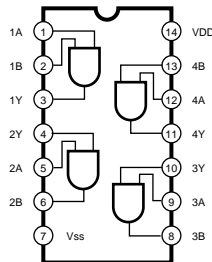
PIN NO.	NAME	I/O	FUNCTION	PIN NO.	NAME	I/O	FUNCTION
1	VREFH	I	Positive voltage reference input , VA Used as a positive voltage reference by ADC & DAC, VREFH is connne externally to filtered VA.	13	SDTO	O	Audio serial data output
2	AINR+	I	Rch analog positive input	14	SMUTE	I	Soft muteS When this pin goes H, soft mute cycle is initiated. When returning L, the output mute releases.
3	AINR-	I	Rch analog negative input	15	DEM0	I	De-emphasis frequency select
4	AINL+	I	Lch analog positive input	16	DEM1	I	Master clock Input/X'tal input
5	AINL-	I	Lch analog negative input	17	MCKI	I	Digital power supply
6	VA	-	Analog power supply	18	VD	-	Digital ground
7	AGND	-	Analog ground	19	DGND	-	Reset
8	DIF0	I	Audio data interface format	20	/PD	I	Master clock select (Internal biased pin)
9	DIF1	I		21	CMODE	I	H: 384fs, L: 256fs, NS: 512fs
10	LRCK	I	Input/Output channel clock	22	AOUL	O	Lch analog output
11	SCLK	I	Audio serial data clock	23	AOUL	O	Rch analog output
12	SDTI	I	Audio serial data input	24	VCOM	O	Common voltage output , VA/2

■ **IC BLOCK DIAGRAM**

● **74HCU04DT (XZ110A00)**
INVERTER DSP: IC104

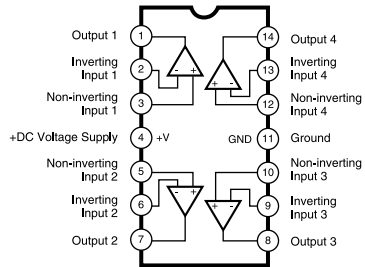


● **74HC08DT(XZ108A00)**
AND DSP: IC111



● **NJM2060M(TE2)OP (XM560A00)**
Quad Operational Amplifier

MIX68: IC905, IC906, IC907, IC908
IC909, IC910
MIX88: IC905, IC906, IC907, IC908
IC909, IC910



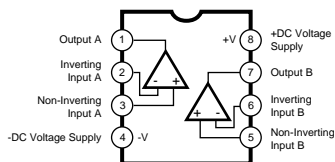
● **NJM2068MD-T1 (XJ553A00)**
● **NJM4558MT-1 (IG103520)**
● **TL072CPSR (XV423A00)**

Dual Operational Amplifier

DSP-SPX1: IC105, IC106, IC107

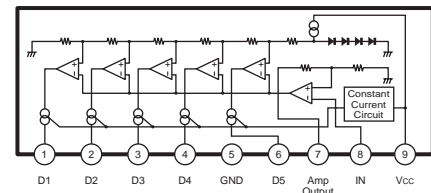
MIX68: IC101, IC102, IC103, IC501
IC502, IC503, IC504, IC505
IC701, IC702, IC703, IC704
IC801, IC802, IC803, IC901
IC902, IC903, IC904, IC914
IC915, IC916, IC917, IC918
IC919, IC920, IC921, IC922
IC923

MIX88: IC101, IC102, IC103, IC301
IC302, IC303, IC501, IC502
IC503, IC504, IC505, IC701
IC702, IC703, IC704, IC801
IC802, IC803, IC901, IC902
IC903, IC904, IC914, IC915
IC916, IC917, IC918, IC919
IC920, IC921, IC922, IC923



● **LB1403N (XZ348A00)**
LED Driver

MIX68: IC911, IC912, IC913
MIX88: IC911, IC912, IC913

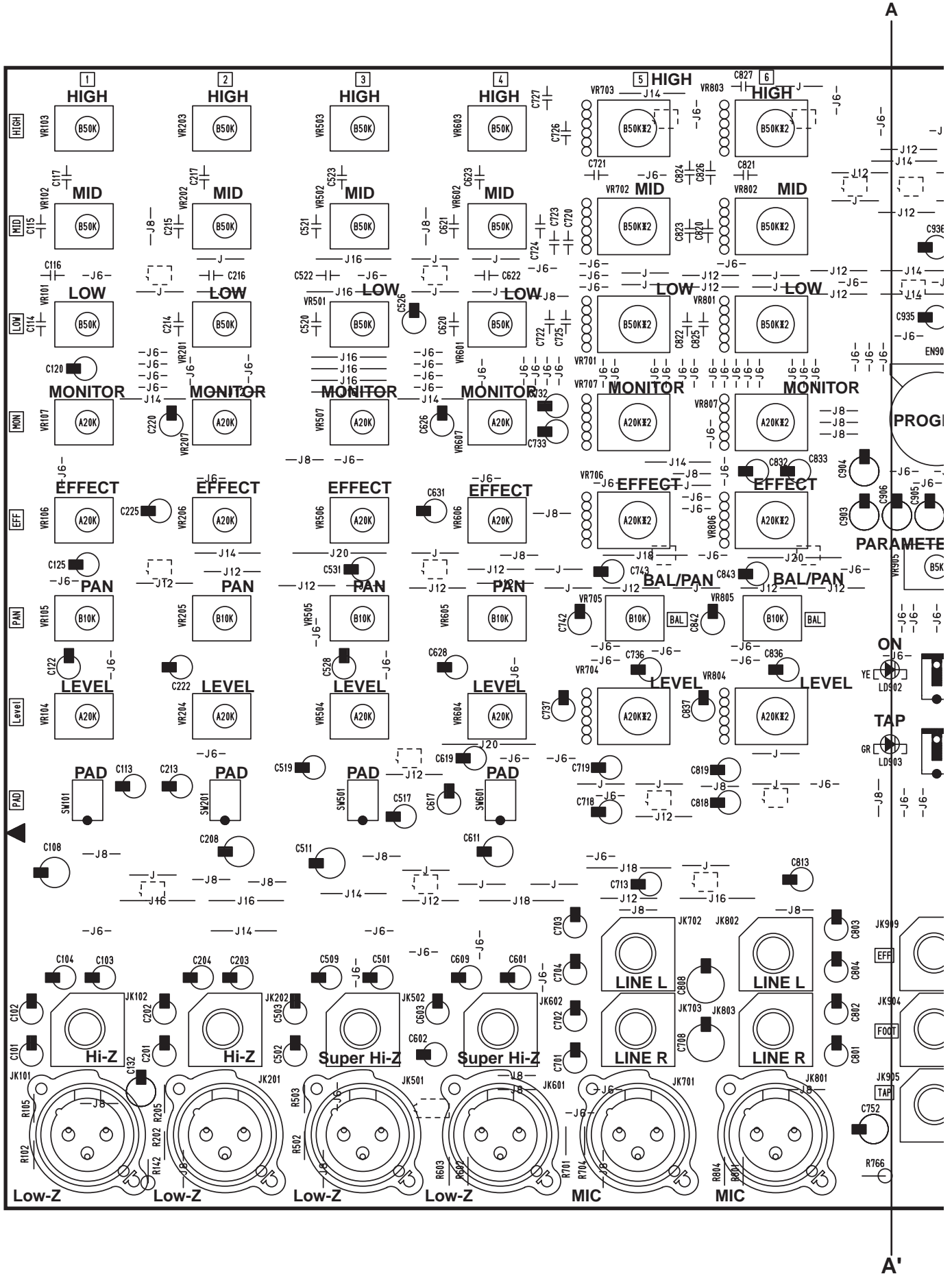


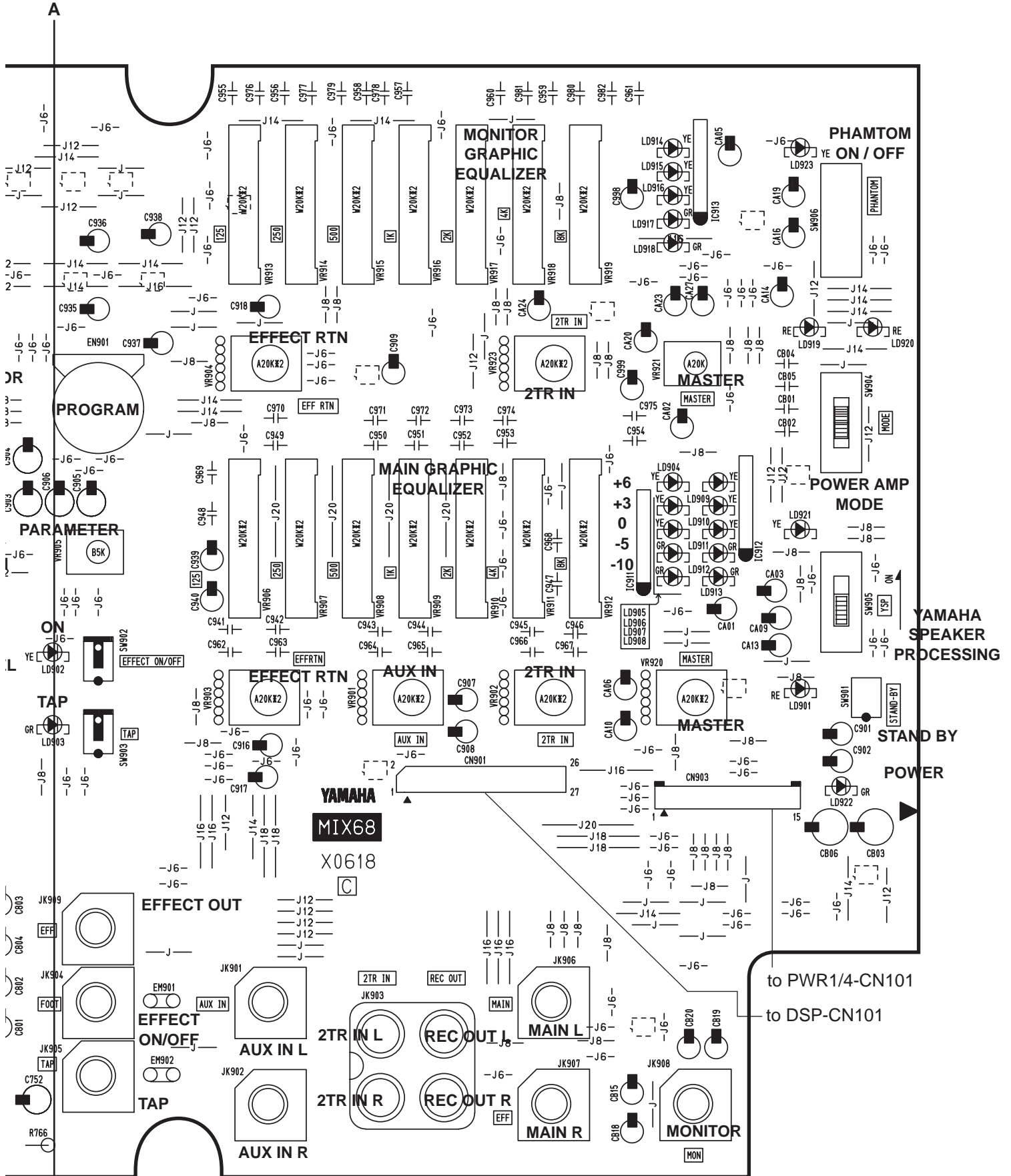
■ CIRCUIT BOARDS

■ CONTENTS

MIX68 CIRCUIT BOARD (COMPONENT SIDE)	24
MIX68 CIRCUIT BOARD (PATTERN SIDE)	26
MIX88 CIRCUIT BOARD (COMPONENT SIDE)	28
MIX88 CIRCUIT BOARD (PATTERN SIDE)	30
DSP CIRCUIT BOARD (COMPONENT SIDE)	32
DSP CIRCUIT BOARD (PATTERN SIDE)	33
PWR 1/4 CIRCUIT BOARD (COMPONENT SIDE)	34
PWR 2/4 CIRCUIT BOARD (COMPONENT SIDE)	36
PWR 3/4 CIRCUIT BOARD (COMPONENT SIDE)	36
PWR 4/4 CIRCUIT BOARD (COMPONENT SIDE)	36

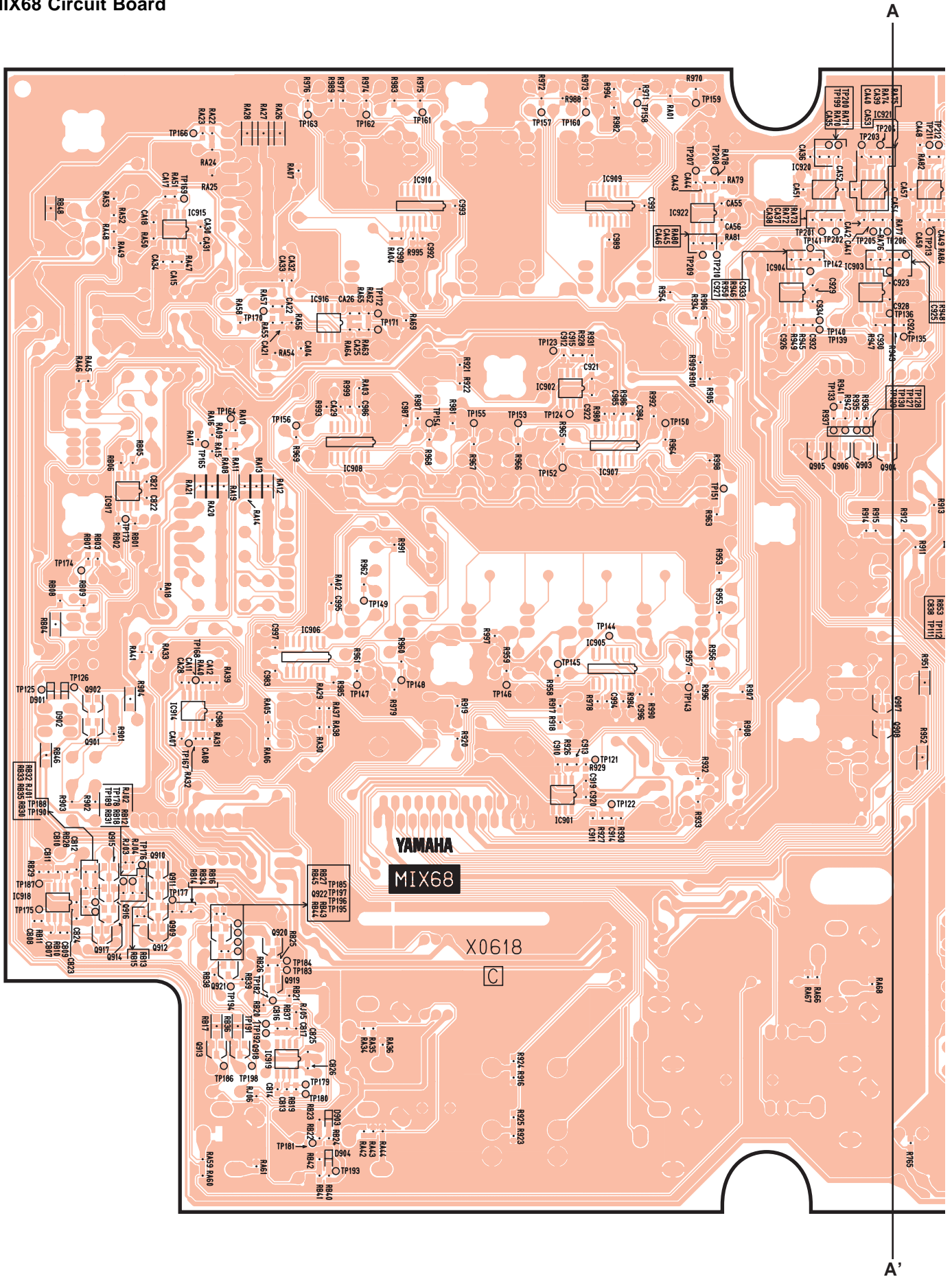
• MIX68 Circuit Board

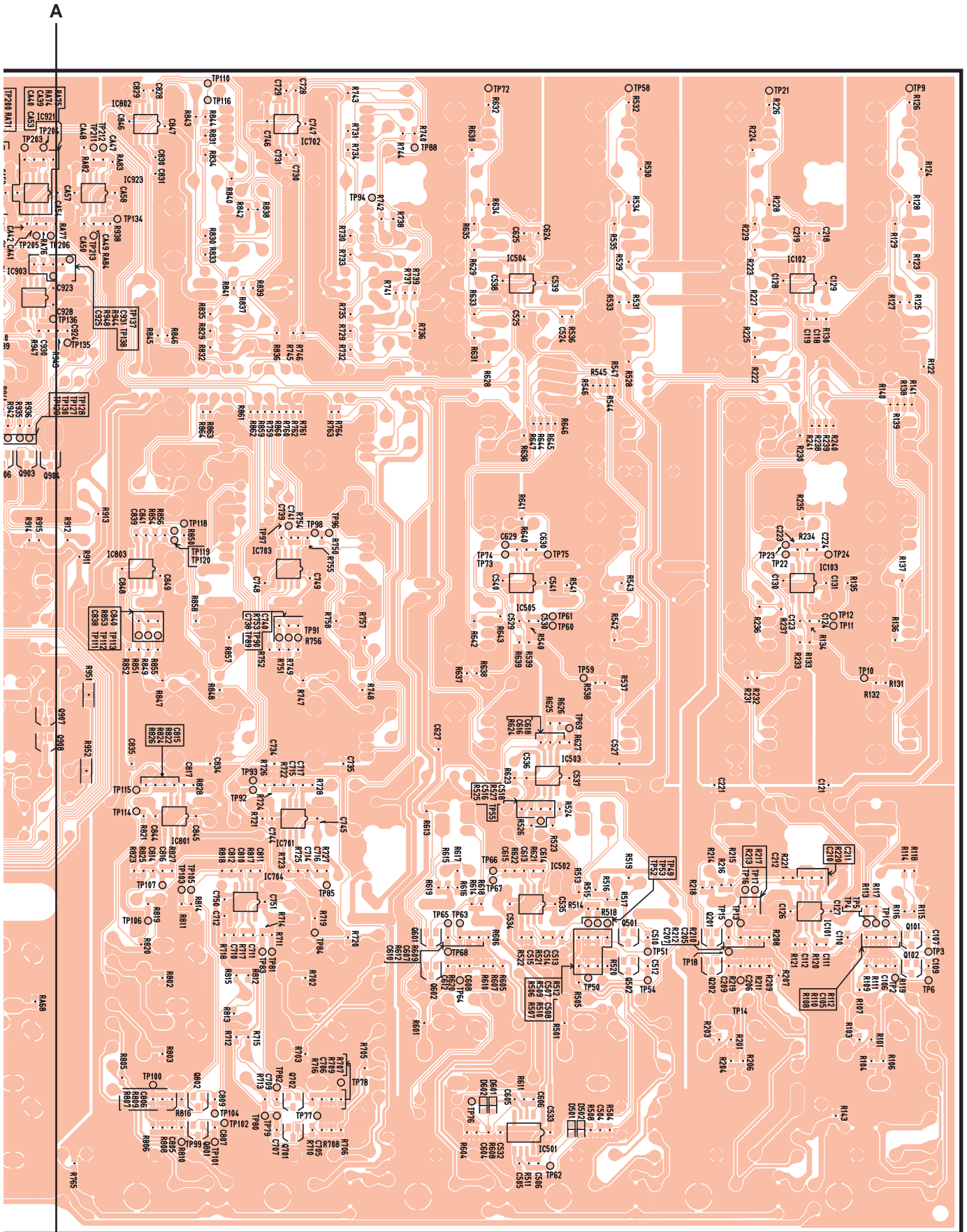




Component side

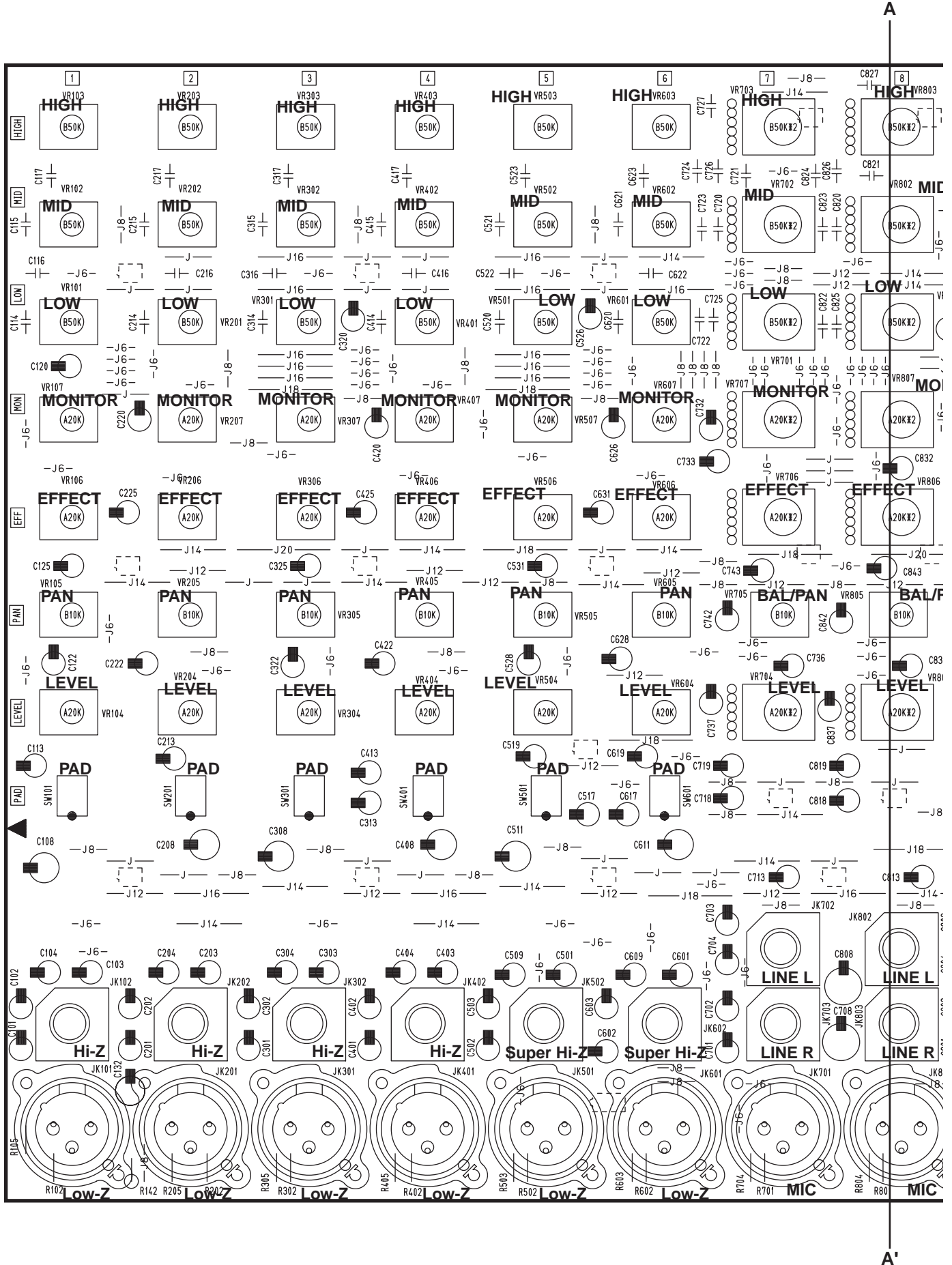
• MIX68 Circuit Board



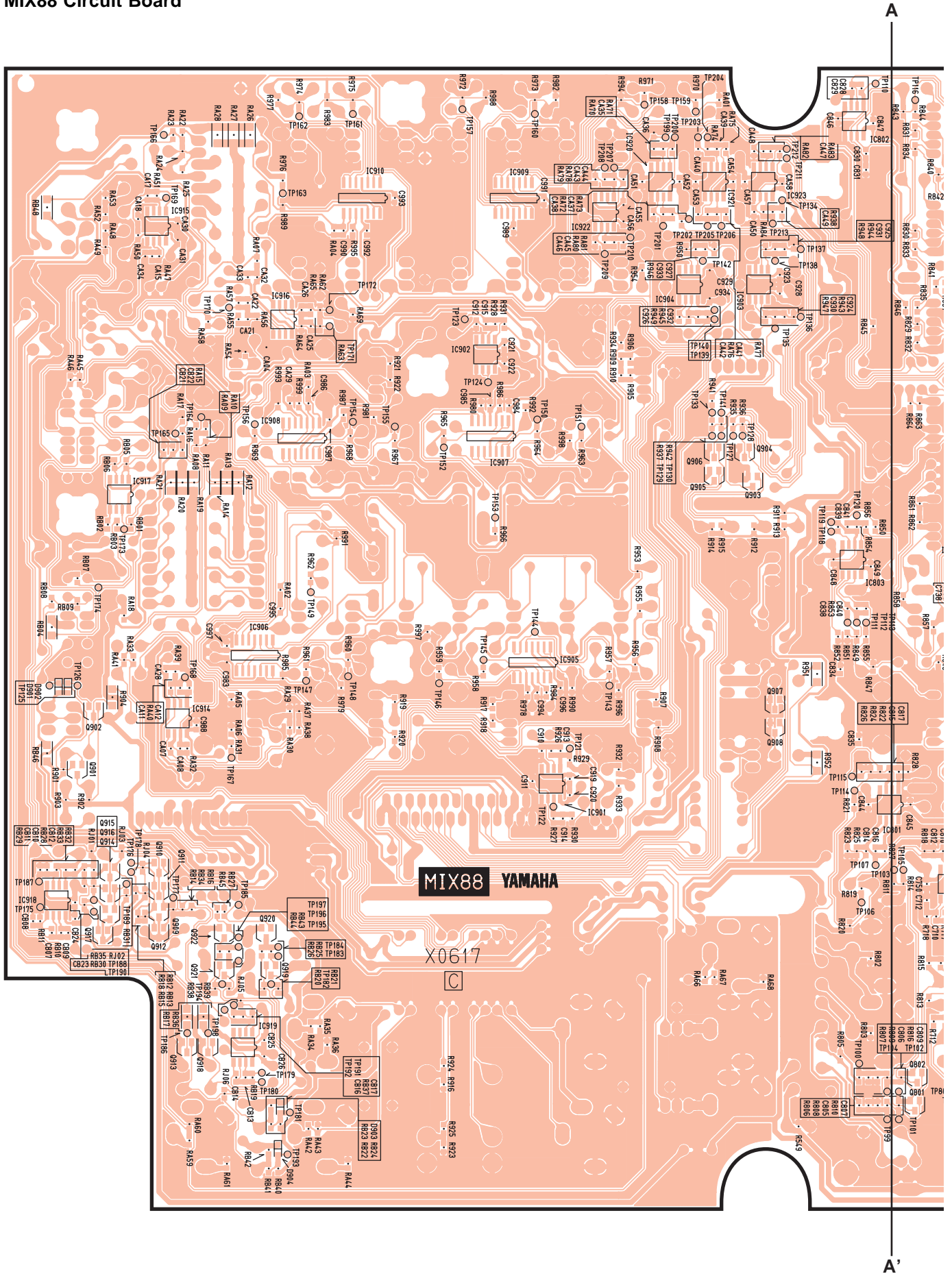


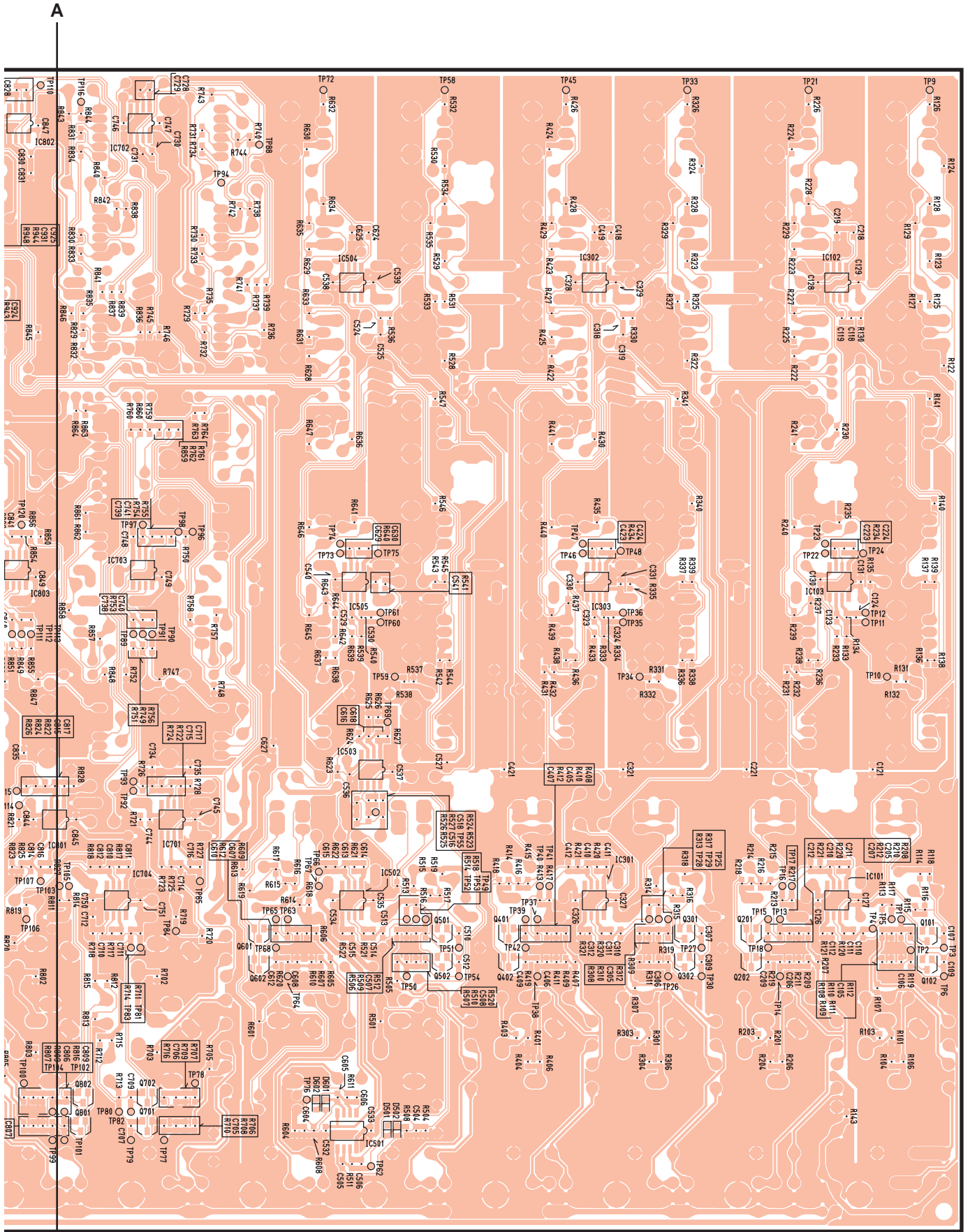
Pattern side

• MIX88 Circuit Board



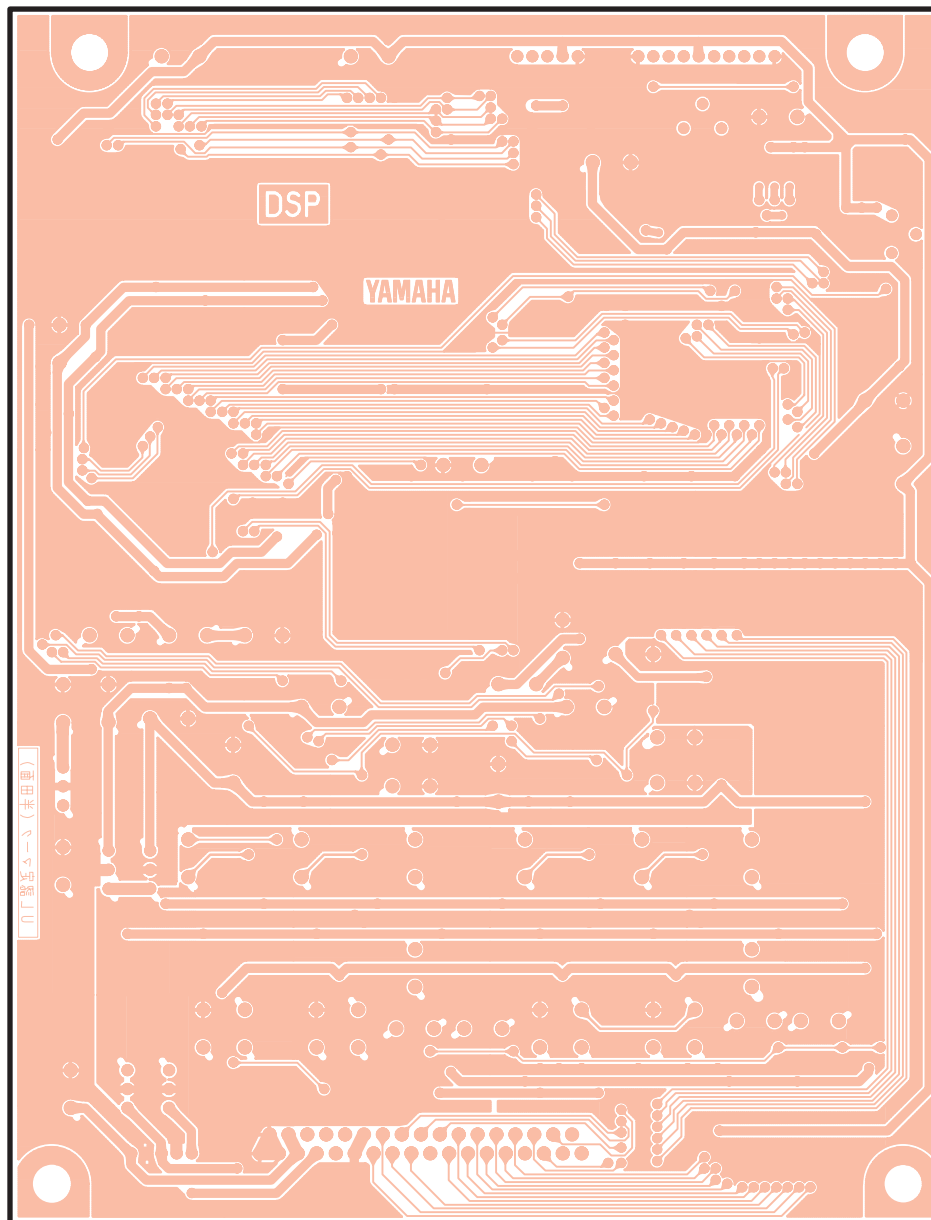
• MIX88 Circuit Board





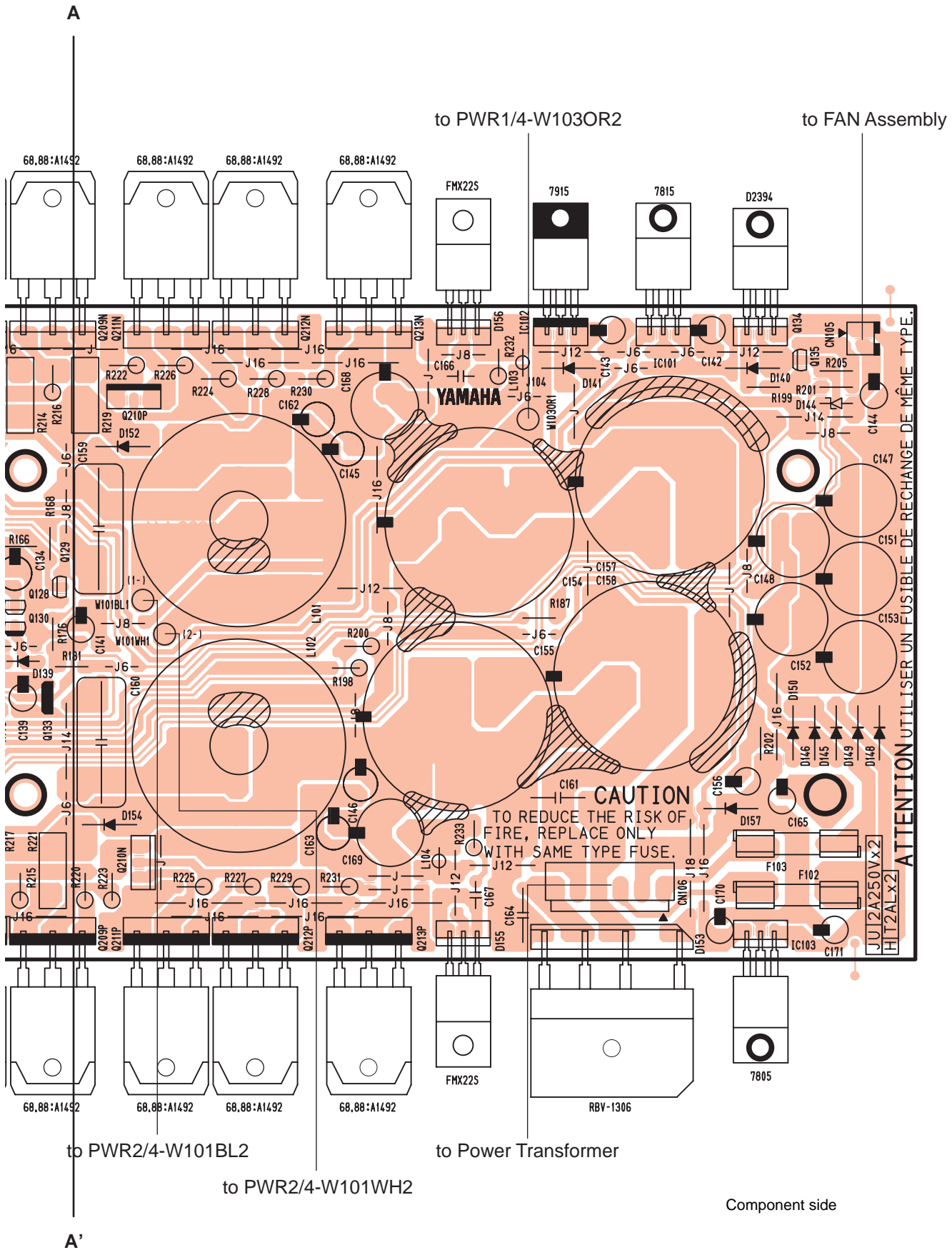
Pattern side

• DSP Circuit Board



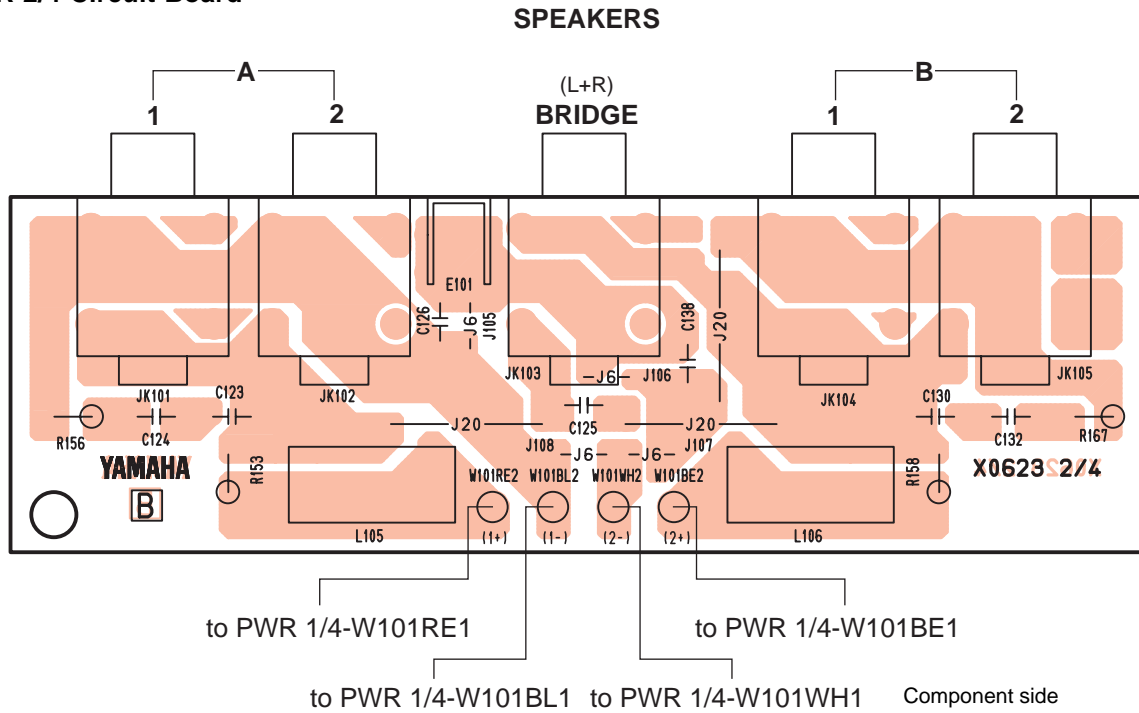
Pattern side

3NA-V826720

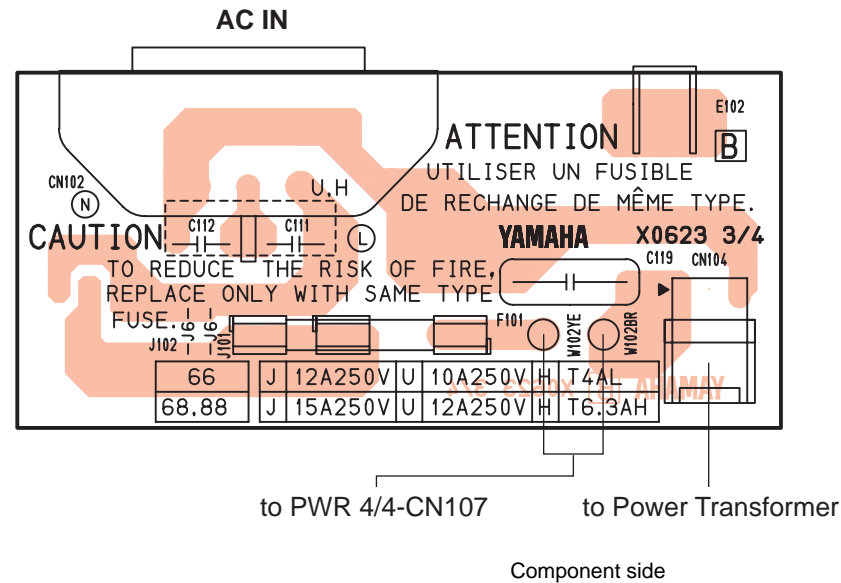


A' 3NA-V826900

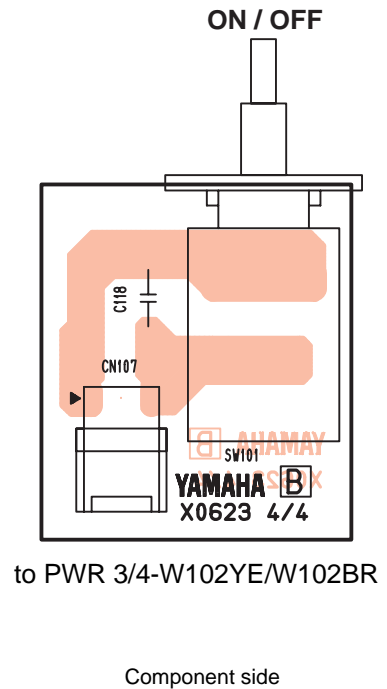
• PWR 2/4 Circuit Board



• PWR 3/4 Circuit Board



• PWR 4/4 Circuit Board



- PWR2/4: 3NA-V826900
- PWR3/4: 3NA-V826900
- PWR4/4: 3NA-V826900

■ INSPECTIONS

0. PREPARATION

- (1) Mesuring instruments
- Oscillator (Ballance output type, Output impedance 150Ω)
 - Oscilloscope (Input impedance 100kΩ)
 - Level meter (Input impedance 100kΩ)
 - Distortion Meter

- (2) Notes for mesuring
- Noise level must be mesured by using DIN AUDIO FILTER.
 - 0dB is equal to 0.775V.

1. Power Indicator and Fan Check

Confirm that the power indicator LED lights up while the power is ON.

Besides, confirm that the fan is rotating at low speed.

2. Mixer Check

2.1 Preparation

- Except otherwise indicated, proceed as follows.
Input signal must be 1kHz sine curve.
Output impedance of signal source must be 150Ω.
Connect the load of 10kΩ to each output terminal.

- Set each control as follows.

CH INPUT (1-4: EMX68S / 1-6: EMX88S)

EQ (HIGH, MID, LOW) level control:	CENTER
MONITOR level control:	MAX
EFFECT level control:	MAX
PAN:	CENTER
LEVEL control:	MAX
PAD switch:	OFF

ST CH INPUT (5-6: EMX68S / 7-8: EMX88S)

EQ (HIGH, MID, LOW) level control:	CENTER
MONITOR level control:	MAX
EFFECT level control:	MAX
BAL/PAN:	CENTER
LEVEL control:	MAX

DIGITAL EFFECT

PROGRAM select switch:	16
PARAMETER control:	MIN
DIGITAL EFFECT ON switch:	OFF
TAP switch:	OFF

MAIN(L, R)

GRAPHIC EQUALIZER (7 band) fader:	CENTER
EFFECT RTN level control:	MAX
AUX IN:	MAX
2TR IN:	MAX
MASTER level control:	MAX

MONITOR

GRAPHIC EQUALIZER (7 band) fader: CENTER
 EFFECT RTN level control: MAX
 2TR IN: MAX
 MASTER level control: MAX

PHANTOM switch: OFF
 POWER AMP switch: MAIN (L-R)
 YAMAHA SPEAKER PROCESSING switch: OFF
 STAND-BY switch: OFF

2.2 Gain Check

On condition of 2.1, confirm that the output level of each terminal meets the table 2.2-1~2.2-4.

Table 2.2-1 INPUT TERMINALS [CH1-2: EMX68S / 1-4: EMX88S] [unit: dBs]

INPUT	INPUT LEVEL	MAIN OUT(L,R)	MONITOR OUT	EFFECT OUT	REC OUT
Low-Z	-62	+1±2	+4±2	+4±2	-16.8±2
	-32 (PAD ON)	+1±2	-	-	-
Hi-Z	-52	+1±2	-	-	-
	-22 (PAD ON)	+1±2	-	-	-

Table 2.2-2 INPUT TERMINALS [CH3-4: EMX68S / 5-6: EMX88S] [unit: dBs]

INPUT	INPUT LEVEL	MAIN OUT(L,R)	MONITOR OUT	EFFECT OUT	REC OUT
Low-Z	-62	+1±2	+4±2	+4±2	-16.8±2
	-32 (PAD ON)	+1±2	-	-	-
Super Hi-Z	-42	+1±2	-	-	-
	-12 (PAD ON)	+1±2	-	-	-

Table 2.2-3 INPUT TERMINALS [CH5-6: EMX68S / 7-8: EMX88S] [unit: dBs]

INPUT	INPUT LEVEL	MAIN OUT(L,R)	MONITOR OUT	EFFECT OUT
MIC	-62	+1±2	+7±2	+7±2
LINE L	-22	+1±2	+7±2	+7±2
LINE R	-22	+1±2	+1±2	+1±2

Table 2.2-4 INPUT LEVEL [AUX IN, 2TR IN] [unit: dBs]

INPUT	INPUT LEVEL	MAIN OUT(L,R)	MONITOR OUT
AUX IN	-22	+4±2	-
2TR IN	-22	+1.8±2	+1.8±2

2.3 Frequency Characteristic Check

At each terminal of the Table 2.2-1~2.2-4, confirm that the output level for 20Hz, 20kHz signal are within +1, -3dB from the level for 1kHz signal.

2.4 EQ Response Characteristic Check

On condition of 2.1, set the LOW, MID, HIGH controls according to the table 2.4-1, and measure the output level of MAIN OUTPUT.

Then confirm that output level variations from center click position meet the table 2.4-1.

When output level does not meet the table, change the input frequency until the output level meets the table.

If the frequency variation is within $\pm 20\%$ of the rated value, the result can be regarded as OK.

Table 2.4-1 [unit: dB]

EQ	VR Setting	INPUT FREQUENCY	RANGE OF VARIATION
HIGH	MAX	10kHz	+12 \pm 2
	MIN		-12 \pm 2
MID	MAX	2.5kHz	+14 \pm 2
	MIN		-14 \pm 2
LOW	MAX	100Hz	+12 \pm 2
	MIN		-12 \pm 2

2.5 GEQ Response Characteristic Check

On condition of 2.1, set the GEQ faders according to the table 2.5-1, and measure the output levels of MAIN OUTPUT and MONITOR OUTPUT.

Then confirm that output level variations from center click position meet the table 2.5-1.

When the output level does not meet the table, change the input frequency until the output level meets the table.

If the frequency variation is within $\pm 20\%$ from the rated value, the result can be regarded as OK.

Table 2.5-1 [unit: dB]

		125	250	500	1k	2k	4k	8k	
INPUT FREQUENCY		125Hz	250Hz	500Hz	1KHz	2KHz	4KHz	8KHz	
Variations	(for fader MAX)	+12 \pm 2							
	(for fader MIN)	-12 \pm 2							

2.6 LED Meter Check

When the output level of MAIN OUT and MONITOR OUT meets the Table 2.6-1, confirm that the corresponding LED meter starts to light up.

Table 2.6-1 [unit: dBs]

LED	+6	+3	0	-5	-10
OUTPUT LEVEL	+10 \pm 2	+7 \pm 2	+4 \pm 2	-1 \pm 2	-6 \pm 2.5

2.7 Distortion Rate Check

Set the INPUT and MASTER volume for each terminal of the table 2.2-1~2.2-4 to nominal position.

Then, confirm that the distortion rate is within 0.3% when the output level is +14dBs. (except REC OUT)

2.8 Maximum Output Level Check

On condition of 2.7, measure the output levels of MAIN OUT, MONITOR OUT, EFFECT OUT.

Then, confirm that the output level of +20dBs can be gained with the distortion rate less than 1%.

2.9 EIN Check

Note: This measurement should be performed by using DIN AUDIO FILTER.

On condition of 2.1, set the LEVEL knob for measuring channel to maximum, set the PAN or BAL/PAN knob to the left limit and set the LEVEL knob for other channels to minimum.

Connect the 150Ω load between the Low-Z and the MIC of input channel, and confirm that the noise level of MAIN OUT is less than -58dB.

However, less than -56dB as for CH3, 4 (EMX68S) / CH5, 6 (EMX88S).

If noise level is more than the rated value, find the noise level converted from the input level for each channel.

Then confirm that the noise level is less than -124dB as for CH1, 2, 5, 6 (EMX68S) / CH1-4, 7, 8 (EMX88S), and less than -122dB as for CH3, 4 (EMX68S) / CH5, 6(EMX88S).

2.10 Remaining Noise Check

On condition of 2.1, set the LEVEL knobs of all input channels to minimum.

Next, set the MASTER knobs of MAIN and MONITOR to maximum or minimum, and measure the noise level of MAIN OUT, MONITOR OUT, and EFFECT OUT. (without MASTER level control)

Then, confirm that the noise levels are less than the values shown in the table 2.10-1.

Table 2.10-1 [unit: dB]

MASTER VR	MAIN OUTPUT(L,R)	MONITOR OUTPUT	EFFECT OUT
MAX	-73	-69	-84
MIN	-94	-94	-

2.11 PHANTOM Check

Connect the 2.7kΩ load between the pin1 and pin2 of Low-Z or MIC, and short-circuit the pin2 and pin3 of them.

Then, confirm that the load voltage is 10±3V when the PHANTOM switch is ON.

2.12 DIGITAL EFFECT Check

- Confirm that the ON LED lights up when the DIGITAL EFFECT ON switch is ON, and that the LED goes out when the switch is OFF.
- Set the PROGRAM select switch to 16, PARAMETER VR to minimum, and EFFECT RTN control of MONITOR to maximum. At CH1, set the MONITOR level control to minimum, EFFECT level control to maximum, LEVEL control VR to maximum, and input -60dBs signal into Low-Z terminal. Then confirm that the output level is more than 0dBs when the DIGITAL EFFECT ON switch is ON.

2.13 STAND-BY Check

On condition of 2.1, apply the signal into CH1 Low-Z terminal so that each output level of MAIN (L, R) OUT, MONITOR OUT, EFFECT OUT becomes +14dB.

Confirm that the output level becomes less than -46dB when the STAND-BY switch is turned on.

Besides, confirm that the LED blinks.

2.14 Stability Check

Note: This measurement should be performed with a load resistance connected to power amplifier output.

- At each input terminal, connect 10pF~0.1μF capacitor in parallel to the load resistance, and confirm that the system works normally without oscillation etc.
- Set all volume knobs and EQ faders to maximum, and confirm that the system works normally. (Especially, does not oscillate when the EQ HIGH is set to maximum)

3. Power Amplifier Check

3.1 For the case that the POWER AMP switch is 'MAIN(L+R)-MON' or 'MAIN L-MAIN R'

3.1.1 Preparation

- INPUT terminal: CH 7 LINE L(EMX88S) / CH 5 LINE L(EMX68S)
- POWER AMP switch: MAIN L-MAIN R
- OUTPUT terminal: SPEAKERS A1, SPEAKERS B1
- Load Resistance: 4Ω (more than 400W)
Except otherwise indicated, the load resistance should be connected only for the power amplifier check.
- Set the LEVEL control of CH1-4, 6 (EMX68S) and CH1-6, 8 (EMX88S) to minimum.
- Except the above, same as the setting of 2.1.

3.1.2 Power ON Mute Check

Turn on the power and confirm that the mute system is released and the relay is switched on after 2.5 ± 1 seconds.

3.1.3 Output Terminal D.C. Voltage Check

Ground input terminal and confirm that the D.C. voltage of output terminal is 0 ± 100 mV.

3.1.4 Gain Check

- (1) Apply -26dBs signal into the input terminal and confirm that the output level of SPEAKERS A1, B2 is 20.0 ± 2.0 dBs.
- (2) Set the POWER AMP switch to 'MAIN(L+R)-MON', perform the same measurement, and confirm that the output levels are as follows.
SPEAKERS A1, A2: 23.0 ± 2.0 dBs
SPEAKERS B1, B2: 26.0 ± 2.0 dBs

3.1.5 Frequency Response Check

- YAMAHA SPEAKERS PROCESSING Switch OFF
Apply -26dBs signal into input terminal, and confirm that the output level for 20Hz, 20kHz signal are within +1, -3dB from the level for 1kHz signal.
- YAMAHA SPEAKERS PROCESSING Switch ON
Apply 70Hz / -26dB signal into input terminal, and confirm that the output level is within 6.5 ± 2 dB from the level for 1kHz input with YAMAHA SPEAKERS PROCESSING switch OFF.
Besides, confirm that the LED lights up when YAMAHA SPEAKERS PROCESSING switch is ON and that LED goes out when the switch is OFF.

3.1.6 Harmonic Distortion Rate Check

Note: This measurement should be finished in 30 seconds.

- Apply 1kHz signal into input terminal, and confirm that output level of $400\text{W}/4\Omega$ (34.3dBs) can be gained with harmonic distortion rate less than 0.5%.
- Apply 20Hz, 1kHz and 20kHz signal into input terminal, and confirm that harmonic distortion rate is less than 0.5% as for 20Hz and 1kHz, less than 0.7% as for 20kHz when output level of $200\text{W}/4\Omega$ (31.2dBs) can be gained.

3.1.7 Remaining Noise Check

Set the MASTER control of MAIN and MONITOR to minimum, and confirm that the noise level of output terminal is less than -65dB.

Note: Take care not to be affected by inductive noise.

This measurement should be performed by using DIN AUDIO FILTER.

3.1.8 Stability Check

(1) Connect 10pF~0.47μF capacitor in parallel to the 4Ω load resistance and apply rectangle signal of 10kHz/-26dBs.

Then, confirm that overshoot and ringing are as follows.

Overshoot: $V_p/V_o \leq 1.8$

Ringing: within 5 waves

(2) Connect 10μH~0.47H inductor in series to the 4Ω load resistance and apply rectangle signal of 10kHz/-26dBs.

Then, confirm that overshoot and ringing meet the same condition as (1).

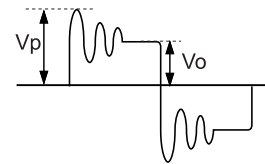
(3) Remove the 4Ω load resistance and connect only 10pF~0.47μF capacitor as load, and apply rectangle signal of 10kHz/-26dBs.

Then confirm that the system does not oscillate.

Besides, confirm that overshoot and ringing are as follows.

Overshoot: $V_p/V_o \leq 2.5$

Ringing: within 7 waves



3.1.9 Protection Circuit Check

(1) Apply 10Hz signal until output level is saturated, and confirm that the protection circuit works and the relay does not open.

(2) Apply 1Hz, $V_{p-p} = 6V(8.7dBs)$ signal, and confirm that the protection circuit starts to work in 2 seconds to cut off the signal.

(3) Stop applying the input signal, and confirm that the system automatically resumes in 5 seconds.

3.1.10 PC LIMITER Circuit and LIMITER Circuit Check

(1) Connect 1Ω(±5%, 100W) load and apply -20dBs signal into input terminal.

(2) Confirm that the protection circuit starts to work and indicator LED lights up.

(3) Stop applying the input signal, and confirm that the system automatically resumes in 5 seconds.

3.1.11 LIMITER Indicator Check

Apply 1kHz/-10.8dBs signal, and confirm that LIMITER indicator lights up.

3.1.12 Efficiency Check

Apply 1kHz/-24dB signal into input terminal, and confirm that the primary power is 250±50W.

If the primary power does not meet the rated value, adjust the input level until the output level of SPEAKERS becomes 14.1V(25.2dBs).

3.2 For the case that the POWER AMP switch is 'BRIDGE'

3.2.1 Preparation

- Connect load resistance of 8Ω (more than 800W) to SPEAKERS terminal.

- Set each control as follows.

POWER AMP switch: BRIDGE

LEVEL control of CH1-4, 6 (EMX68S): MIN

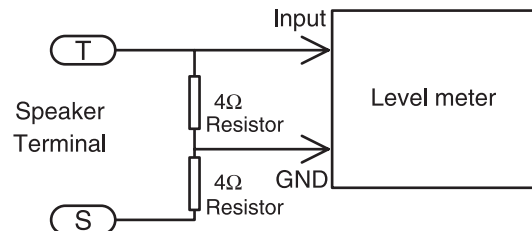
LEVEL control of CH1-6, 8 (EMX88S): MIN

Except the above, same as the setting of 2.1.

Note: Use following channels for input and output terminals.

Input: CH 5 LINE L (EMX68S) / CH 7 LINE L (EMX88S)

Output: (SPEAKERS) L+R BRIDGE



3.2.2 Gain Check

Apply -26dB signal into input terminal, and confirm that the output level of 23±2 dBs can be gained.

3.2.3 Frequency Response Check

Apply -26dBs signal into input terminal, and confirm that the output level for 20Hz, 20kHz signal are within +1, -3dB from the level for 1kHz signal.

4. Miscellaneous

4.1 Power Supply Voltage Variation

Change the voltage of power supply in the range of ±10%, and confirm that the system works normally.

■ OVERALL CIRCUIT DIAGRAM

■ CONTENTS

MIX68 Circuit Board 1/5	P1
MIX68 Circuit Board 2/5	P2
MIX68 Circuit Board 3/5	P3
MIX68 Circuit Board 4/5	P4
MIX68 Circuit Board 5/5	P5
MIX88 Circuit Board 1/5	P6
MIX88 Circuit Board 2/5	P7
MIX88 Circuit Board 3/5	P8
MIX88 Circuit Board 4/5	P9
MIX88 Circuit Board 5/5	P10
DSP Circuit Board	P11
PWR Circuit Board 1/4, PWR 2/4, PWR 3/4, PWR 4/4	P12

・ Resistor (抵抗)

(金被) : Metal Film Resistor (金属被膜抵抗)

(フ) : Flame Proof Carbon Resistor (不燃化カーボン抵抗)

(セメント) : Wire Wound Resistor (セメント抵抗)

・ Capacitor (コンデンサー)

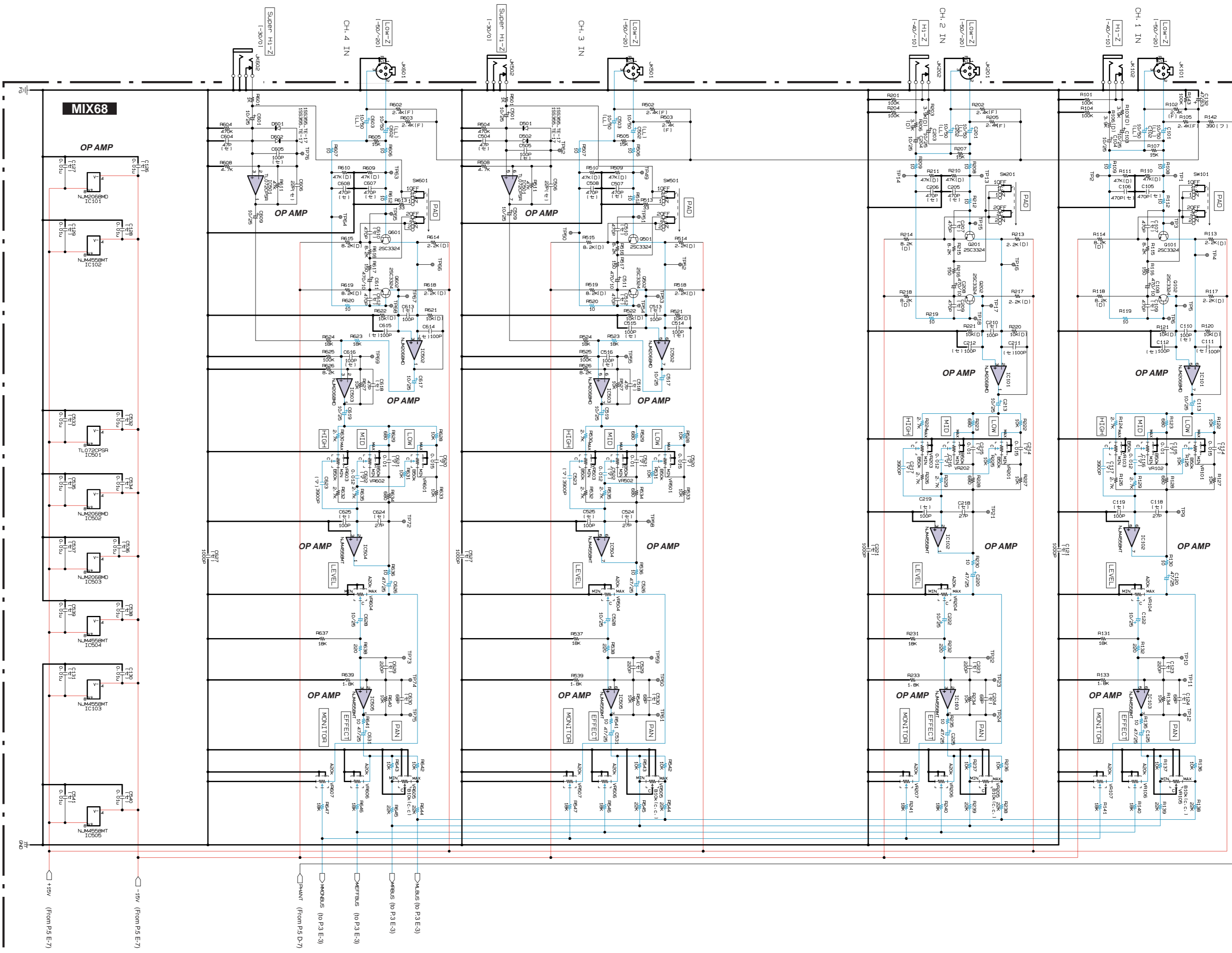
(マイカ) : Mica Capacitor (マイカコンデンサー)

(マ) : Mylar Capacitor (マイラーコンデンサー)

(セ) : Ceramic Capacitor (セラミックコンデンサー)

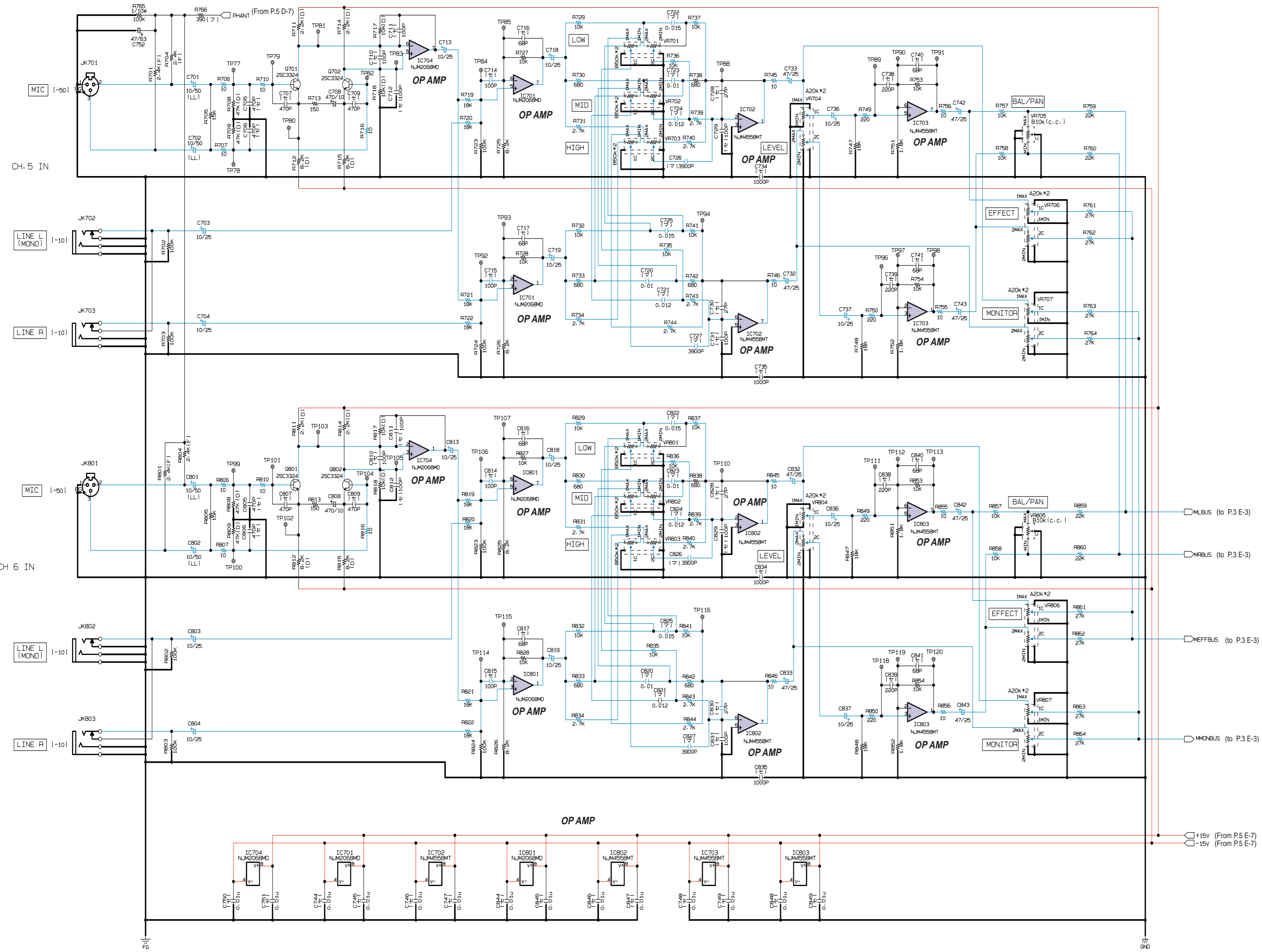
規格認定コン : Capacitor (規格認定コンデンサー)

(フ) : Polyester Film Capacitor (フィルムコンデンサー)



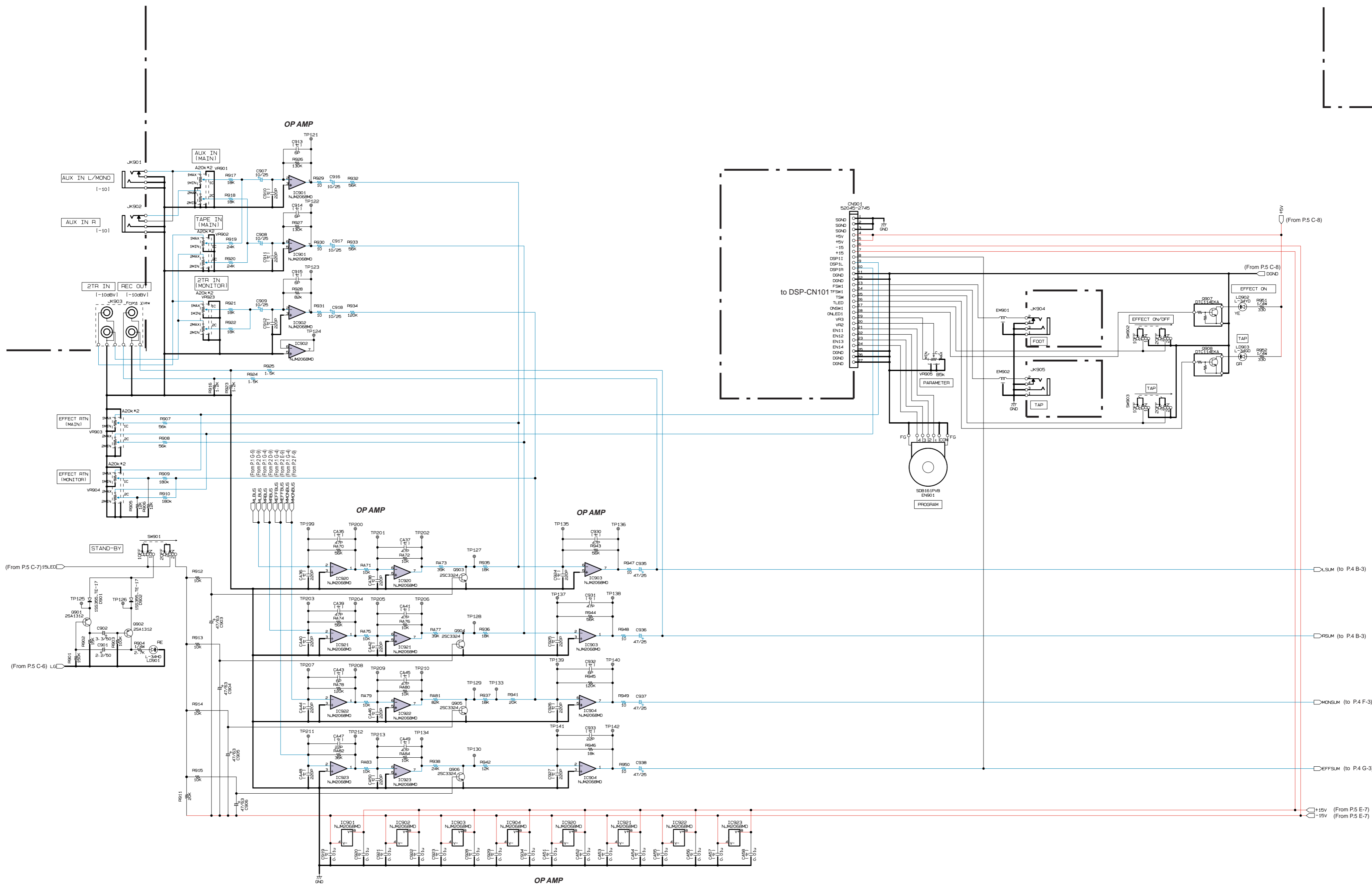
EMX68S / EMX88S CIRCUIT DIAGRAM 2/12 (MIX68 2/5)

A
B
C
D
E
F
G
H



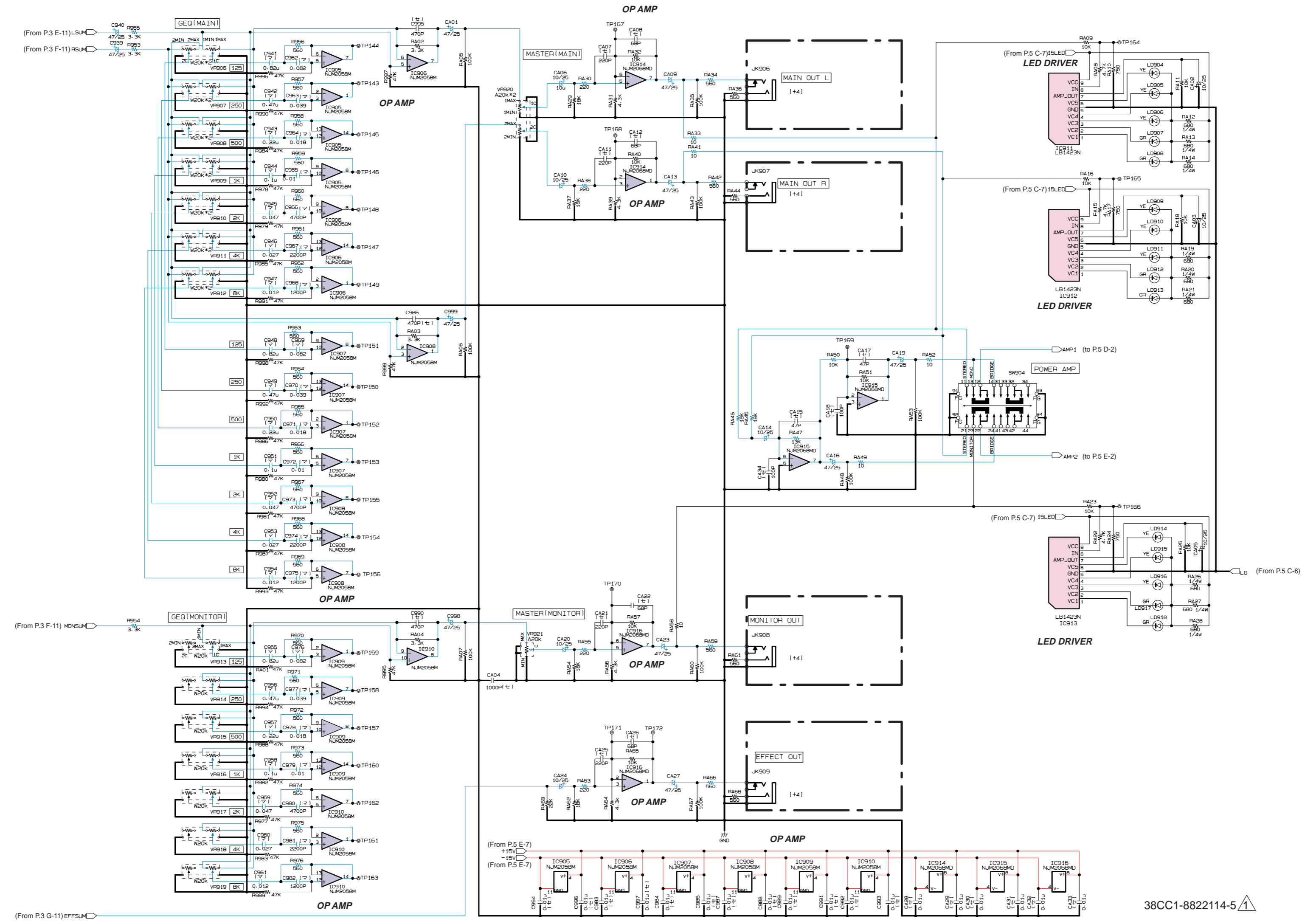
38CC1-8822114-3

EMX68S / EMX88S CIRCUIT DIAGRAM 3/12 (MIX68 3/5)



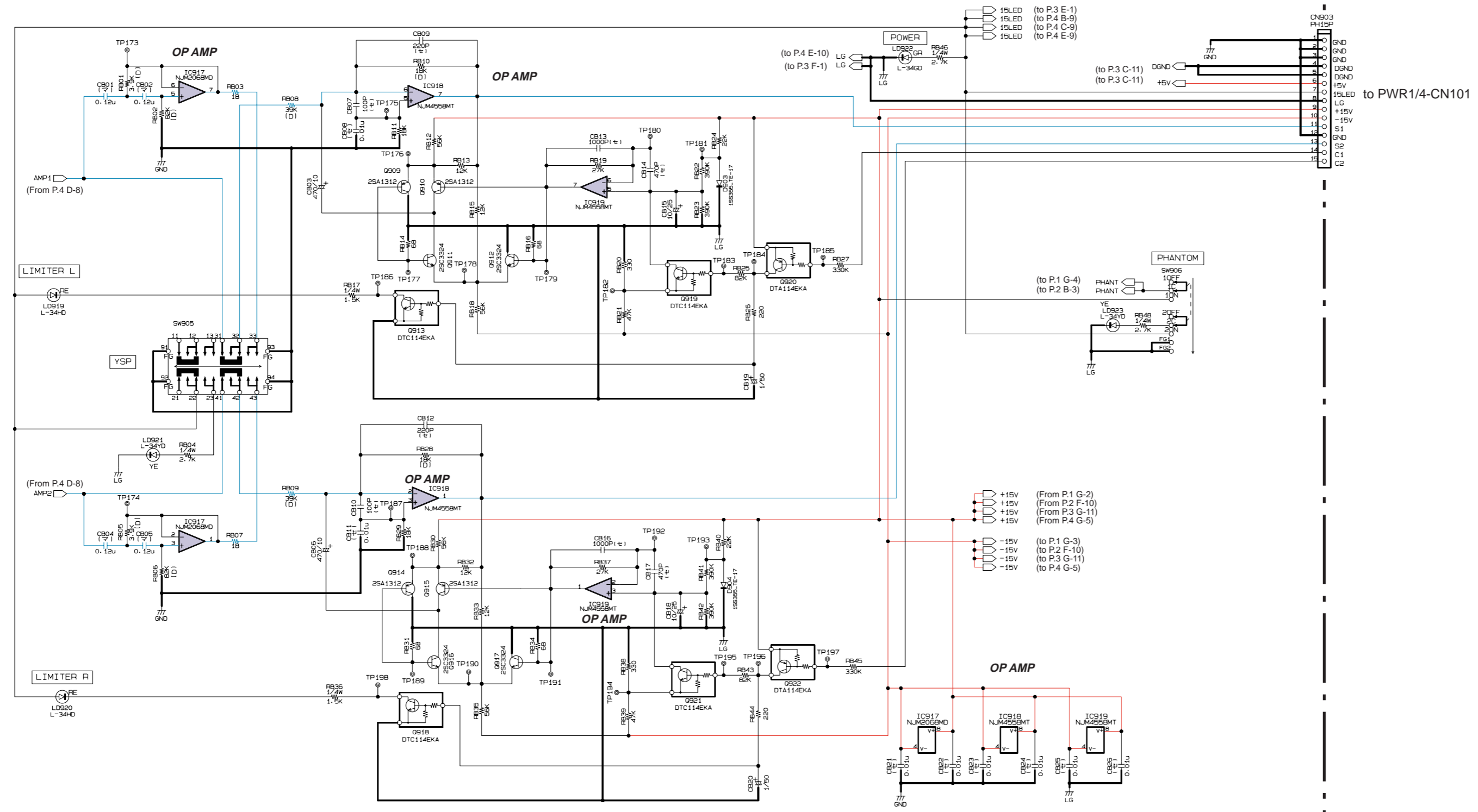
38CC1-8822114-4

EMX68S / EMX88S CIRCUIT DIAGRAM 4/12 (MIX68 4/5)

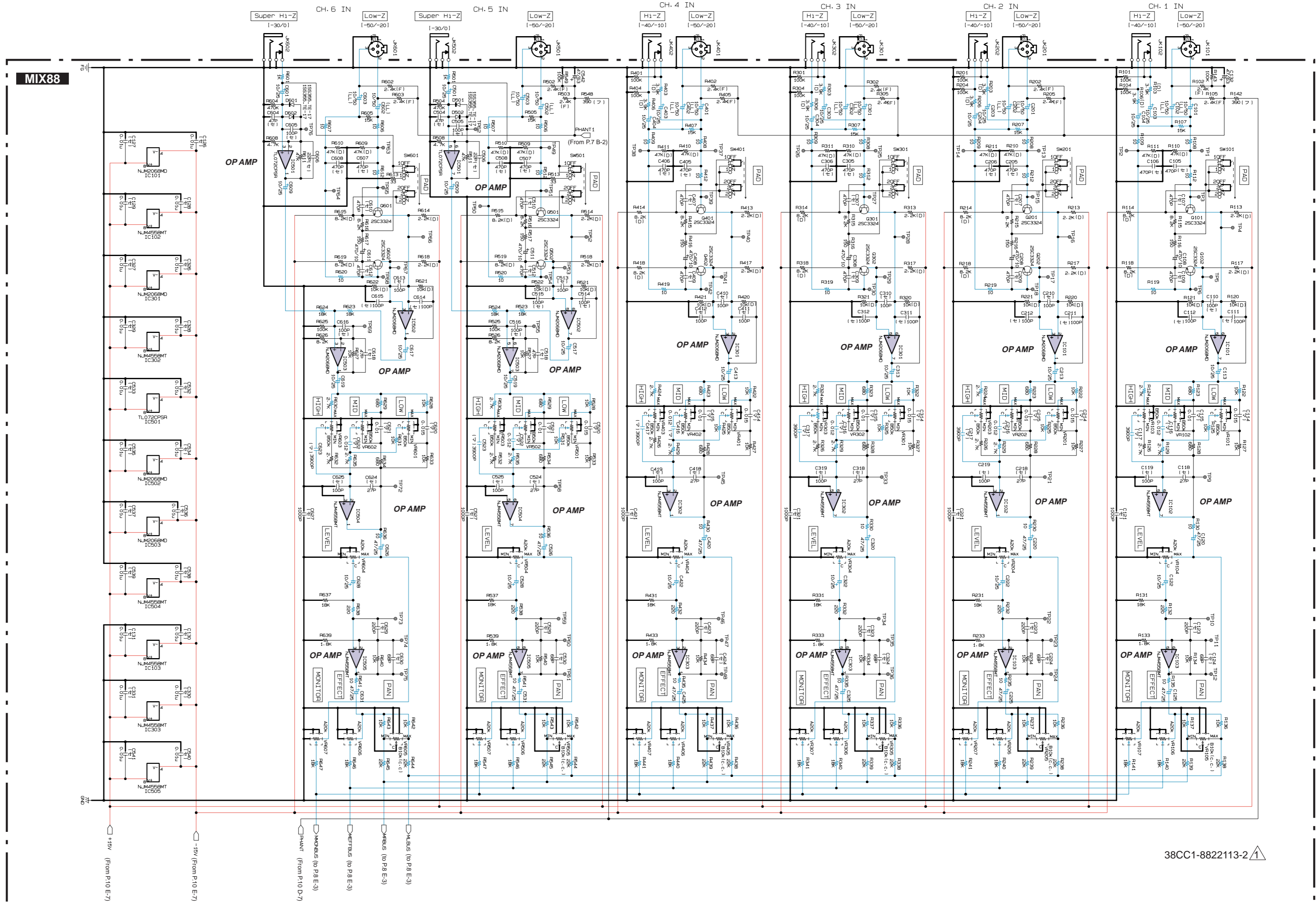


38CC1-8822114-5

EMX68S / EMX88S CIRCUIT DIAGRAM 5/12 (MIX68 5/5)

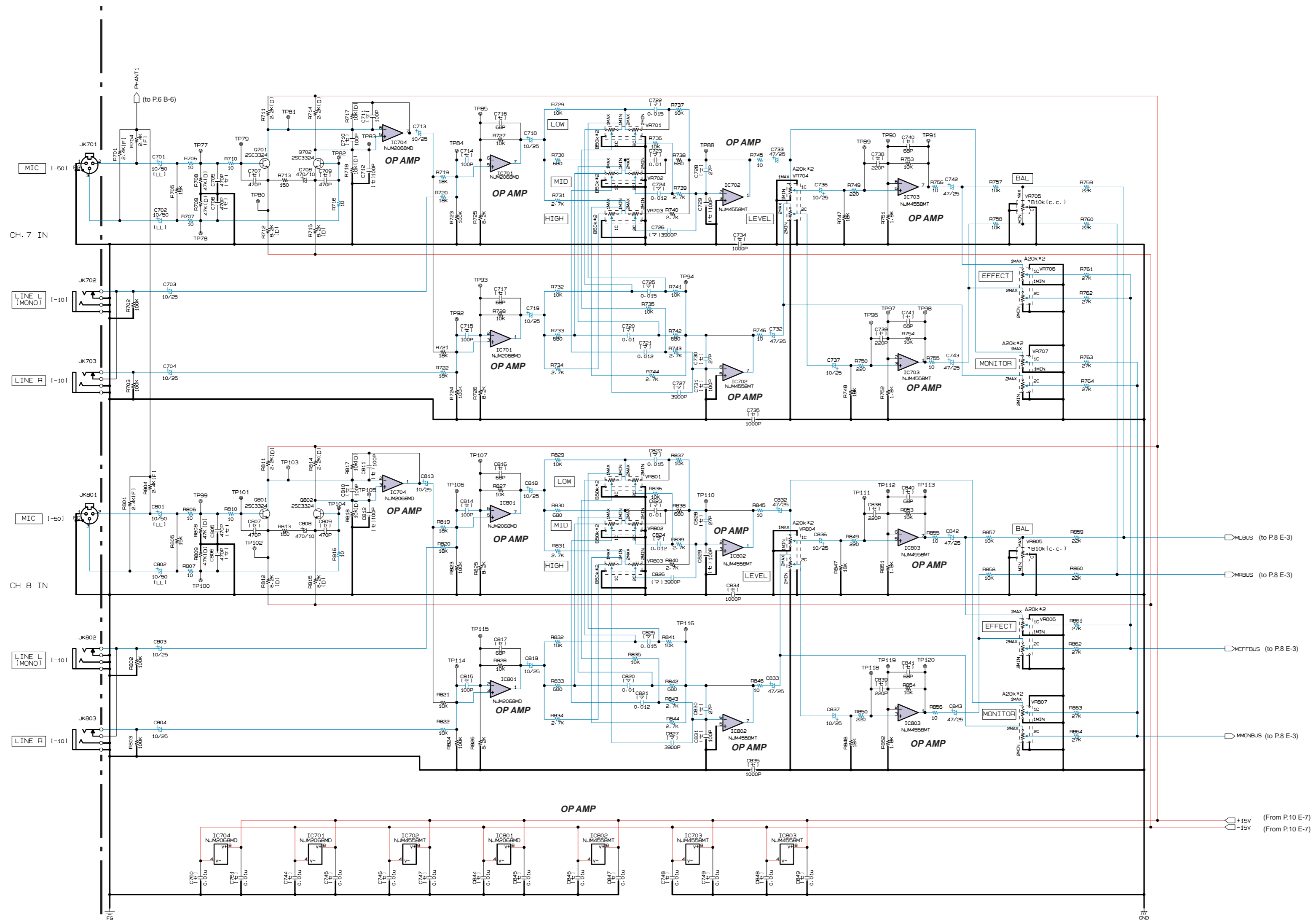


38CC1-8822114-6



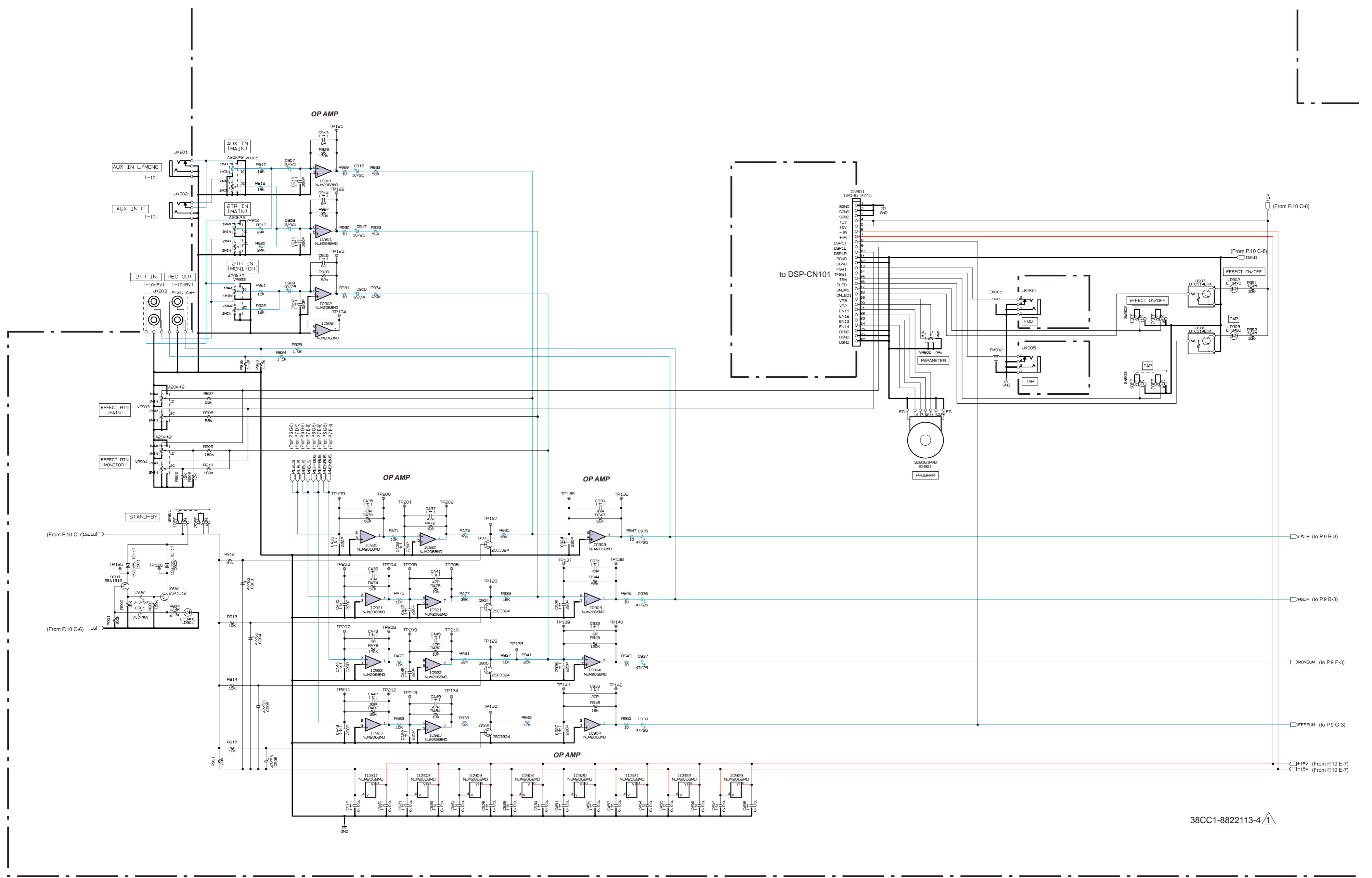
38CC1-8822113-2

EMX68S / EMX88S CIRCUIT DIAGRAM 7/12 (MIX88 2/5)

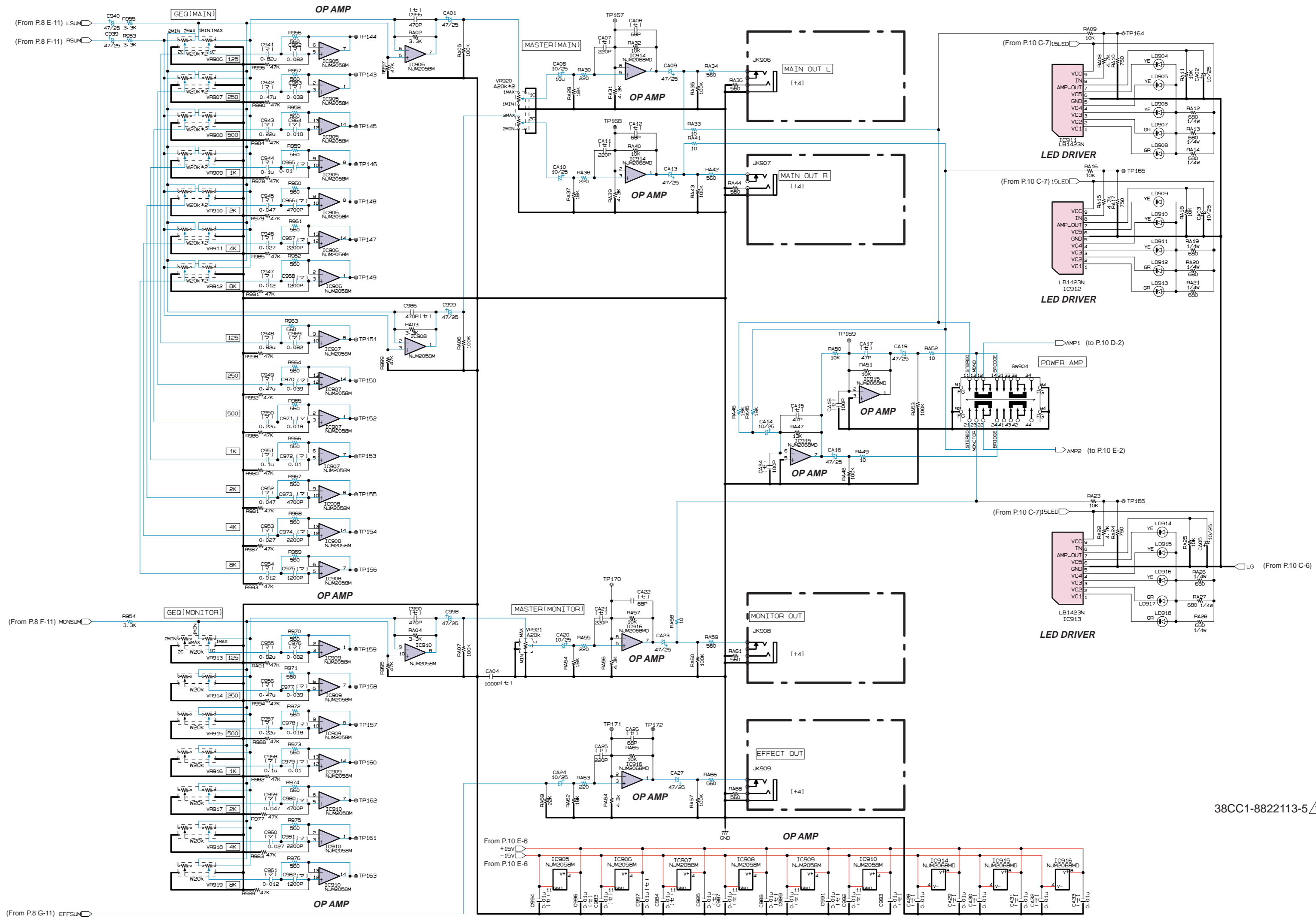


38CC1-8822113-3

EMX68S / EMX88S CIRCUIT DIAGRAM 8/12 (MIX88 3/5)

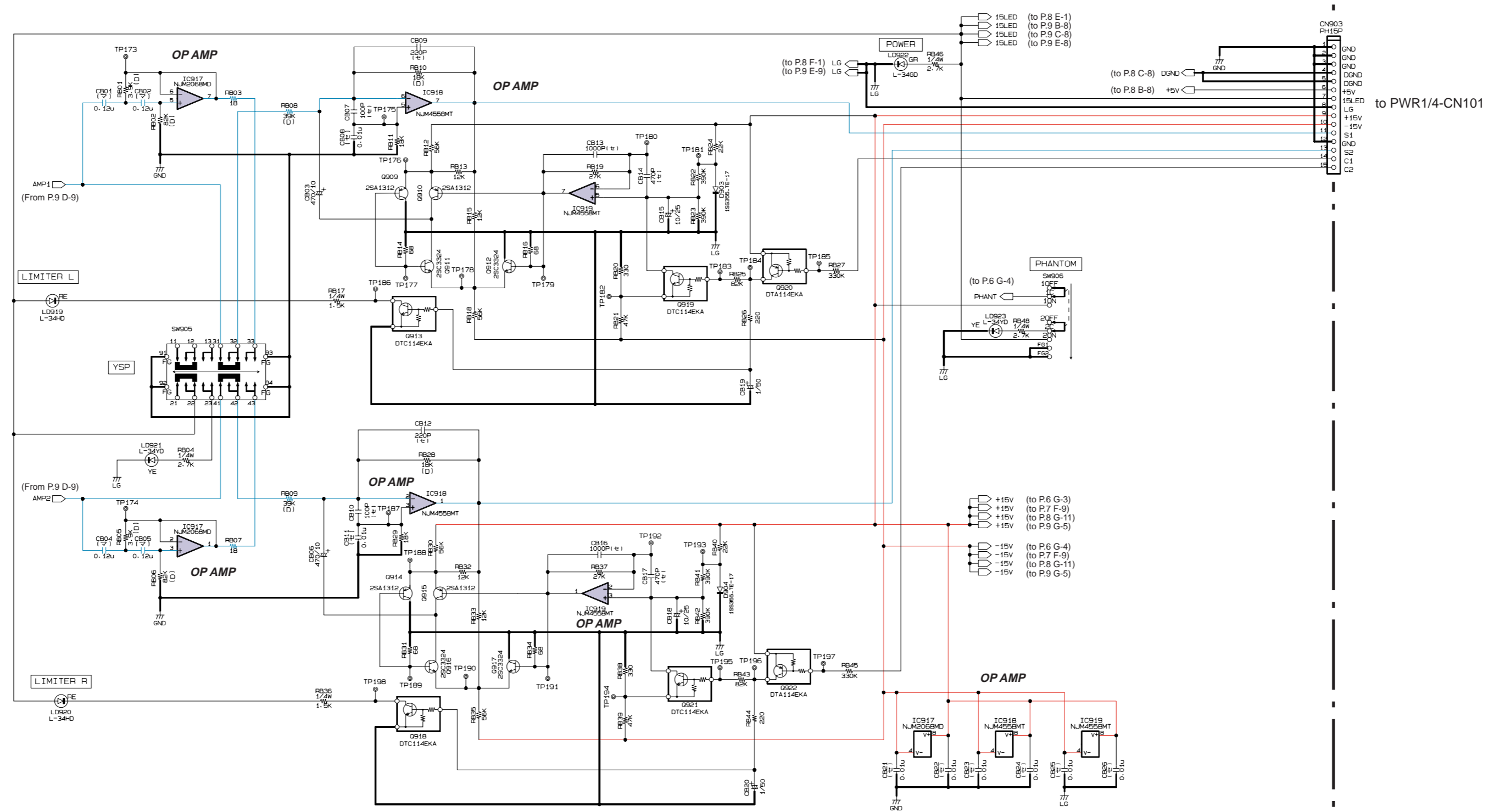


38CC1-8822113-4



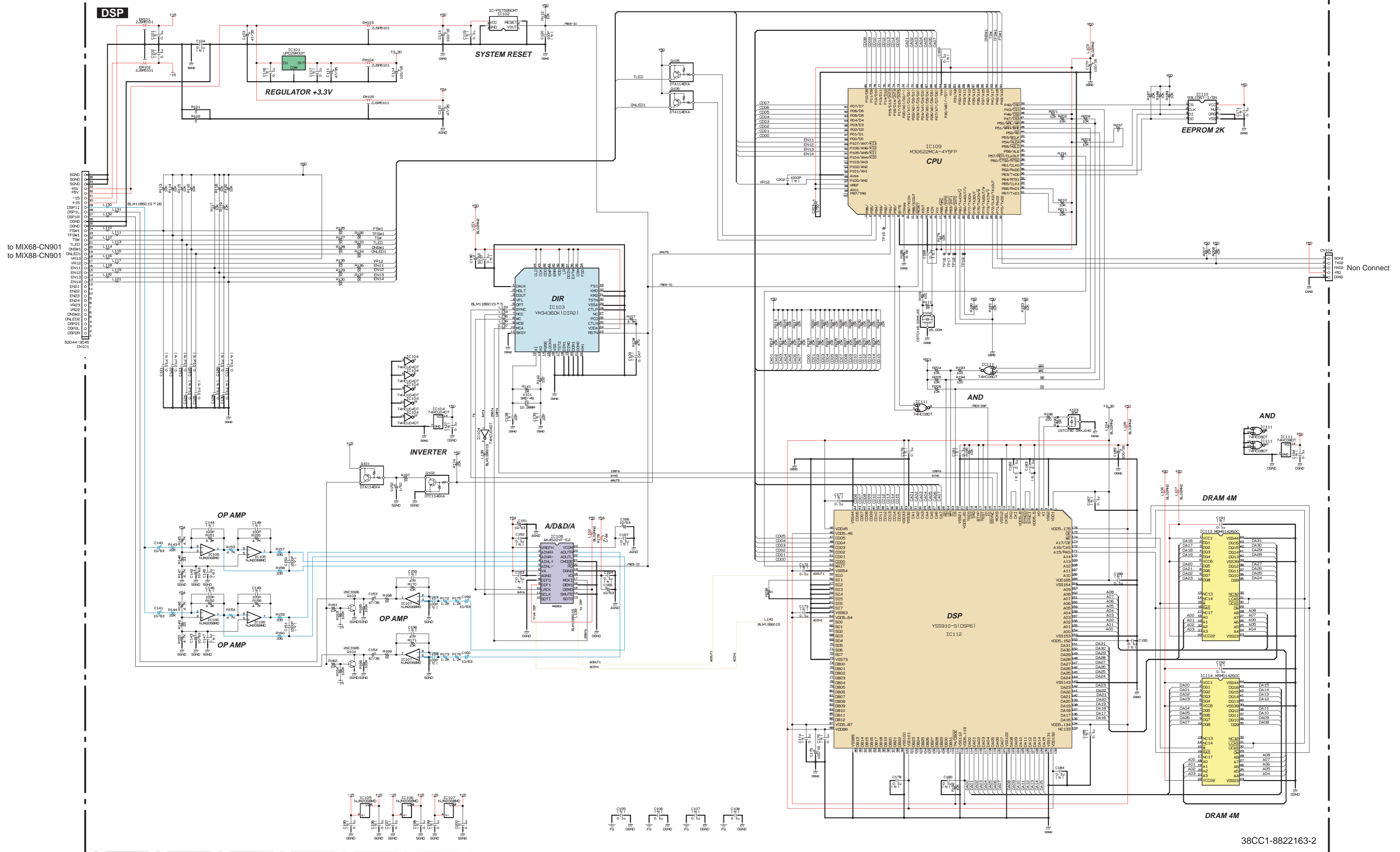
38CC1-8822113-5

EMX68S / EMX88S CIRCUIT DIAGRAM 10/12 (MIX88 5/5)



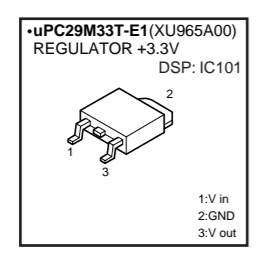
38CC1-8822113-6

EMX68S / EMX88S CIRCUIT DIAGRAM 11/12 (DSP)



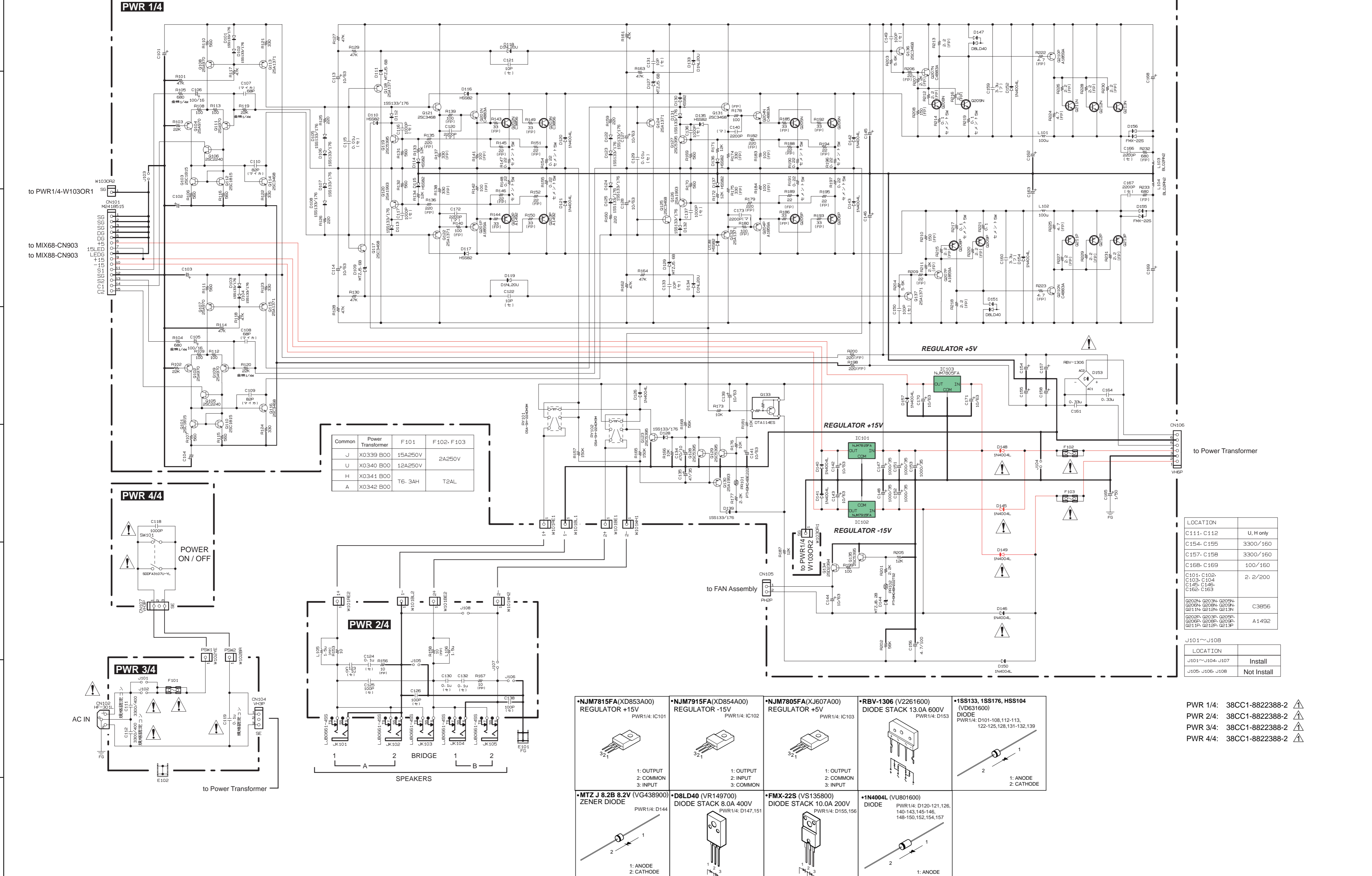
to MIX68-CN901
to MIX88-CN901

S204
S205
S206
S207
S208
S209
S210
S211
S212
S213
S214
S215
S216
S217
S218
S219
S220
S221
S222
S223
S224
S225
S226
S227
S228
S229
S230
S231
S232
S233
S234
S235
S236
S237
S238
S239
S240
S241
S242
S243
S244
S245
S246
S247
S248
S249
S250
S251
S252
S253
S254
S255
S256
S257
S258
S259
S260
S261
S262
S263
S264
S265
S266
S267
S268
S269
S270
S271
S272
S273
S274
S275
S276
S277
S278
S279
S280
S281
S282
S283
S284
S285
S286
S287
S288
S289
S290
S291
S292
S293
S294
S295
S296
S297
S298
S299
S300
S301
S302
S303
S304
S305
S306
S307
S308
S309
S310
S311
S312
S313
S314
S315
S316
S317
S318
S319
S320
S321
S322
S323
S324
S325
S326
S327
S328
S329
S330
S331
S332
S333
S334
S335
S336
S337
S338
S339
S340
S341
S342
S343
S344
S345
S346
S347
S348
S349
S350
S351
S352
S353
S354
S355
S356
S357
S358
S359
S360
S361
S362
S363
S364
S365
S366
S367
S368
S369
S370
S371
S372
S373
S374
S375
S376
S377
S378
S379
S380
S381
S382
S383
S384
S385
S386
S387
S388
S389
S390
S391
S392
S393
S394
S395
S396
S397
S398
S399
S400
S401
S402
S403
S404
S405
S406
S407
S408
S409
S410
S411
S412
S413
S414
S415
S416
S417
S418
S419
S420
S421
S422
S423
S424
S425
S426
S427
S428
S429
S430
S431
S432
S433
S434
S435
S436
S437
S438
S439
S440
S441
S442
S443
S444
S445
S446
S447
S448
S449
S450
S451
S452
S453
S454
S455
S456
S457
S458
S459
S460
S461
S462
S463
S464
S465
S466
S467
S468
S469
S470
S471
S472
S473
S474
S475
S476
S477
S478
S479
S480
S481
S482
S483
S484
S485
S486
S487
S488
S489
S490
S491
S492
S493
S494
S495
S496
S497
S498
S499
S500
S501
S502
S503
S504
S505
S506
S507
S508
S509
S510
S511
S512
S513
S514
S515
S516
S517
S518
S519
S520
S521
S522
S523
S524
S525
S526
S527
S528
S529
S530
S531
S532
S533
S534
S535
S536
S537
S538
S539
S540
S541
S542
S543
S544
S545
S546
S547
S548
S549
S550
S551
S552
S553
S554
S555
S556
S557
S558
S559
S560
S561
S562
S563
S564
S565
S566
S567
S568
S569
S570
S571
S572
S573
S574
S575
S576
S577
S578
S579
S580
S581
S582
S583
S584
S585
S586
S587
S588
S589
S590
S591
S592
S593
S594
S595
S596
S597
S598
S599
S600
S601
S602
S603
S604
S605
S606
S607
S608
S609
S610
S611
S612
S613
S614
S615
S616
S617
S618
S619
S620
S621
S622
S623
S624
S625
S626
S627
S628
S629
S630
S631
S632
S633
S634
S635
S636
S637
S638
S639
S640
S641
S642
S643
S644
S645
S646
S647
S648
S649
S650
S651
S652
S653
S654
S655
S656
S657
S658
S659
S660
S661
S662
S663
S664
S665
S666
S667
S668
S669
S670
S671
S672
S673
S674
S675
S676
S677
S678
S679
S680
S681
S682
S683
S684
S685
S686
S687
S688
S689
S690
S691
S692
S693
S694
S695
S696
S697
S698
S699
S700
S701
S702
S703
S704
S705
S706
S707
S708
S709
S710
S711
S712
S713
S714
S715
S716
S717
S718
S719
S720
S721
S722
S723
S724
S725
S726
S727
S728
S729
S730
S731
S732
S733
S734
S735
S736
S737
S738
S739
S740
S741
S742
S743
S744
S745
S746
S747
S748
S749
S750
S751
S752
S753
S754
S755
S756
S757
S758
S759
S760
S761
S762
S763
S764
S765
S766
S767
S768
S769
S770
S771
S772
S773
S774
S775
S776
S777
S778
S779
S780
S781
S782
S783
S784
S785
S786
S787
S788
S789
S790
S791
S792
S793
S794
S795
S796
S797
S798
S799
S800
S801
S802
S803
S804
S805
S806
S807
S808
S809
S810
S811
S812
S813
S814
S815
S816
S817
S818
S819
S820
S821
S822
S823
S824
S825
S826
S827
S828
S829
S830
S831
S832
S833
S834
S835
S836
S837
S838
S839
S840
S841
S842
S843
S844
S845
S846
S847
S848
S849
S850
S851
S852
S853
S854
S855
S856
S857
S858
S859
S860
S861
S862
S863
S864
S865
S866
S867
S868
S869
S870
S871
S872
S873
S874
S875
S876
S877
S878
S879
S880
S881
S882
S883
S884
S885
S886
S887
S888
S889
S890
S891
S892
S893
S894
S895
S896
S897
S898
S899
S900
S901
S902
S903
S904
S905
S906
S907
S908
S909
S910
S911
S912
S913
S914
S915
S916
S917
S918
S919
S920
S921
S922
S923
S924
S925
S926
S927
S928
S929
S930
S931
S932
S933
S934
S935
S936
S937
S938
S939
S940
S941
S942
S943
S944
S945
S946
S947
S948
S949
S950
S951
S952
S953
S954
S955
S956
S957
S958
S959
S960
S961
S962
S963
S964
S965
S966
S967
S968
S969
S970
S971
S972
S973
S974
S975
S976
S977
S978
S979
S980
S981
S982
S983
S984
S985
S986
S987
S988
S989
S990
S991
S992
S993
S994
S995
S996
S997
S998
S999
S1000



38CC1-8822163-2

EMX68S / EMX88S CIRCUIT DIAGRAM 12/12 (PWR1/4, PWR2/4, PWR3/4, PWR4/4)



Common	Power Transformer	F101	F102, F103
J	X0339 B00	15A250V	2A250V
U	X0340 B00	12A250V	
H	X0341 B00	T6, 3AH	T2AL
A	X0342 B00		

LOCATION	
C111, C112	U, H only
C154, C155	3300/160
C157, C158	3300/160
C168, C169	100/160
C101, C102, C103, C104, C145, C146, C162, C163	2, 2/200
Q202N, Q203N, Q205N, Q206N, Q208N, Q209N, Q211N, Q212N, Q213N	C3856
Q202P, Q203P, Q205P, Q206P, Q208P, Q209P, Q211P, Q212P, Q213P	A1492
LOCATION	
J101~J104, J107	Install
J105, J106, J108	Not Install

<p>•NJM7815FA(XD853A00) REGULATOR +15V PWR1/4: IC101</p> <p>1: OUTPUT 2: COMMON 3: INPUT</p>	<p>•NJM7915FA(XD854A00) REGULATOR -15V PWR1/4: IC102</p> <p>1: OUTPUT 2: INPUT 3: COMMON</p>	<p>•NJM7805FA(XJ607A00) REGULATOR +5V PWR1/4: IC103</p> <p>1: OUTPUT 2: COMMON 3: INPUT</p>	<p>•RBV-1306 (V2261600) DIODE STACK 13.0A 600V PWR1/4: D153</p> <p>1: ANODE 2: CATHODE</p>	<p>•1SS133, 1SS176, HSS104 (V631600) DIODE PWR1/4: D101-108, 112-113, 122-125, 128, 131-132, 139</p> <p>1: ANODE 2: CATHODE</p>
<p>•MTZ J 8.2B 8.2V (VG438900) ZENER DIODE PWR1/4: D144</p> <p>1: ANODE 2: CATHODE</p>	<p>•D8LD40 (VR149700) DIODE STACK 8.0A 400V PWR1/4: D147, 151</p> <p>1: ANODE 2: CATHODE</p>	<p>•FMX-22S (VS135800) DIODE STACK 10.0A 200V PWR1/4: D155, 156</p> <p>1: ANODE 2: CATHODE</p>	<p>•1N4004L (VU801600) DIODE PWR1/4: D120-121, 126, 140-143, 145-146, 148-150, 152, 154, 157</p> <p>1: ANODE 2: CATHODE</p>	

- PWR 1/4: 38CC1-8822388-2
- PWR 2/4: 38CC1-8822388-2
- PWR 3/4: 38CC1-8822388-2
- PWR 4/4: 38CC1-8822388-2

EMX 68s / EMX 88s

POWERED MIXER / POWERED MIXER

PARTS LIST

RACK MOUNT KIT

RK-88

■ CONTENTS

OVERALL ASSEMBLY 2

FRONT PANEL ASSEMBLY 4

REAR PANEL ASSEMBLY 6

ELECTRICAL PARTS 8

RK-88 RACK MOUNT KIT 47

Note) DESTINATION ABBREVIATIONS

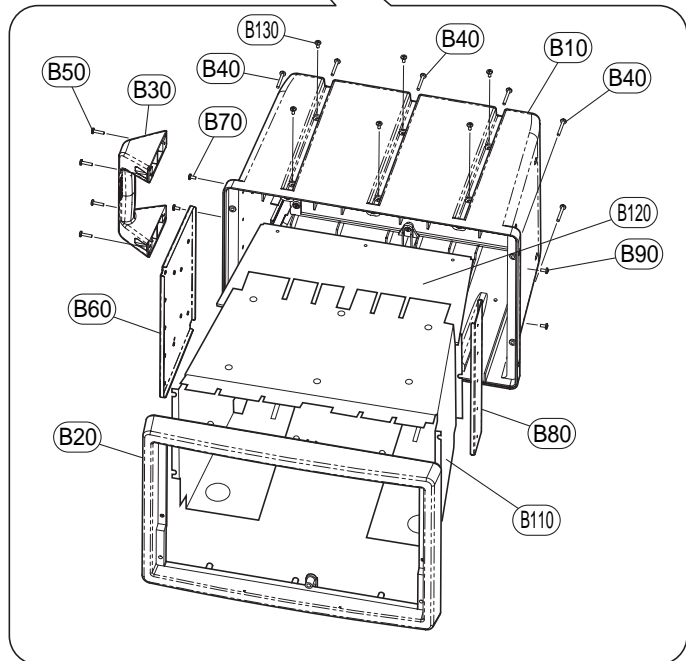
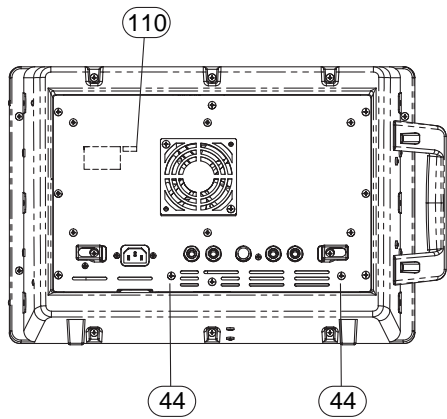
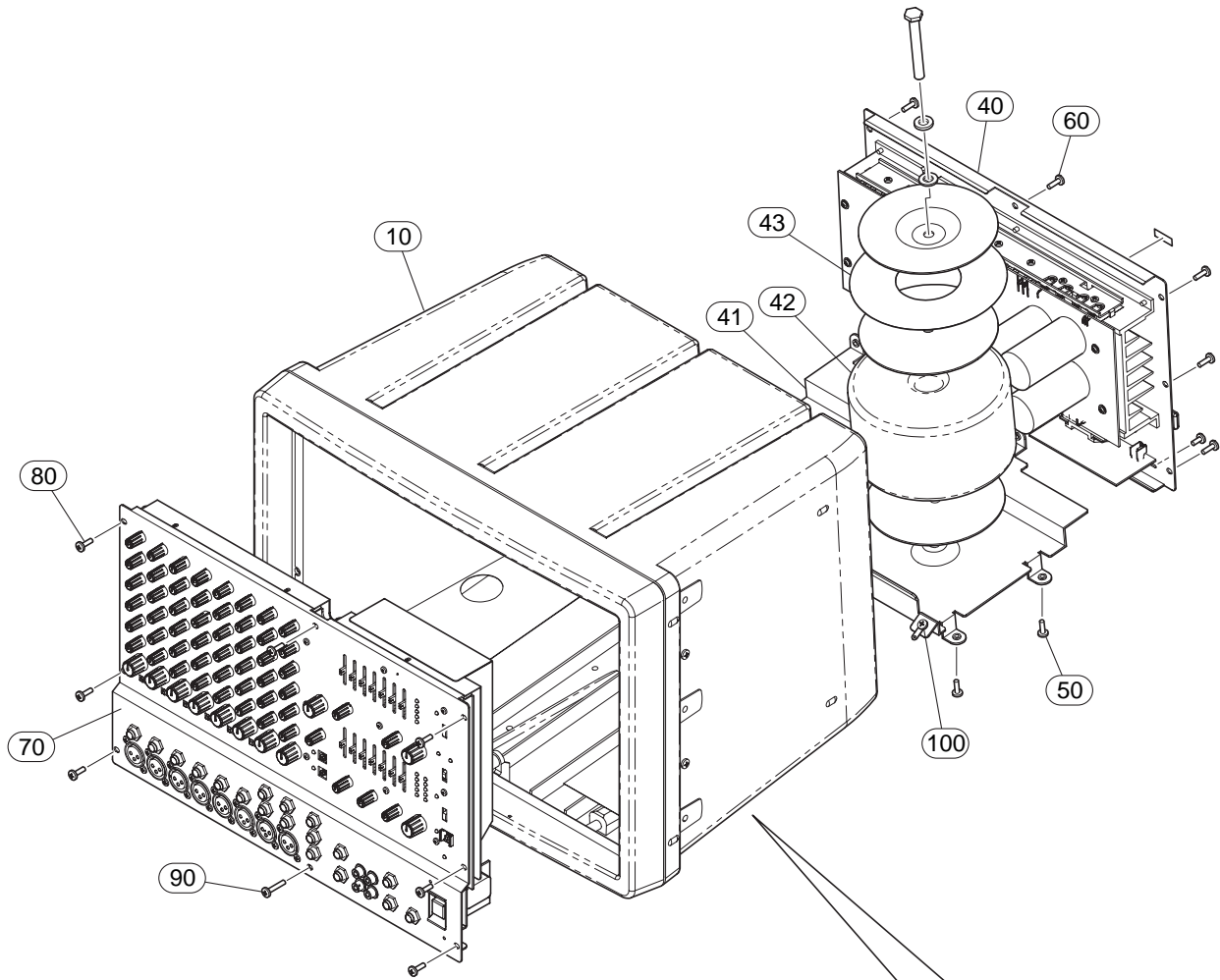
A: Australian model	M: South African model
B: British model	O: Chinese model
C: Canadian model	Q: South-east Asia model
D: German model	T: Taiwan model
E: European model	U: U.S.A. model
F: French model	V: General export model (110V)
H: North European model	W: General export model (220V)
I: Indonesian model	N,X: General export model
J: Japanese model	Y: Export model

■ WARNING

Components having special characteristics are marked \triangle and must be replaced with parts having specifications equal to those originally installed.

- The numbers in “ QTY ” show quantities for each unit.
- The parts with “ - - ” in “ PART NO. ” are not available as spare parts.
- The mark “ } ” in the remarks column indicates that these parts are interchangeable.
- The second letter of the shaded () part number is O, not zero.
- The second letter of the shaded () part number is I, not one.

OVERALL ASSEMBLY



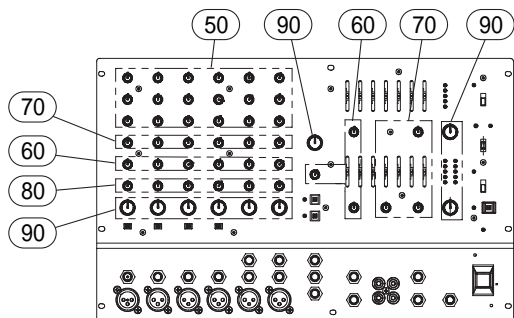
REF NO.	PART NO.	DESCRIPTION		REMARKS	QTY	RANK
	--	OVERALL ASSEMBLY		EMX-68S/88S J, U, H, A		
	--	Overall Assembly	J	EMX-68S J (V832430)		
	--	Overall Assembly	J	EMX-88S J (V832050)		
	--	Overall Assembly	U	EMX-68S U, V (V832440)		
	--	Overall Assembly	U	EMX-88S U, V (V832060)		
	--	Overall Assembly	H	EMX-68S H, B, W (V832450)		
	--	Overall Assembly	H	EMX-88S H, B, W (V832070)		
	--	Overall Assembly	A	EMX-68S A (V832460)		
	--	Overall Assembly	A	EMX-88S A (V832080)		
10	--	Body Assembly	J COM	(V832150)		
40	--	Rear Panel Assembly	A	EMX-88S A (V832190)		
40	--	Rear Panel Assembly	A	EMX-68S A (V832500)		
40	--	Rear Panel Assembly	H	EMX-88S H (V832180)		
40	--	Rear Panel Assembly	H	EMX-68S H (V832490)		
40	--	Rear Panel Assembly	J	EMX-88S J (V787000)		
40	--	Rear Panel Assembly	J	EMX-68S J (V832470)		
40	--	Rear Panel Assembly	U	EMX-88S U (V832170)		
40	--	Rear Panel Assembly	U	EMX-68S U (V832480)		
*	41	V7871800 Holder, Transformer				
△	42	X0339B00 Power Transformer		J		
*	42	X0340B00 Power Transformer	UL	U, V		
△	42	X0341B00 Power Transformer	CE A	H, B, W		
*	42	X0342B00 Power Transformer	AS A	A		
△	43	V7019800 Shield Plate	CP2000			
*	44	EG340190 Bind Head Tapping Screw-B	4.0X8 MFZN2BL			2 01
	50	VR138400 Bind Head Tapping Screw-B	4.0X12 MFZN2BL			6 01
	60	VB132700 Bind Head Screw	4.0X12 MFZN2BL			8 01
	70	-- Front Panel Assembly	J COM	EMX-88S (V832200)		
	70	-- Front Panel Assembly	J COM	EMX-68S (V832510)		
	80	VB132700 Bind Head Screw	4.0X12 MFZN2BL			7 01
	90	VB403600 Bind Head Screw	4.0X20 MFZN2BL			01
	100	VP156800 Bind Head Screw	A4.0X8 MFZN2BL			01
	110	VA039300 Label, Date Cord	DATE CODE	U		03
	--	Body Assembly	J COM	(V832150)		
*	B10	V8322500 Body Assembly, Sub	J COM			
*	B20	V8322600 Front Frame, Sub	J COM			
*	B30	V8419500 Handle Assembly	J COM			
*	B40	V8322700 Bind Head Tapping Screw-P	4.0X30 MFZN2BL			10
	B50	EG340110 Bind Head Screw	4.0X16 MFZN2BL			4 01
	B60	-- Side Plate	LEFT	(V839690)		
	B70	EG340360 Bind Head Screw	4.0X8 MFZN2BL			4 01
	B80	-- Side Plate	RIGHT	(V839700)		
	B90	EG340360 Bind Head Screw	4.0X8 MFZN2BL			2 01
*	B110	V8183300 Shield Sheet				
	B120	-- Reinforcement Plate		(V850510)		
	B130	EG340360 Bind Head Screw	4.0X8 MFZN2BL			6 01
		ACCESSORIES				
	V6283900	AC Cord	BS H05VV-F3X0.75	B		
	V6284300	AC Cord	UC SJT	U, V		
	V6284400	AC Cord	E H05VV-FX3 0.75	H, W, A		
	V7240300	AC Cord	J VCTF 0.75X3	J		

*: New Parts

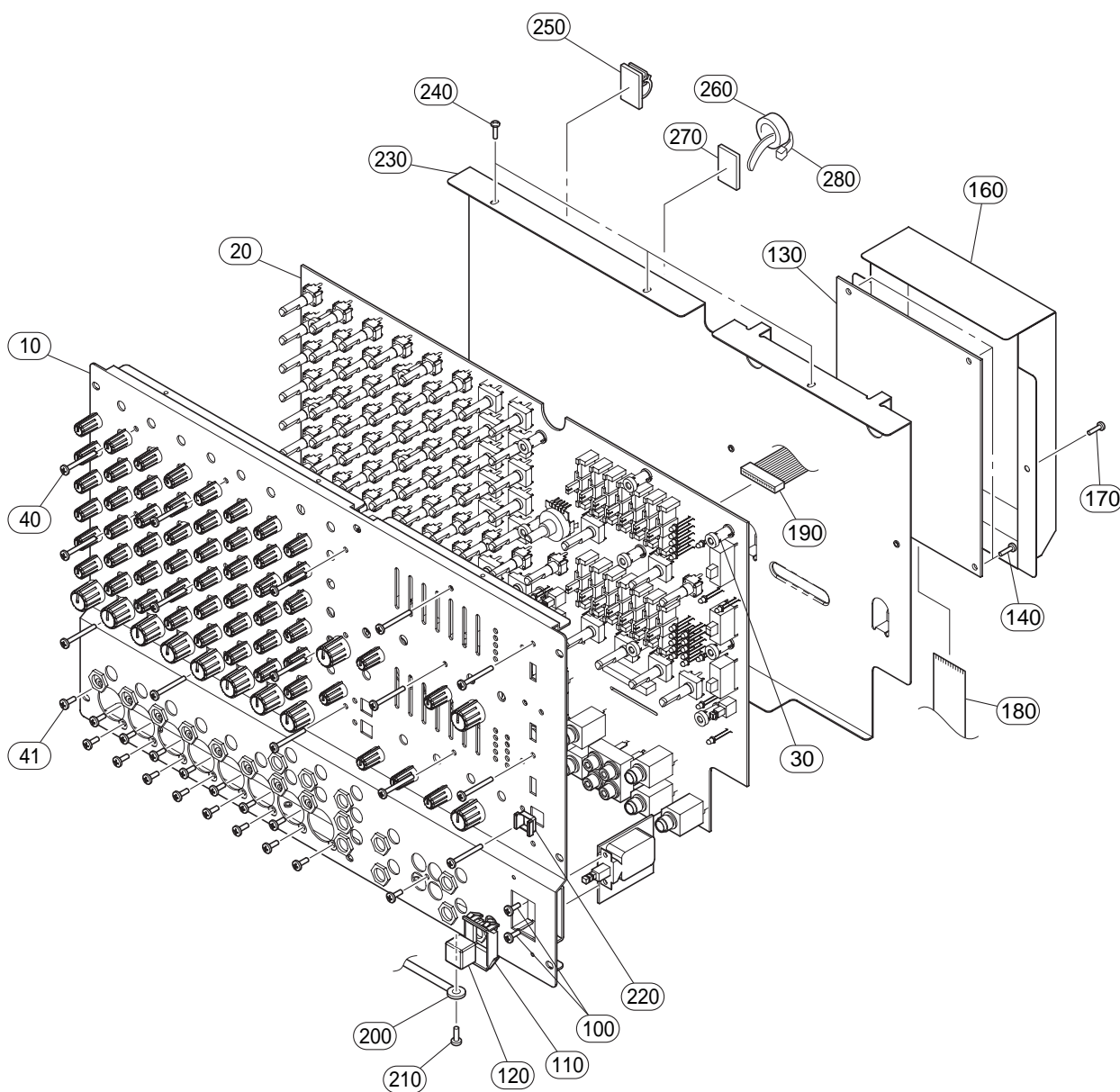
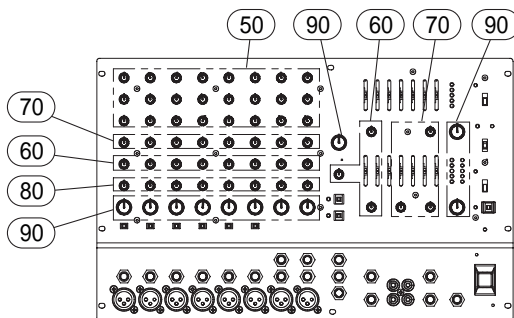
RANK: Japan only

FRONT PANEL ASSEMBLY

EMX-68S



EMX-88S

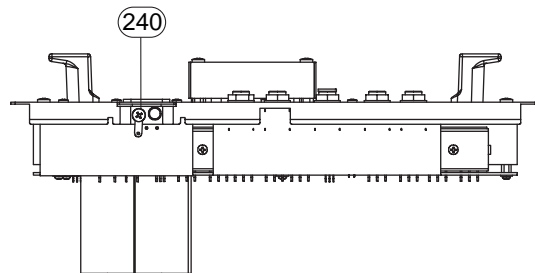
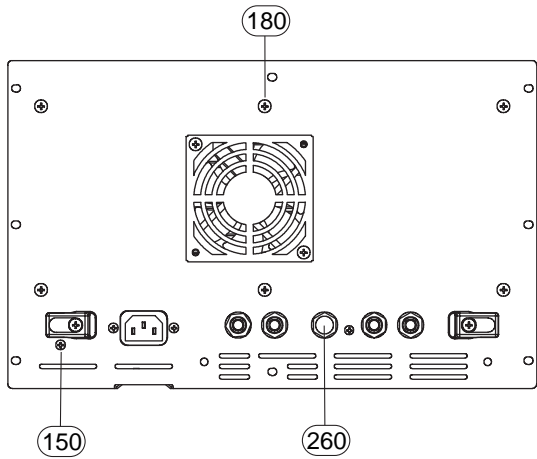
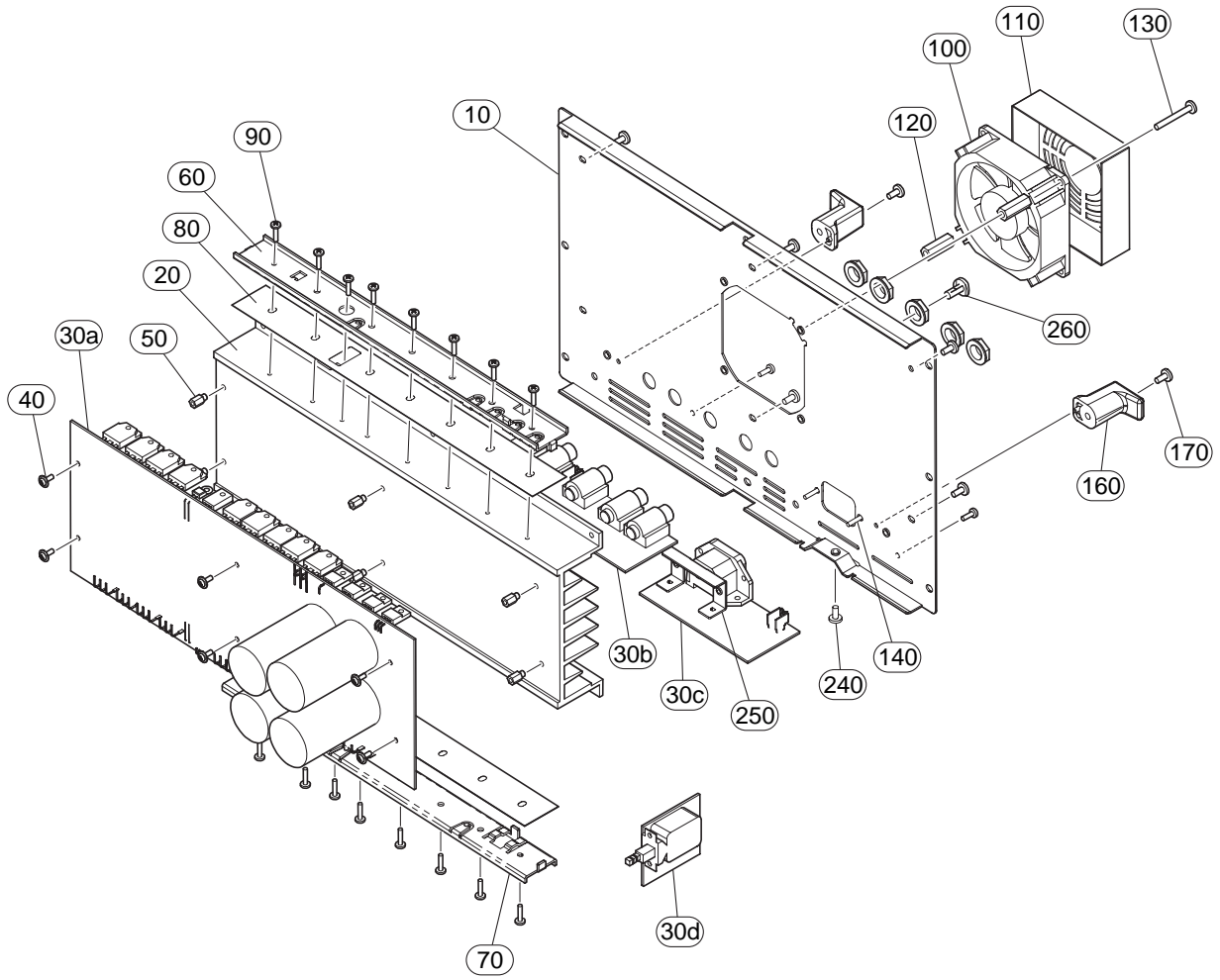


REF NO.	PART NO.	DESCRIPTION		REMARKS	QTY	RANK
		FRONT PANEL ASSEMBLY		EMX-68S/88S		
	--	Front Panel Assembly	J COM	EMX-68S (V832510)		
	--	Front Panel Assembly	J COM	EMX-88S (V832200)		
*	10	V8325700	Front Panel	EMX-68S		
*	10	V8323300	Front Panel	EMX-88S		
*	20	V8266800	Circuit Board	EMX-68S		
*	20	V8266700	Circuit Board	EMX-88S		
	30	V3291600	PCB Support			
	40	V3289800	Screw		15	01
	41	VN413300	Bonding Tapping Screw-B	3.0X8 MFZN2BL	15	01
	41	VN413300	Bonding Tapping Screw-B	3.0X8 MFZN2BL	17	01
	50	V6225300	Knob	GREEN/M-GRAY	13	01
	50	V6225300	Knob	EMX-68S HIGH (CH1-6), MID (CH1-6), LOW (CH1-6)	18	01
	50	V6225300	Knob	GREEN/M-GRAY	24	01
	60	V6225600	Knob	EMX-88S HIGH (CH1-8), MID (CH1-8), LOW (CH1-8)		
	60	V6225600	Knob	L-GRAY/M-GRAY	9	01
	60	V6225600	Knob	EMX-68S EFFECT (CH1-6), PARAMETER, EFFECT RTN (MONITOR, MAIN)	11	01
	70	V6225400	Knob	L-GRAY/M-GRAY		
	70	V6225400	Knob	EMX-88S EFFECT (CH1-8), PARAMETER, EFFECT RTN (MONITOR, MAIN)	11	01
	70	V6225400	Knob	BLUE/M-GRAY	9	01
	70	V6225400	Knob	EMX-68S MONITOR (CH1-6), 2TR IN (MONITOR, MAIN), AUX IN (MAIN)	9	01
	80	V6225500	Knob	BLUE/M-GRAY	11	01
	80	V6225500	Knob	EMX-88S MONITOR (CH1-8), 2TR IN (MONITOR, MAIN), AUX IN (MAIN)		
	80	V6225500	Knob	RED/M-GRAY	6	01
	80	V6225500	Knob	EMX-68S PAN (CH1-6)	8	01
	90	V6225700	Knob	EMX-88S PAN (CH1-8)	8	01
	90	V6225700	Knob	L-GRAY/D-GRAY	9	01
	90	V6225700	Knob	EMX-68S LEVEL (CH1-6), PROGRAM, MASTER (MONITOR, MAIN)	9	01
	90	V6225700	Knob	L-GRAY/D-GRAY	11	01
	90	V6225700	Knob	EMX-88S LEVEL (CH1-8), PROGRAM, MASTER (MONITOR, MAIN)	11	01
	100	VB659000	Bind Head Screw		2	01
	110	VU859100	Escutcheon, Power Switch	3.0X8 MFZN2BL		02
	120	VU859000	Power Switch Knob	MX12/4		01
*	130	AAX33030	Circuit Board	DSP-SPX1		
	140	EP600230	Bind Head Tapping Screw-B	3.0X6 MFZN2BL	4	01
	160	--	Shield Case			
	170	EP600230	Bind Head Tapping Screw-B	3.0X6 MFZN2BL	2	01
*	180	MF127100	Connector Assembly	27 100MM P=1.25		
*	190	V9101000	Connector Assembly	24185&2426 15P800L		
	200	--	Wiring Assembly	GND		
	210	VP156800	Bind Head Screw	A4.0X8 MFZN2BL		01
*	220	V8273100	Mute Guard			
	230	--	Shield Plate			
	240	EP600230	Bind Head Tapping Screw-B	3.0X6 MFZN2BL		01
	250	VZ765100	Cord Binder	TS-0708 KSS	6	02
*	260	V3225000	Ferrite Core	FR25/15/12-D40		03
	270	--	Cable Cramp	AB-3S-3M NYLON66		
*	280	VV104600	Cord Holder	CV-100		01

*: New Parts

RANK: Japan only

REAR PANEL ASSEMBLY



REF NO.	PART NO.	DESCRIPTION		REMARKS	QTY	RANK
		REAR PANEL ASSEMBLY		EMX-68S/88S J, U, H, A		
	--	Rear Panel Assembly	J	EMX-68S J (V832470)		
	--	Rear Panel Assembly	J	EMX-88S J (V787000)		
	--	Rear Panel Assembly	U	EMX-68S U (V832480)		
	--	Rear Panel Assembly	U	EMX-88S U (V832170)		
	--	Rear Panel Assembly	H	EMX-68S H (V832490)		
	--	Rear Panel Assembly	H	EMX-88S H (V832180)		
	--	Rear Panel Assembly	A	EMX-68S A (V832500)		
	--	Rear Panel Assembly	A	EMX-88S A (V832190)		
*	10	V8325200	Rear Panel	J	EMX-68S J	
*	10	V8322800	Rear Panel	J	EMX-88S J	
*	10	V8325300	Rear Panel	U	EMX-68S U	
*	10	V8322900	Rear Panel	U	EMX-88S U	
*	10	V8325400	Rear Panel	H	EMX-68S H	
*	10	V8323000	Rear Panel	H	EMX-88S H	
*	10	V8325500	Rear Panel	A	EMX-68S A	
*	10	V8323100	Rear Panel	A	EMX-88S A	
	20	--	Heat Sink		(V787110)	
*	30a	AA32800	Circuit Board	PWR B88 1/4 J	J, U (V826900z)	
*	30a	AA32810	Circuit Board	PWR B88 1/4 H	H, A (V826920)	
*	30b	AA32820	Circuit Board	PWR B88 2/4 J	(V826900)	
*	30c	AA32830	Circuit Board	PWR B88 3/4 J	J (V826900)	
*	30c	AA32840	Circuit Board	PWR B88 3/4 U	U (V826910)	
*	30c	AA32850	Circuit Board	PWR B88 3/4 H	H, A (V826920)	
*	30d	AA32860	Circuit Board	PWR B88 4/4 J	(V826900)	
	40	EG330290	Bind Head Screw	SP 3.0X8 MFZN2Y		6 01
	50	VV086500	Support	H=7.4 B=5.5		6 01
	60	--	TR Holder A		(V521320)	
	70	--	TR Holder B		(V521330)	
	80	V5214900	Insulation Sheet			2 03
	90	VQ074600	Bind Head Tapping Screw-B	3.0X12 MFZN2BL		16 01
	100	V6147300	Fan	3110GLB5WB50H02		08
	110	V2951400	Angle Bracket, Fan			03
	120	--	Support		(V813390)	2
	130	VT229100	Bind Head Screw	4.0X30 MFZN2BL		2 01
	140	VQ074600	Bind Head Tapping Screw-B	3.0X12 MFZN2BL		2 01
	150	VN413300	Bonding Tapping Screw-B	3.0X8 MFZN2BL		2 01
	160	V4773400	Holder, Cord			2
	170	EG340190	Bind Head Tapping Screw-B	4.0X8 MFZN2BL		2 01
	180	EG340190	Bind Head Tapping Screw-B	4.0X8 MFZN2BL		6 01
	240	VP156800	Bind Head Screw	A4.0X8 MFZN2BL		01
*	250	V8098800	Angle Bracket, AC Inlet			
	260	V7646900	Clip	F1B84 TIFCO		01

*: New Parts

RANK: Japan only

ELECTRICAL PARTS

REF NO.	PART NO.	DESCRIPTION		REMARKS	QTY	RANK
		ELECTRICAL PARTS				
*	AA33030	Circuit Board	DSP-SPX1	(V826720) (X0621B0)		
*	V8266800	Circuit Board	MIX68	EMX-68S (X0618C0)		
*	V8266700	Circuit Board	MIX88	EMX-88S (X0617C0)		
*	AA32800	Circuit Board	PWR B88 1/4	J, U (V826900) (X0623B0)		
*	AA32810	Circuit Board	PWR B88 1/4	H, A (V826920) (X0623B0)		
*	AA32820	Circuit Board	PWR B88 2/4	(V826900) (X0623B0)		
*	AA32830	Circuit Board	PWR B88 3/4	J (V826900) (X0623B0)		
*	AA32840	Circuit Board	PWR B88 3/4	U (V826910) (X0623B0)		
*	AA32850	Circuit Board	PWR B88 3/4	H, A (V826920) (X0623B0)		
*	AA32860	Circuit Board	PWR B88 4/4	(V826900) (X0623B0)		
*	AA33030	Circuit Board	DSP-SPX1	(V826720) (X0621B0)		
C101	UX145100	Ceramic Capacitor (chip)	0.1000 25V Z			01
C102	UX145100	Ceramic Capacitor (chip)	0.1000 25V Z			01
C103	UR847470	Electrolytic Cap.	47.00 25.0V			01
C104	UX145100	Ceramic Capacitor (chip)	0.1000 25V Z			01
-108	UX145100	Ceramic Capacitor (chip)	0.1000 25V Z			01
C109	UA954470	Maylar Capacitor	0.0470 50V J			01
C110	UR847470	Electrolytic Cap.	47.00 25.0V			01
C111	UR847470	Electrolytic Cap.	47.00 25.0V			01
C113	UR838100	Electrolytic Cap.	100.00 16.0V			01
C114	UR838100	Electrolytic Cap.	100.00 16.0V			01
C116	UX145100	Ceramic Capacitor (chip)	0.1000 25V Z			01
C117	UX145100	Ceramic Capacitor (chip)	0.1000 25V Z			01
C119	UX145100	Ceramic Capacitor (chip)	0.1000 25V Z			01
C120	UX062100	Ceramic Capacitor (chip)	100P 50V J			01
C121	UX064100	Ceramic Capacitor (chip)	0.0100 50V K			01
-126	UX064100	Ceramic Capacitor (chip)	0.0100 50V K			01
C127	UX145100	Ceramic Capacitor (chip)	0.1000 25V Z			01
C128	UX064100	Ceramic Capacitor (chip)	0.0100 50V K			01
-131	UX064100	Ceramic Capacitor (chip)	0.0100 50V K			01
C136	UR847100	Electrolytic Cap.	10.00 25.0V			01
C137	UX145100	Ceramic Capacitor (chip)	0.1000 25V Z			01
C138	UX061220	Ceramic Capacitor (chip)	22P 50V J			01
C139	UX061220	Ceramic Capacitor (chip)	22P 50V J			01
C140	UR847100	Electrolytic Cap.	10.00 25.0V			01
-143	UR847100	Electrolytic Cap.	10.00 25.0V			01
C144	UX062100	Ceramic Capacitor (chip)	100P 50V J			01
C145	UX145100	Ceramic Capacitor (chip)	0.1000 25V Z			01
C146	UX062100	Ceramic Capacitor (chip)	100P 50V J			01
C147	UX145100	Ceramic Capacitor (chip)	0.1000 25V Z			01
C148	UX062100	Ceramic Capacitor (chip)	100P 50V J			01
C149	UX062100	Ceramic Capacitor (chip)	100P 50V J			01
C150	UA953150	Mylar Capacitor	1500P 50V J			01
C151	UA953150	Mylar Capacitor	1500P 50V J			01
C152	UR866100	Electrolytic Cap.	1.00 50.0V			01
C153	UR847470	Electrolytic Cap.	47.00 25.0V			01
C154	UR847470	Electrolytic Cap.	47.00 25.0V			01
C155	UX061470	Ceramic Capacitor (chip)	47P 50V J			01
C156	UX061470	Ceramic Capacitor (chip)	47P 50V J			01
C157	UX062100	Ceramic Capacitor (chip)	100P 50V J			01
C158	UX062100	Ceramic Capacitor (chip)	100P 50V J			01
C159	UR847100	Electrolytic Cap.	10.00 25.0V			01
-161	UR847100	Electrolytic Cap.	10.00 25.0V			01
C162	UX145100	Ceramic Capacitor (chip)	0.1000 25V Z			01
-164	UX145100	Ceramic Capacitor (chip)	0.1000 25V Z			01
C165	UR847100	Electrolytic Cap.	10.00 25.0V			01
C166	UR847100	Electrolytic Cap.	10.00 25.0V			01
C167	UX145100	Ceramic Capacitor (chip)	0.1000 25V Z			01
-169	UX145100	Ceramic Capacitor (chip)	0.1000 25V Z			01
C170	UR838100	Electrolytic Cap.	100.00 16.0V			01
C171	UX145100	Ceramic Capacitor (chip)	0.1000 25V Z			01
-174	UX145100	Ceramic Capacitor (chip)	0.1000 25V Z			01
C175	UR838100	Electrolytic Cap.	100.00 16.0V			01
C176	UX145100	Ceramic Capacitor (chip)	0.1000 25V Z			01
-185	UX145100	Ceramic Capacitor (chip)	0.1000 25V Z			01
C187	UX145100	Ceramic Capacitor (chip)	0.1000 25V Z			01
C188	UX145100	Ceramic Capacitor (chip)	0.1000 25V Z			01

*: New Parts

RANK: Japan only

REF NO.	PART NO.	DESCRIPTION		REMARKS	QTY	RANK
C189	UR838100	Electrolytic Cap.	100.00 16.0V			01
C190	UX145100	Ceramic Capacitor (chip)	0.1000 25V Z			01
-192	UX145100	Ceramic Capacitor (chip)	0.1000 25V Z			01
C194	UX145100	Ceramic Capacitor (chip)	0.1000 25V Z			01
-200	UX145100	Ceramic Capacitor (chip)	0.1000 25V Z			01
C202	UX063100	Ceramic Capacitor (chip)	1000P 50V K			01
C203	UR866100	Electrolytic Cap.	1.00 50.0V			01
CN101	VQ045600	Connector , FFC	52044 27P SE			03
CN104	VV066500	Connector Base Post	M2426XX 5P TE			01
EM101	VV056900	Noise Filter	ZJSR5101-223TA			01
-105	VV056900	Noise Filter	ZJSR5101-223TA			01
IC101	XU965A00	IC	UPC29M33T-E1	REGULATOR +3.3V		03
IC102	XY650A00	IC	PST595CMT	SYSTEM RESET		03
IC103	XG948E00	IC	YM3436DK	DIR2		11
IC104	XZ110A00	IC	74HCU04DT	INVERTER		01
IC105	XJ553A00	IC	NJM2068MD-T1	OP AMP		02
-107	XJ553A00	IC	NJM2068MD-T1	OP AMP		02
IC108	XW008A00	IC	AK4522VF-E2	A/D & D/A		07
* IC109	X2416A00	IC	M30622MCA-XXXFP	CPU		
IC110	XT160A00	IC	93LC56T-I/SN	EEPROM 2K		03
IC111	XZ108A00	IC	74HC08DT	AND		01
IC112	XV988A00	IC	YSS910-S	DSP		10
IC113	XT810B00	IC	MSM514260E-60TS-K	DRAM 4M		07
IC114	XT810B00	IC	MSM514260E-60TS-K	DRAM 4M		07
L101	GE300670	Ferrite Bead	BL02RN2-R62T4			02
-107	GE300670	Ferrite Bead	BL02RN2-R62T4			02
L110	V3063400	Inductor (chip)	BLM18BD601SN1D			01
-140	V3063400	Inductor (chip)	BLM18BD601SN1D			01
Q101	VV655000	Digital Transistor	DTA114EKA TP			01
Q102	VV655400	Digital Transistor	DTA114EKA TP			01
Q103	VD303700	Transistor	2SC3326 A,B TE85R			01
Q104	VD303700	Transistor	2SC3326 A,B TE85R			01
Q105	VV655000	Digital Transistor	DTA114EKA TP			01
Q106	VV655000	Digital Transistor	DTA114EKA TP			01
R101	RG000000	Carbon Resistor (chip)	0 0.1 J			
R102	RG000000	Carbon Resistor (chip)	0 0.1 J			
* R107	RG006330	Carbon Resistor (chip)	3.3K 0.1 J			
* R108	RG005470	Carbon Resistor (chip)	470 0.1 J			
R109	RG005100	Carbon Resistor (chip)	100 0.1 J			
R111	RG009100	Carbon Resistor (chip)	1.0M 0.1 J			
R112	RG007100	Carbon Resistor (chip)	10K 0.1 J			
-120	RG007100	Carbon Resistor (chip)	10K 0.1 J			
R125	RG006100	Carbon Resistor (chip)	1.0K 0.1 J			
-130	RG006100	Carbon Resistor (chip)	1.0K 0.1 J			
R133	RG006100	Carbon Resistor (chip)	1.0K 0.1 J			
R134	RG006100	Carbon Resistor (chip)	1.0K 0.1 J			
R135	RG004100	Carbon Resistor (chip)	10 0.1 J			
R136	RG006100	Carbon Resistor (chip)	1.0K 0.1 J			
R137	RG006100	Carbon Resistor (chip)	1.0K 0.1 J			
R141	RG009100	Carbon Resistor (chip)	1.0M 0.1 J			
R142	RG005100	Carbon Resistor (chip)	100 0.1 J			
R143	RG007220	Carbon Resistor (chip)	22K 0.1 J			
R144	RG007220	Carbon Resistor (chip)	22K 0.1 J			
R145	RG006470	Carbon Resistor (chip)	4.7K 0.1 J			
R146	RG004330	Carbon Resistor (chip)	33 0.1 J			
R147	RG006470	Carbon Resistor (chip)	4.7K 0.1 J			
R148	RG006470	Carbon Resistor (chip)	4.7K 0.1 J			
R149	RG004330	Carbon Resistor (chip)	33 0.1 J			
R150	RG006470	Carbon Resistor (chip)	4.7K 0.1 J			
R151	RG006330	Carbon Resistor (chip)	3.3K 0.1 J			
R152	RG006330	Carbon Resistor (chip)	3.3K 0.1 J			
R153	RG006470	Carbon Resistor (chip)	4.7K 0.1 J			
-156	RG006470	Carbon Resistor (chip)	4.7K 0.1 J			
* R157	RG005330	Carbon Resistor (chip)	330 0.1 J			
* -160	RG005330	Carbon Resistor (chip)	330 0.1 J			
R161	RG007100	Carbon Resistor (chip)	10K 0.1 J			
R162	RG007100	Carbon Resistor (chip)	10K 0.1 J			
R163	RG008100	Carbon Resistor (chip)	100K 0.1 J			
-166	RG008100	Carbon Resistor (chip)	100K 0.1 J			
R167	RG006100	Carbon Resistor (chip)	1.0K 0.1 J			

*: New Parts

RANK: Japan only

EMX68S / EMX88S

REF NO.	PART NO.	DESCRIPTION		REMARKS	QTY	RANK
-169	RG006100	Carbon Resistor (chip)	1.0K 0.1 J			
R170	RG007100	Carbon Resistor (chip)	10K 0.1 J			
R171	RG007100	Carbon Resistor (chip)	10K 0.1 J			
* R172	RG006120	Carbon Resistor (chip)	1.2K 0.1 J			
* R173	RG006120	Carbon Resistor (chip)	1.2K 0.1 J			
R174	RG007100	Carbon Resistor (chip)	10K 0.1 J			
* R175	RG006120	Carbon Resistor (chip)	1.2K 0.1 J			
* R176	RG006120	Carbon Resistor (chip)	1.2K 0.1 J			
R178	RG203470	Carbon Resistor (chip)	4.7 1/4 J			
R179	RG007100	Carbon Resistor (chip)	10K 0.1 J			
-181	RG007100	Carbon Resistor (chip)	10K 0.1 J			
R182	RG000000	Carbon Resistor (chip)	0 0.1 J			
R183	RG007100	Carbon Resistor (chip)	10K 0.1 J			
R186	RG006560	Carbon Resistor (chip)	5.6K 0.1 J			
R187	RG007100	Carbon Resistor (chip)	10K 0.1 J			
-189	RG007100	Carbon Resistor (chip)	10K 0.1 J			
R190	RG009100	Carbon Resistor (chip)	1.0M 0.1 J			
R191	RG000000	Carbon Resistor (chip)	0 0.1 J			
R192	RG007100	Carbon Resistor (chip)	10K 0.1 J			
R193	RG005100	Carbon Resistor (chip)	100 0.1 J			
R194	RG005100	Carbon Resistor (chip)	100 0.1 J			
R195	RG007100	Carbon Resistor (chip)	10K 0.1 J			
R196	RG005100	Carbon Resistor (chip)	100 0.1 J			
R201	RG007100	Carbon Resistor (chip)	10K 0.1 J			
-234	RG007100	Carbon Resistor (chip)	10K 0.1 J			
R236	RG000000	Carbon Resistor (chip)	0 0.1 J			
R237	RG000000	Carbon Resistor (chip)	0 0.1 J			
X101	VY891500	Quartz Crystal Unit	12.288 SMD-49			03
X102	V3811500	Ceramic Resonator	16.00M CSTCV16.0			01
X103	V3743900	Ceramic Resonator	30.00M CSTCV30MX			02
*	V8266800	Circuit Board	MIX68	(X0618C0)		
	V4467500	Button	CD-GRAY/WHITE	PAD (CH1-4)	4	01
	--	Jumper Wire	0.60 TP	(V829020)		
	--	Jumper Wire	0.60	(VV29140)		
	VV307300	LED Spacer			23	01
	VZ968600	Button	NO.947 CD-GRAY	SPX ON, SPX TAP STAND-BY (CH1-6 MUTE)	3	01
C101	VV488800	Electrolytic Cap. LLM	10.00 50.0V			01
C102	VV488800	Electrolytic Cap. LLM	10.00 50.0V			01
C103	UR847100	Electrolytic Cap.	10.00 25.0V			01
C104	UR847100	Electrolytic Cap.	10.00 25.0V			01
C105	UX062470	Ceramic Capacitor (chip)	470P 50V J			
-107	UX062470	Ceramic Capacitor (chip)	470P 50V J			
C108	UR828470	Electrolytic Cap.	470.00 10.0V			01
C109	UX062470	Ceramic Capacitor (chip)	470P 50V J			
C110	UX062100	Ceramic Capacitor (chip)	100P 50V J			01
-112	UX062100	Ceramic Capacitor (chip)	100P 50V J			01
C113	UR847100	Electrolytic Cap.	10.00 25.0V			01
C114	UA954150	Mylar Capacitor	0.0150 50V J			01
C115	UA954100	Mylar Capacitor	0.0100 50V J			01
C116	UA954120	Mylar Capacitor	0.0120 50V J			
C117	UA953390	Mylar Capacitor	3900P 50V J			01
* C118	UX061270	Ceramic Capacitor (chip)	27P 50V J			
C119	UX062100	Ceramic Capacitor (chip)	100P 50V J			01
C120	UR847470	Electrolytic Cap.	47.00 25.0V			01
C121	UX063100	Ceramic Capacitor (chip)	1000P 50V K			01
C122	UR847100	Electrolytic Cap.	10.00 25.0V			01
C123	UX062220	Ceramic Capacitor (chip)	220P 50V J			01
C124	UX061680	Ceramic Capacitor (chip)	68P 50V J			01
C125	UR847470	Electrolytic Cap.	47.00 25.0V			01
C126	UX064100	Ceramic Capacitor (chip)	0.0100 50V K			01
-131	UX064100	Ceramic Capacitor (chip)	0.0100 50V K			01
C132	UR877470	Electrolytic Cap.	47.00 63.0V			
C201	VV488800	Electrolytic Cap. LLM	10.00 50.0V			01
C202	VV488800	Electrolytic Cap. LLM	10.00 50.0V			01
C203	UR847100	Electrolytic Cap.	10.00 25.0V			01
C204	UR847100	Electrolytic Cap.	10.00 25.0V			01
C205	UX062470	Ceramic Capacitor (chip)	470P 50V J			
-207	UX062470	Ceramic Capacitor (chip)	470P 50V J			

*: New Parts

RANK: Japan only

REF NO.	PART NO.	DESCRIPTION		REMARKS	QTY	RANK
C208	UR828470	Electrolytic Cap.	470.00 10.0V			01
C209	UX062470	Ceramic Capacitor (chip)	470P 50V J			
C210	UX062100	Ceramic Capacitor (chip)	100P 50V J			01
-212	UX062100	Ceramic Capacitor (chip)	100P 50V J			01
C213	UR847100	Electrolytic Cap.	10.00 25.0V			01
C214	UA954150	Mylar Capacitor	0.0150 50V J			01
C215	UA954100	Mylar Capacitor	0.0100 50V J			01
C216	UA954120	Mylar Capacitor	0.0120 50V J			
C217	UA953390	Mylar Capacitor	3900P 50V J			01
* C218	UX061270	Ceramic Capacitor (chip)	27P 50V J			
C219	UX062100	Ceramic Capacitor (chip)	100P 50V J			01
C220	UR847470	Electrolytic Cap.	47.00 25.0V			01
C221	UX063100	Ceramic Capacitor (chip)	1000P 50V K			01
C222	UR847100	Electrolytic Cap.	10.00 25.0V			01
C223	UX062220	Ceramic Capacitor (chip)	220P 50V J			01
C224	UX061680	Ceramic Capacitor (chip)	68P 50V J			01
C225	UR847470	Electrolytic Cap.	47.00 25.0V			01
C501	UR847100	Electrolytic Cap.	10.00 25.0V			01
C502	VV488800	Electrolytic Cap. LLM	10.00 50.0V			01
C503	VV488800	Electrolytic Cap. LLM	10.00 50.0V			01
C504	UX061470	Ceramic Capacitor (chip)	47P 50V J			
C505	UX062100	Ceramic Capacitor (chip)	100P 50V J			01
C506	UX061220	Ceramic Capacitor (chip)	22P 50V J			01
C507	UX062470	Ceramic Capacitor (chip)	470P 50V J			
C508	UX062470	Ceramic Capacitor (chip)	470P 50V J			
C509	UR847100	Electrolytic Cap.	10.00 25.0V			01
C510	UX062470	Ceramic Capacitor (chip)	470P 50V J			
C511	UR828470	Electrolytic Cap.	470.00 10.0V			01
C512	UX062470	Ceramic Capacitor (chip)	470P 50V J			
C513	UX062100	Ceramic Capacitor (chip)	100P 50V J			01
-516	UX062100	Ceramic Capacitor (chip)	100P 50V J			01
C517	UR847100	Electrolytic Cap.	10.00 25.0V			01
C518	UX061470	Ceramic Capacitor (chip)	47P 50V J			
C519	UR847100	Electrolytic Cap.	10.00 25.0V			01
C520	UA954150	Mylar Capacitor	0.0150 50V J			01
C521	UA954100	Mylar Capacitor	0.0100 50V J			01
C522	UA954120	Mylar Capacitor	0.0120 50V J			
C523	UA953390	Mylar Capacitor	3900P 50V J			01
* C524	UX061270	Ceramic Capacitor (chip)	27P 50V J			
C525	UX062100	Ceramic Capacitor (chip)	100P 50V J			01
C526	UR847470	Electrolytic Cap.	47.00 25.0V			01
C527	UX063100	Ceramic Capacitor (chip)	1000P 50V K			01
C528	UR847100	Electrolytic Cap.	10.00 25.0V			01
C529	UX062220	Ceramic Capacitor (chip)	220P 50V J			01
C530	UX061680	Ceramic Capacitor (chip)	68P 50V J			01
C531	UR847470	Electrolytic Cap.	47.00 25.0V			01
C532	UX064100	Ceramic Capacitor (chip)	0.0100 50V K			01
-541	UX064100	Ceramic Capacitor (chip)	0.0100 50V K			01
C601	UR847100	Electrolytic Cap.	10.00 25.0V			01
C602	VV488800	Electrolytic Cap. LLM	10.00 50.0V			01
C603	VV488800	Electrolytic Cap. LLM	10.00 50.0V			01
C604	UX061470	Ceramic Capacitor (chip)	47P 50V J			
C605	UX062100	Ceramic Capacitor (chip)	100P 50V J			01
C606	UX061220	Ceramic Capacitor (chip)	22P 50V J			01
C607	UX062470	Ceramic Capacitor (chip)	470P 50V J			
C608	UX062470	Ceramic Capacitor (chip)	470P 50V J			
C609	UR847100	Electrolytic Cap.	10.00 25.0V			01
C610	UX062470	Ceramic Capacitor (chip)	470P 50V J			
C611	UR828470	Electrolytic Cap.	470.00 10.0V			01
C612	UX062470	Ceramic Capacitor (chip)	470P 50V J			
C613	UX062100	Ceramic Capacitor (chip)	100P 50V J			01
-616	UX062100	Ceramic Capacitor (chip)	100P 50V J			01
C617	UR847100	Electrolytic Cap.	10.00 25.0V			01
C618	UX061470	Ceramic Capacitor (chip)	47P 50V J			
C619	UR847100	Electrolytic Cap.	10.00 25.0V			01
C620	UA954150	Mylar Capacitor	0.0150 50V J			01
C621	UA954100	Mylar Capacitor	0.0100 50V J			01
C622	UA954120	Mylar Capacitor	0.0120 50V J			
C623	UA953390	Mylar Capacitor	3900P 50V J			01
* C624	UX061270	Ceramic Capacitor (chip)	27P 50V J			

*: New Parts

RANK: Japan only

EMX68S / EMX88S

REF NO.	PART NO.	DESCRIPTION		REMARKS	QTY	RANK
C625	UX062100	Ceramic Capacitor (chip)	100P 50V J			01
C626	UR847470	Electrolytic Cap.	47.00 25.0V			01
C627	UX063100	Ceramic Capacitor (chip)	1000P 50V K			01
C628	UR847100	Electrolytic Cap.	10.00 25.0V			01
C629	UX062220	Ceramic Capacitor (chip)	220P 50V J			01
C630	UX061680	Ceramic Capacitor (chip)	68P 50V J			01
C631	UR847470	Electrolytic Cap.	47.00 25.0V			01
C701	VV488800	Electrolytic Cap. LLM	10.00 50.0V			01
C702	VV488800	Electrolytic Cap. LLM	10.00 50.0V			01
C703	UR847100	Electrolytic Cap.	10.00 25.0V			01
C704	UR847100	Electrolytic Cap.	10.00 25.0V			01
C705	UX062470	Ceramic Capacitor (chip)	470P 50V J			01
-707	UX062470	Ceramic Capacitor (chip)	470P 50V J			01
C708	UR828470	Electrolytic Cap.	470.00 10.0V			01
C709	UX062470	Ceramic Capacitor (chip)	470P 50V J			01
C710	UX062100	Ceramic Capacitor (chip)	100P 50V J			01
-712	UX062100	Ceramic Capacitor (chip)	100P 50V J			01
C713	UR847100	Electrolytic Cap.	10.00 25.0V			01
C714	UX062100	Ceramic Capacitor (chip)	100P 50V J			01
C715	UX062100	Ceramic Capacitor (chip)	100P 50V J			01
C716	UX061680	Ceramic Capacitor (chip)	68P 50V J			01
C717	UX061680	Ceramic Capacitor (chip)	68P 50V J			01
C718	UR847100	Electrolytic Cap.	10.00 25.0V			01
C719	UR847100	Electrolytic Cap.	10.00 25.0V			01
C720	UA954100	Mylar Capacitor	0.0100 50V J			01
C721	UA954120	Mylar Capacitor	0.0120 50V J			01
C722	UA954150	Mylar Capacitor	0.0150 50V J			01
C723	UA954100	Mylar Capacitor	0.0100 50V J			01
C724	UA954120	Mylar Capacitor	0.0120 50V J			01
C725	UA954150	Mylar Capacitor	0.0150 50V J			01
C726	UA953390	Mylar Capacitor	3900P 50V J			01
C727	UA953390	Mylar Capacitor	3900P 50V J			01
* C728	UX061270	Ceramic Capacitor (chip)	27P 50V J			01
* C729	UX062100	Ceramic Capacitor (chip)	100P 50V J			01
* C730	UX061270	Ceramic Capacitor (chip)	27P 50V J			01
C731	UX062100	Ceramic Capacitor (chip)	100P 50V J			01
C732	UR847470	Electrolytic Cap.	47.00 25.0V			01
C733	UR847470	Electrolytic Cap.	47.00 25.0V			01
C734	UX063100	Ceramic Capacitor (chip)	1000P 50V K			01
C735	UX063100	Ceramic Capacitor (chip)	1000P 50V K			01
C736	UR847100	Electrolytic Cap.	10.00 25.0V			01
C737	UR847100	Electrolytic Cap.	10.00 25.0V			01
C738	UX062220	Ceramic Capacitor (chip)	220P 50V J			01
C739	UX062220	Ceramic Capacitor (chip)	220P 50V J			01
C740	UX061680	Ceramic Capacitor (chip)	68P 50V J			01
C741	UX061680	Ceramic Capacitor (chip)	68P 50V J			01
C742	UR847470	Electrolytic Cap.	47.00 25.0V			01
C743	UR847470	Electrolytic Cap.	47.00 25.0V			01
C744	UX064100	Ceramic Capacitor (chip)	0.0100 50V K			01
-751	UX064100	Ceramic Capacitor (chip)	0.0100 50V K			01
C752	UR877470	Electrolytic Cap.	47.00 63.0V			01
C801	VV488800	Electrolytic Cap. LLM	10.00 50.0V			01
C802	VV488800	Electrolytic Cap. LLM	10.00 50.0V			01
C803	UR847100	Electrolytic Cap.	10.00 25.0V			01
C804	UR847100	Electrolytic Cap.	10.00 25.0V			01
C805	UX062470	Ceramic Capacitor (chip)	470P 50V J			01
-807	UX062470	Ceramic Capacitor (chip)	470P 50V J			01
C808	UR828470	Electrolytic Cap.	470.00 10.0V			01
C809	UX062470	Ceramic Capacitor (chip)	470P 50V J			01
C810	UX062100	Ceramic Capacitor (chip)	100P 50V J			01
-812	UX062100	Ceramic Capacitor (chip)	100P 50V J			01
C813	UR847100	Electrolytic Cap.	10.00 25.0V			01
C814	UX062100	Ceramic Capacitor (chip)	100P 50V J			01
C815	UX062100	Ceramic Capacitor (chip)	100P 50V J			01
C816	UX061680	Ceramic Capacitor (chip)	68P 50V J			01
C817	UX061680	Ceramic Capacitor (chip)	68P 50V J			01
C818	UR847100	Electrolytic Cap.	10.00 25.0V			01
C819	UR847100	Electrolytic Cap.	10.00 25.0V			01
C820	UA954100	Mylar Capacitor	0.0100 50V J			01
C821	UA954120	Mylar Capacitor	0.0120 50V J			01

*: New Parts

RANK: Japan only

REF NO.	PART NO.	DESCRIPTION		REMARKS	QTY	RANK
C822	UA954150	Mylar Capacitor	0.0150 50V J			01
C823	UA954100	Mylar Capacitor	0.0100 50V J			01
C824	UA954120	Mylar Capacitor	0.0120 50V J			01
C825	UA954150	Mylar Capacitor	0.0150 50V J			01
C826	UA953390	Mylar Capacitor	3900P 50V J			01
C827	UA953390	Mylar Capacitor	3900P 50V J			01
* C828	UX061270	Ceramic Capacitor (chip)	27P 50V J			01
C829	UX062100	Ceramic Capacitor (chip)	100P 50V J			01
* C830	UX061270	Ceramic Capacitor (chip)	27P 50V J			01
C831	UX062100	Ceramic Capacitor (chip)	100P 50V J			01
C832	UR847470	Electrolytic Cap.	47.00 25.0V			01
C833	UR847470	Electrolytic Cap.	47.00 25.0V			01
C834	UX063100	Ceramic Capacitor (chip)	1000P 50V K			01
C835	UX063100	Ceramic Capacitor (chip)	1000P 50V K			01
C836	UR847100	Electrolytic Cap.	10.00 25.0V			01
C837	UR847100	Electrolytic Cap.	10.00 25.0V			01
C838	UX062220	Ceramic Capacitor (chip)	220P 50V J			01
C839	UX062220	Ceramic Capacitor (chip)	220P 50V J			01
C840	UX061680	Ceramic Capacitor (chip)	68P 50V J			01
C841	UX061680	Ceramic Capacitor (chip)	68P 50V J			01
C842	UR847470	Electrolytic Cap.	47.00 25.0V			01
C843	UR847470	Electrolytic Cap.	47.00 25.0V			01
C844	UX064100	Ceramic Capacitor (chip)	0.0100 50V K			01
-849	UX064100	Ceramic Capacitor (chip)	0.0100 50V K			01
C901	UR866220	Electrolytic Cap.	2.20 50.0V			01
C902	UR866330	Electrolytic Cap.	3.30 50.0V			01
C903	UR877470	Electrolytic Cap.	47.00 63.0V			01
-906	UR877470	Electrolytic Cap.	47.00 63.0V			01
C907	UR847100	Electrolytic Cap.	10.00 25.0V			01
-909	UR847100	Electrolytic Cap.	10.00 25.0V			01
C910	UX062220	Ceramic Capacitor (chip)	220P 50V J			01
-912	UX062220	Ceramic Capacitor (chip)	220P 50V J			01
* C913	UX060600	Ceramic Capacitor (chip)	6P 50V C			01
* -915	UX060600	Ceramic Capacitor (chip)	6P 50V C			01
C916	UR847100	Electrolytic Cap.	10.00 25.0V			01
-918	UR847100	Electrolytic Cap.	10.00 25.0V			01
C919	UX064100	Ceramic Capacitor (chip)	0.0100 50V K			01
-923	UX064100	Ceramic Capacitor (chip)	0.0100 50V K			01
C924	UX062220	Ceramic Capacitor (chip)	220P 50V J			01
-927	UX062220	Ceramic Capacitor (chip)	220P 50V J			01
C928	UX064100	Ceramic Capacitor (chip)	0.0100 50V K			01
C929	UX064100	Ceramic Capacitor (chip)	0.0100 50V K			01
C930	UX061470	Ceramic Capacitor (chip)	47P 50V J			01
C931	UX061470	Ceramic Capacitor (chip)	47P 50V J			01
* C932	UX060600	Ceramic Capacitor (chip)	6P 50V C			01
C933	UX061220	Ceramic Capacitor (chip)	22P 50V J			01
C934	UX064100	Ceramic Capacitor (chip)	0.0100 50V K			01
C935	UR847470	Electrolytic Cap.	47.00 25.0V			01
-940	UR847470	Electrolytic Cap.	47.00 25.0V			01
C941	UA655820	Mylar Capacitor	0.8200 50V J			01
C942	UA655470	Mylar Capacitor	0.4700 50V J			01
C943	UA655220	Mylar Capacitor	0.2200 50V J			01
C944	V5868900	Mylar Capacitor	0.1 50V J			01
C945	UA954470	Mylar Capacitor	0.0470 50V J			01
C946	UA954270	Mylar Capacitor	0.0270 50V J			01
C947	UA954120	Mylar Capacitor	0.0120 50V J			01
C948	UA655820	Mylar Capacitor	0.8200 50V J			01
C949	UA655470	Mylar Capacitor	0.4700 50V J			01
C950	UA655220	Mylar Capacitor	0.2200 50V J			01
C951	V5868900	Mylar Capacitor	0.1 50V J			01
C952	UA954470	Mylar Capacitor	0.0470 50V J			01
C953	UA954270	Mylar Capacitor	0.0270 50V J			01
C954	UA954120	Mylar Capacitor	0.0120 50V J			01
C955	UA655820	Mylar Capacitor	0.8200 50V J			01
C956	UA655470	Mylar Capacitor	0.4700 50V J			01
C957	UA655220	Mylar Capacitor	0.2200 50V J			01
C958	V5868900	Mylar Capacitor	0.1 50V J			01
C959	UA954470	Mylar Capacitor	0.0470 50V J			01
C960	UA954270	Mylar Capacitor	0.0270 50V J			01
C961	UA954120	Mylar Capacitor	0.0120 50V J			01

*: New Parts

RANK: Japan only

EMX68S / EMX88S

REF NO.	PART NO.	DESCRIPTION		REMARKS	QTY	RANK
C962	UA954820	Mylar Capacitor	0.0820 50V J			01
C963	UA954390	Mylar Capacitor	0.0390 50V J			01
C964	UA954180	Mylar Capacitor	0.0180 50V J			01
C965	UA954100	Mylar Capacitor	0.0100 50V J			01
C966	UA953470	Mylar Capacitor	4700P 50V J			01
C967	UA953220	Mylar Capacitor	2200P 50V J			01
C968	UA953120	Mylar Capacitor	1200P 50V J			01
C969	UA954820	Mylar Capacitor	0.0820 50V J			01
C970	UA954390	Mylar Capacitor	0.0390 50V J			01
C971	UA954180	Mylar Capacitor	0.0180 50V J			01
C972	UA954100	Mylar Capacitor	0.0100 50V J			01
C973	UA953470	Mylar Capacitor	4700P 50V J			01
C974	UA953220	Mylar Capacitor	2200P 50V J			01
C975	UA953120	Mylar Capacitor	1200P 50V J			01
C976	UA954820	Mylar Capacitor	0.0820 50V J			01
C977	UA954390	Mylar Capacitor	0.0390 50V J			01
C978	UA954180	Mylar Capacitor	0.0180 50V J			01
C979	UA954100	Mylar Capacitor	0.0100 50V J			01
C980	UA953470	Mylar Capacitor	4700P 50V J			01
C981	UA953220	Mylar Capacitor	2200P 50V J			01
C982	UA953120	Mylar Capacitor	1200P 50V J			01
C983	UX064100	Ceramic Capacitor (chip)	0.0100 50V K			01
-985	UX064100	Ceramic Capacitor (chip)	0.0100 50V K			01
C986	UX062470	Ceramic Capacitor (chip)	470P 50V J			01
C987	UX064100	Ceramic Capacitor (chip)	0.0100 50V K			01
-989	UX064100	Ceramic Capacitor (chip)	0.0100 50V K			01
C990	UX062470	Ceramic Capacitor (chip)	470P 50V J			01
C991	UX064100	Ceramic Capacitor (chip)	0.0100 50V K			01
-994	UX064100	Ceramic Capacitor (chip)	0.0100 50V K			01
C995	UX062470	Ceramic Capacitor (chip)	470P 50V J			01
C996	UX064100	Ceramic Capacitor (chip)	0.0100 50V K			01
C997	UX064100	Ceramic Capacitor (chip)	0.0100 50V K			01
C998	UR847470	Electrolytic Cap.	47.00 25.0V			01
C999	UR847470	Electrolytic Cap.	47.00 25.0V			01
CA01	UR847470	Electrolytic Cap.	47.00 25.0V			01
CA02	UR847100	Electrolytic Cap.	10.00 25.0V			01
CA03	UR847100	Electrolytic Cap.	10.00 25.0V			01
CA04	UX063100	Ceramic Capacitor (chip)	1000P 50V K			01
CA05	UR847100	Electrolytic Cap.	10.00 25.0V			01
CA06	UR847100	Electrolytic Cap.	10.00 25.0V			01
CA07	UX062220	Ceramic Capacitor (chip)	220P 50V J			01
CA08	UX061680	Ceramic Capacitor (chip)	68P 50V J			01
CA09	UR847470	Electrolytic Cap.	47.00 25.0V			01
CA10	UR847100	Electrolytic Cap.	10.00 25.0V			01
CA11	UX062220	Ceramic Capacitor (chip)	220P 50V J			01
CA12	UX061680	Ceramic Capacitor (chip)	68P 50V J			01
CA13	UR847470	Electrolytic Cap.	47.00 25.0V			01
CA14	UR847100	Electrolytic Cap.	10.00 25.0V			01
CA15	UX061470	Ceramic Capacitor (chip)	47P 50V J			01
CA16	UR847470	Electrolytic Cap.	47.00 25.0V			01
CA17	UX061470	Ceramic Capacitor (chip)	47P 50V J			01
CA18	UX062100	Ceramic Capacitor (chip)	100P 50V J			01
CA19	UR847470	Electrolytic Cap.	47.00 25.0V			01
CA20	UR847100	Electrolytic Cap.	10.00 25.0V			01
CA21	UX062220	Ceramic Capacitor (chip)	220P 50V J			01
CA22	UX061680	Ceramic Capacitor (chip)	68P 50V J			01
CA23	UR847470	Electrolytic Cap.	47.00 25.0V			01
CA24	UR847100	Electrolytic Cap.	10.00 25.0V			01
CA25	UX062220	Ceramic Capacitor (chip)	220P 50V J			01
CA26	UX061680	Ceramic Capacitor (chip)	68P 50V J			01
CA27	UR847470	Electrolytic Cap.	47.00 25.0V			01
CA28	UX064100	Ceramic Capacitor (chip)	0.0100 50V K			01
-A33	UX064100	Ceramic Capacitor (chip)	0.0100 50V K			01
CA34	UX062100	Ceramic Capacitor (chip)	100P 50V J			01
CA35	UX061470	Ceramic Capacitor (chip)	47P 50V J			01
CA36	UX062220	Ceramic Capacitor (chip)	220P 50V J			01
CA37	UX061470	Ceramic Capacitor (chip)	47P 50V J			01
CA38	UX062220	Ceramic Capacitor (chip)	220P 50V J			01
CA39	UX061470	Ceramic Capacitor (chip)	47P 50V J			01
CA40	UX062220	Ceramic Capacitor (chip)	220P 50V J			01

*: New Parts

RANK: Japan only

REF NO.	PART NO.	DESCRIPTION		REMARKS	QTY	RANK
CA41	UX061470	Ceramic Capacitor (chip)	47P 50V J			
CA42	UX062220	Ceramic Capacitor (chip)	220P 50V J			01
* CA43	UX060600	Ceramic Capacitor (chip)	6P 50V C			
CA44	UX062220	Ceramic Capacitor (chip)	220P 50V J			01
CA45	UX061470	Ceramic Capacitor (chip)	47P 50V J			
CA46	UX062220	Ceramic Capacitor (chip)	220P 50V J			01
CA47	UX061220	Ceramic Capacitor (chip)	22P 50V J			01
CA48	UX062220	Ceramic Capacitor (chip)	220P 50V J			01
CA49	UX061470	Ceramic Capacitor (chip)	47P 50V J			
CA50	UX062220	Ceramic Capacitor (chip)	220P 50V J			01
CA51	UX064100	Ceramic Capacitor (chip)	0.0100 50V K			01
-A58	UX064100	Ceramic Capacitor (chip)	0.0100 50V K			01
CB01	UA655120	Mylar Capacitor	0.1200 50V J			01
CB02	UA655120	Mylar Capacitor	0.1200 50V J			01
CB03	UR828470	Electrolytic Cap.	470.00 10.0V			01
CB04	UA655120	Mylar Capacitor	0.1200 50V J			01
CB05	UA655120	Mylar Capacitor	0.1200 50V J			01
CB06	UR828470	Electrolytic Cap.	470.00 10.0V			01
CB07	UX062100	Ceramic Capacitor (chip)	100P 50V J			01
CB08	UX064100	Ceramic Capacitor (chip)	0.0100 50V K			01
CB09	UX062220	Ceramic Capacitor (chip)	220P 50V J			01
CB10	UX062100	Ceramic Capacitor (chip)	100P 50V J			01
CB11	UX064100	Ceramic Capacitor (chip)	0.0100 50V K			01
CB12	UX062220	Ceramic Capacitor (chip)	220P 50V J			01
CB13	UX063100	Ceramic Capacitor (chip)	1000P 50V K			01
CB14	UX062470	Ceramic Capacitor (chip)	470P 50V J			
CB15	UR847100	Electrolytic Cap.	10.00 25.0V			01
CB16	UX063100	Ceramic Capacitor (chip)	1000P 50V K			01
CB17	UX062470	Ceramic Capacitor (chip)	470P 50V J			
CB18	UR847100	Electrolytic Cap.	10.00 25.0V			01
CB19	UR866100	Electrolytic Cap.	1.00 50.0V			01
CB20	UR866100	Electrolytic Cap.	1.00 50.0V			01
CB21	UX064100	Ceramic Capacitor (chip)	0.0100 50V K			01
-B26	UX064100	Ceramic Capacitor (chip)	0.0100 50V K			01
CN901	VQ047800	Connector, FFC	52045 27P TE			02
CN903	VV067500	Connector Base Post	M2426XX 15P TE			01
D501	VT332900	Diode	1SS355 TE-17			01
D502	VT332900	Diode	1SS355 TE-17			01
D601	VT332900	Diode	1SS355 TE-17			01
D602	VT332900	Diode	1SS355 TE-17			01
D901	VT332900	Diode	1SS355 TE-17			01
-904	VT332900	Diode	1SS355 TE-17			01
EM901	VV056900	Noise Filter	ZJSR5101-223TA			01
EM902	VV056900	Noise Filter	ZJSR5101-223TA			01
EN901	VZ303900	Rotary Encoder	SDB161PVB	PROGRAM		06
IC101	XJ553A00	IC	NJM2068MD-T1	OP AMP		02
IC102	IG103520	IC	NJM4558M(T1)	OP AMP		03
IC103	IG103520	IC	NJM4558M(T1)	OP AMP		03
* IC501	XV423A00	IC	TL072CPSR	OP AMP		
IC502	XJ553A00	IC	NJM2068MD-T1	OP AMP		02
IC503	XJ553A00	IC	NJM2068MD-T1	OP AMP		02
IC504	IG103520	IC	NJM4558M(T1)	OP AMP		03
IC505	IG103520	IC	NJM4558M(T1)	OP AMP		03
IC701	XJ553A00	IC	NJM2068MD-T1	OP AMP		02
IC702	IG103520	IC	NJM4558M(T1)	OP AMP		03
IC703	IG103520	IC	NJM4558M(T1)	OP AMP		03
IC704	XJ553A00	IC	NJM2068MD-T1	OP AMP		02
IC801	XJ553A00	IC	NJM2068MD-T1	OP AMP		02
IC802	IG103520	IC	NJM4558M(T1)	OP AMP		03
IC803	IG103520	IC	NJM4558M(T1)	OP AMP		03
IC901	XJ553A00	IC	NJM2068MD-T1	OP AMP		02
-904	XJ553A00	IC	NJM2068MD-T1	OP AMP		02
* IC905	XM560A00	IC	NJM2060M(T2)OP	OP AMP		
* -910	XM560A00	IC	NJM2060M(T2)OP	OP AMP		
IC911	XZ348A00	IC	LB1423N	LED DRIVER		02
-913	XZ348A00	IC	LB1423N	LED DRIVER		02
IC914	XJ553A00	IC	NJM2068MD-T1	OP AMP		02
-917	XJ553A00	IC	NJM2068MD-T1	OP AMP		02
IC918	IG103520	IC	NJM4558M(T1)	OP AMP		03
IC919	IG103520	IC	NJM4558M(T1)	OP AMP		03

*: New Parts

RANK: Japan only

EMX68S / EMX88S

REF NO.	PART NO.	DESCRIPTION		REMARKS	QTY	RANK
IC920	XJ553A00	IC	NJM2068MD-T1	OP AMP		02
-923	XJ553A00	IC	NJM2068MD-T1	OP AMP		02
JK101	V6127200	XML Connector	JY-5042	Low-Z (CH1)		03
JK102	V2886000	Phone Jack	JY-6351J-06-340	Hi-Z (CH1)		02
JK201	V6127200	XML Connector	JY-5042	Low-Z (CH2)		03
JK202	V2886000	Phone Jack	JY-6351J-06-340	Hi-Z (CH2)		02
JK501	V6127200	XML Connector	JY-5042	Low-Z (CH3)		03
JK502	V2886000	Phone Jack	JY-6351J-06-340	Super Hi-Z (CH3)		02
JK601	V6127200	XML Connector	JY-5042	Low-Z (CH4)		03
JK602	V2886000	Phone Jack	JY-6351J-06-340	Super Hi-Z (CH4)		02
JK701	V6127200	XML Connector	JY-5042	MIC (CH5)		03
JK702	V2886000	Phone Jack	JY-6351J-06-340	LINE L MONO (CH5)		02
JK703	V2886000	Phone Jack	JY-6351J-06-340	LINE R (CH5)		02
JK801	V6127200	XML Connector	JY-5042	MIC (CH6)		03
JK802	V2886000	Phone Jack	JY-6351J-06-340	LINE L MONO (CH6)		02
JK803	V2886000	Phone Jack	JY-6351J-06-340	LINE R (CH6)		02
JK901	V2886000	Phone Jack	JY-6351J-06-340	AUX IN L MONO		02
JK902	V2886000	Phone Jack	JY-6351J-06-340	AUX IN R		02
JK903	V4807700	Pin Jack	RJ-1130A-09-0320A	2TR IN (L, R) REC OUT (L, R)		03
JK904	V2886000	Phone Jack	JY-6351J-06-340	FOOT SW (EFFECT ON/OFF)		02
JK905	V2886000	Phone Jack	JY-6351J-06-340	FOOT SW (TAP)		02
JK906	V2886000	Phone Jack	JY-6351J-06-340	OUTPUT MAIN L		02
JK907	V2886000	Phone Jack	JY-6351J-06-340	OUTPUT MAIN R		02
JK908	V2886000	Phone Jack	JY-6351J-06-340	OUTPUT MONITOR		02
JK909	V2886000	Phone Jack	JY-6351J-06-340	EFFECT OUT		02
* LD901	V8840100	LED	L34HD-TNB5/13.6 RED	STAND-BY (CH1-6 MUTE)		
* LD902	V8840400	LED	L34YD-TNB5/13.6 YELLOW	SPX ON		
* LD903	V8840200	LED	L34GD-TNB5/13.6 GREEN	SPX TAP		
* LD904	V8840400	LED	L34YD-TNB5/13.6	+6 (MAIN L)		
* LD905	V8840400	LED	L34YD-TNB5/13.6	+3 (MAIN L)		
* LD906	V8840400	LED	L34YD-TNB5/13.6	0 (MAIN L)		
* LD907	V8840200	LED	L34GD-TNB5/13.6	-5 (MAIN L)		
* LD908	V8840200	LED	L34GD-TNB5/13.6	-10(MAIN L)		
* LD909	V8840400	LED	L34YD-TNB5/13.6	+6 (MAIN R)		
* LD910	V8840400	LED	L34YD-TNB5/13.6	+3 (MAIN R)		
* LD911	V8840400	LED	L34YD-TNB5/13.6	0 (MAIN R)		
* LD912	V8840200	LED	L34GD-TNB5/13.6	-5 (MAIN R)		
* LD913	V8840200	LED	L34GD-TNB5/13.6	-10 (MAIN R)		
* LD914	V8840400	LED	L34YD-TNB5/13.6	+6 (MONITOR)		
* LD915	V8840400	LED	L34YD-TNB5/13.6	+3 (MONITOR)		
* LD916	V8840400	LED	L34YD-TNB5/13.6	0 (MONITOR)		
* LD917	V8840200	LED	L34GD-TNB5/13.6	-5 (MONITOR)		
* LD918	V8840200	LED	L34GD-TNB5/13.6	-10 (MONITOR)		
* LD919	V8840100	LED	L34HD-TNB5/13.6 RED	LIMITER A		
* LD920	V8840100	LED	L34HD-TNB5/13.6 RED	LIMITER B		
* LD921	V8840400	LED	L34YD-TNB5/13.6	YSP		
* LD922	V8840200	LED	L34GD-TNB5/13.6	POWER		
* LD923	V8840400	LED	L34YD-TNB5/13.6	PHANTOM		
* Q101	V7421700	Transistor (chip)	2SC2SC3324 GR,BL			
* Q102	V7421700	Transistor (chip)	2SC2SC3324 GR,BL			
* Q201	V7421700	Transistor (chip)	2SC2SC3324 GR,BL			
* Q202	V7421700	Transistor (chip)	2SC2SC3324 GR,BL			
* Q501	V7421700	Transistor (chip)	2SC2SC3324 GR,BL			
* Q502	V7421700	Transistor (chip)	2SC2SC3324 GR,BL			
* Q601	V7421700	Transistor (chip)	2SC2SC3324 GR,BL			
* Q602	V7421700	Transistor (chip)	2SC2SC3324 GR,BL			
* Q701	V7421700	Transistor (chip)	2SC2SC3324 GR,BL			
* Q702	V7421700	Transistor (chip)	2SC2SC3324 GR,BL			
* Q801	V7421700	Transistor (chip)	2SC2SC3324 GR,BL			
* Q802	V7421700	Transistor (chip)	2SC2SC3324 GR,BL			
* Q901	V7421800	Transistor	2SA2SA1312 GR,BL			
* Q902	V7421800	Transistor	2SA2SA1312 GR,BL			
Q903	VD303700	Transistor	2SC3326 A,B TE85R			01
-906	VD303700	Transistor	2SC3326 A,B TE85R			01
Q907	VV655400	Digital Transistor	DTC114EKA TP			01
Q908	VV655400	Digital Transistor	DTC114EKA TP			01
* Q909	V7421800	Transistor	2SA2SA1312 GR,BL			
* Q910	V7421800	Transistor	2SA2SA1312 GR,BL			
* Q911	V7421700	Transistor (chip)	2SC2SC3324 GR,BL			

*: New Parts

RANK: Japan only

REF NO.	PART NO.	DESCRIPTION	REMARKS	QTY	RANK
* Q912	V7421700	Transistor (chip)	2SC2SC3324 GR,BL		
Q913	VV655400	Digital Transistor	DTC114EKA TP		01
* Q914	V7421800	Transistor	2SA2SA1312 GR,BL		
* Q915	V7421800	Transistor	2SA2SA1312 GR,BL		
* Q916	V7421700	Transistor (chip)	2SC2SC3324 GR,BL		
* Q917	V7421700	Transistor (chip)	2SC2SC3324 GR,BL		
Q918	VV655400	Digital Transistor	DTC114EKA TP		01
Q919	VV655400	Digital Transistor	DTC114EKA TP		01
Q920	VV655000	Digital Transistor	DTA114EKA TP		01
Q921	VV655400	Digital Transistor	DTC114EKA TP		01
Q922	VV655000	Digital Transistor	DTA114EKA TP		01
R101	RG008100	Carbon Resistor (chip)	100K 0.1 J		
R102	V2440200	Metal Film Resistor	2.4K 1/4 F		01
* R103	RF356390	Carbon Resistor (chip)	3.9K D 1608		
R104	RG008100	Carbon Resistor (chip)	100K 0.1 J		
R105	V2440200	Metal Film Resistor	2.4K 1/4 F		01
* R106	RF356390	Carbon Resistor (chip)	3.9K D 1608		
* R107	RG007150	Carbon Resistor (chip)	15K 0.1 J		
R108	RG004100	Carbon Resistor (chip)	10 0.1 J		
R109	RG004100	Carbon Resistor (chip)	10 0.1 J		
* R110	RF357470	Carbon Resistor (chip)	47.0K D 1608		
* R111	RF357470	Carbon Resistor (chip)	47.0K D 1608		
R112	RG004100	Carbon Resistor (chip)	10 0.1 J		
R113	RF356220	Carbon Resistor (chip)	2.2K D 1608		
* R114	RF356820	Carbon Resistor (chip)	8.2K D 1608		
R115	RG006820	Carbon Resistor (chip)	8.2K 0.1 J		
* R116	RG005150	Carbon Resistor (chip)	150 0.1 J		
* R117	RF356220	Carbon Resistor (chip)	2.2K D 1608		
* R118	RF356820	Carbon Resistor (chip)	8.2K D 1608		
R119	RG004100	Carbon Resistor (chip)	10 0.1 J		
R120	RF357100	Carbon Resistor (chip)	10.0K D 1608		01
R121	RF357100	Carbon Resistor (chip)	10.0K D 1608		01
R122	RG007100	Carbon Resistor (chip)	10K 0.1 J		
R123	RG005680	Carbon Resistor (chip)	680 0.1 J		
R124	RG006270	Carbon Resistor (chip)	2.7K 0.1 J		
R125	RG007100	Carbon Resistor (chip)	10K 0.1 J		
R126	RG006270	Carbon Resistor (chip)	2.7K 0.1 J		
R127	RG007100	Carbon Resistor (chip)	10K 0.1 J		
R128	RG005680	Carbon Resistor (chip)	680 0.1 J		
R129	RG006270	Carbon Resistor (chip)	2.7K 0.1 J		
R130	RG004100	Carbon Resistor (chip)	10 0.1 J		
R131	RG007180	Carbon Resistor (chip)	18K 0.1 J		
R132	RG005220	Carbon Resistor (chip)	220 0.1 J		
* R133	RG006180	Carbon Resistor (chip)	1.8K 0.1 J		
R134	RG007100	Carbon Resistor (chip)	10K 0.1 J		
R135	RG004100	Carbon Resistor (chip)	10 0.1 J		
R136	RG007100	Carbon Resistor (chip)	10K 0.1 J		
R137	RG007100	Carbon Resistor (chip)	10K 0.1 J		
R138	RG007220	Carbon Resistor (chip)	22K 0.1 J		
R139	RG007220	Carbon Resistor (chip)	22K 0.1 J		
R140	RG007180	Carbon Resistor (chip)	18K 0.1 J		
R141	RG007180	Carbon Resistor (chip)	18K 0.1 J		
R142	VV058400	Flame Proof C. Resistor	390.0 1/4 J		01
R143	RG008100	Carbon Resistor (chip)	100K 0.1 J		
R201	RG008100	Carbon Resistor (chip)	100K 0.1 J		
R202	V2440200	Metal Film Resistor	2.4K 1/4 F		01
* R203	RF356390	Carbon Resistor (chip)	3.9K D 1608		
R204	RG008100	Carbon Resistor (chip)	100K 0.1 J		
R205	V2440200	Metal Film Resistor	2.4K 1/4 F		01
* R206	RF356390	Carbon Resistor (chip)	3.9K D 1608		
* R207	RG007150	Carbon Resistor (chip)	15K 0.1 J		
R208	RG004100	Carbon Resistor (chip)	10 0.1 J		
R209	RG004100	Carbon Resistor (chip)	10 0.1 J		
* R210	RF357470	Carbon Resistor (chip)	47.0K D 1608		
* R211	RF357470	Carbon Resistor (chip)	47.0K D 1608		
R212	RG004100	Carbon Resistor (chip)	10 0.1 J		
* R213	RF356220	Carbon Resistor (chip)	2.2K D 1608		
* R214	RF356820	Carbon Resistor (chip)	8.2K D 1608		
R215	RG006820	Carbon Resistor (chip)	8.2K 0.1 J		
* R216	RG005150	Carbon Resistor (chip)	150 0.1 J		

*: New Parts

RANK: Japan only

EMX68S / EMX88S

REF NO.	PART NO.	DESCRIPTION	REMARKS	QTY	RANK
*	R217	RF356220	Carbon Resistor (chip) 2.2K D 1608		
*	R218	RF356820	Carbon Resistor (chip) 8.2K D 1608		
	R219	RG004100	Carbon Resistor (chip) 10 0.1 J		
	R220	RF357100	Carbon Resistor (chip) 10.0K D 1608		01
	R221	RF357100	Carbon Resistor (chip) 10.0K D 1608		01
	R222	RG007100	Carbon Resistor (chip) 10K 0.1 J		
	R223	RG005680	Carbon Resistor (chip) 680 0.1 J		
	R224	RG006270	Carbon Resistor (chip) 2.7K 0.1 J		
	R225	RG007100	Carbon Resistor (chip) 10K 0.1 J		
	R226	RG006270	Carbon Resistor (chip) 2.7K 0.1 J		
	R227	RG007100	Carbon Resistor (chip) 10K 0.1 J		
	R228	RG005680	Carbon Resistor (chip) 680 0.1 J		
	R229	RG006270	Carbon Resistor (chip) 2.7K 0.1 J		
	R230	RG004100	Carbon Resistor (chip) 10 0.1 J		
	R231	RG007180	Carbon Resistor (chip) 18K 0.1 J		
	R232	RG005220	Carbon Resistor (chip) 220 0.1 J		
*	R233	RG006180	Carbon Resistor (chip) 1.8K 0.1 J		
	R234	RG007100	Carbon Resistor (chip) 10K 0.1 J		
	R235	RG004100	Carbon Resistor (chip) 10 0.1 J		
	R236	RG007100	Carbon Resistor (chip) 10K 0.1 J		
	R237	RG007100	Carbon Resistor (chip) 10K 0.1 J		
	R238	RG007220	Carbon Resistor (chip) 22K 0.1 J		
	R239	RG007220	Carbon Resistor (chip) 22K 0.1 J		
	R240	RG007180	Carbon Resistor (chip) 18K 0.1 J		
	R241	RG007180	Carbon Resistor (chip) 18K 0.1 J		
	R501	RG006100	Carbon Resistor (chip) 1.0K 0.1 J		
	R502	V2440200	Metal Film Resistor 2.4K 1/4 F		01
	R503	V2440200	Metal Film Resistor 2.4K 1/4 F		01
	R504	RG008470	Carbon Resistor (chip) 470K 0.1 J		
*	R505	RG007150	Carbon Resistor (chip) 15K 0.1 J		
	R506	RG004100	Carbon Resistor (chip) 10 0.1 J		
	R507	RG004100	Carbon Resistor (chip) 10 0.1 J		
	R508	RG006470	Carbon Resistor (chip) 4.7K 0.1 J		
*	R509	RF357470	Carbon Resistor (chip) 47.0K D 1608		
*	R510	RF357470	Carbon Resistor (chip) 47.0K D 1608		
	R511	RG007470	Carbon Resistor (chip) 47K 0.1 J		
	R512	RG004100	Carbon Resistor (chip) 10 0.1 J		
	R513	RG004330	Carbon Resistor (chip) 33 0.1 J		
*	R514	RF356220	Carbon Resistor (chip) 2.2K D 1608		
*	R515	RF356820	Carbon Resistor (chip) 8.2K D 1608		
	R516	RG006820	Carbon Resistor (chip) 8.2K 0.1 J		
*	R517	RG005150	Carbon Resistor (chip) 150 0.1 J		
*	R518	RF356220	Carbon Resistor (chip) 2.2K D 1608		
*	R519	RF356820	Carbon Resistor (chip) 8.2K D 1608		
	R520	RG004100	Carbon Resistor (chip) 10 0.1 J		
	R521	RF357100	Carbon Resistor (chip) 10.0K D 1608		01
	R522	RF357100	Carbon Resistor (chip) 10.0K D 1608		01
	R523	RG007180	Carbon Resistor (chip) 18K 0.1 J		
	R524	RG007180	Carbon Resistor (chip) 18K 0.1 J		
	R525	RG008100	Carbon Resistor (chip) 100K 0.1 J		
	R526	RG006820	Carbon Resistor (chip) 8.2K 0.1 J		
	R527	RG007100	Carbon Resistor (chip) 10K 0.1 J		
	R528	RG007100	Carbon Resistor (chip) 10K 0.1 J		
	R529	RG005680	Carbon Resistor (chip) 680 0.1 J		
	R530	RG006270	Carbon Resistor (chip) 2.7K 0.1 J		
	R531	RG007100	Carbon Resistor (chip) 10K 0.1 J		
	R532	RG006270	Carbon Resistor (chip) 2.7K 0.1 J		
	R533	RG007100	Carbon Resistor (chip) 10K 0.1 J		
	R534	RG005680	Carbon Resistor (chip) 680 0.1 J		
	R535	RG006270	Carbon Resistor (chip) 2.7K 0.1 J		
	R536	RG004100	Carbon Resistor (chip) 10 0.1 J		
	R537	RG007180	Carbon Resistor (chip) 18K 0.1 J		
	R538	RG005220	Carbon Resistor (chip) 220 0.1 J		
*	R539	RG006180	Carbon Resistor (chip) 1.8K 0.1 J		
	R540	RG007100	Carbon Resistor (chip) 10K 0.1 J		
	R541	RG004100	Carbon Resistor (chip) 10 0.1 J		
	R542	RG007100	Carbon Resistor (chip) 10K 0.1 J		
	R543	RG007100	Carbon Resistor (chip) 10K 0.1 J		
	R544	RG007220	Carbon Resistor (chip) 22K 0.1 J		
	R545	RG007220	Carbon Resistor (chip) 22K 0.1 J		

*: New Parts

RANK: Japan only

REF NO.	PART NO.	DESCRIPTION	REMARKS	QTY	RANK
R546	RG007180	Carbon Resistor (chip)	18K 0.1 J		
R547	RG007180	Carbon Resistor (chip)	18K 0.1 J		
R601	RG006100	Carbon Resistor (chip)	1.0K 0.1 J		
R602	V2440200	Metal Film Resistor	2.4K 1/4 F		01
R603	V2440200	Metal Film Resistor	2.4K 1/4 F		01
R604	RG008470	Carbon Resistor (chip)	470K 0.1 J		
* R605	RG007150	Carbon Resistor (chip)	15K 0.1 J		
R606	RG004100	Carbon Resistor (chip)	10 0.1 J		
R607	RG004100	Carbon Resistor (chip)	10 0.1 J		
R608	RG006470	Carbon Resistor (chip)	4.7K 0.1 J		
* R609	RF357470	Carbon Resistor (chip)	47.0K D 1608		
* R610	RF357470	Carbon Resistor (chip)	47.0K D 1608		
R611	RG007470	Carbon Resistor (chip)	47K 0.1 J		
R612	RG004100	Carbon Resistor (chip)	10 0.1 J		
R613	RG004330	Carbon Resistor (chip)	33 0.1 J		
* R614	RF356220	Carbon Resistor (chip)	2.2K D 1608		
* R615	RF356820	Carbon Resistor (chip)	8.2K D 1608		
R616	RG006820	Carbon Resistor (chip)	8.2K 0.1 J		
* R617	RG005150	Carbon Resistor (chip)	150 0.1 J		
* R618	RF356220	Carbon Resistor (chip)	2.2K D 1608		
* R619	RF356820	Carbon Resistor (chip)	8.2K D 1608		
R620	RG004100	Carbon Resistor (chip)	10 0.1 J		
R621	RF357100	Carbon Resistor (chip)	10.0K D 1608		01
R622	RF357100	Carbon Resistor (chip)	10.0K D 1608		01
R623	RG007180	Carbon Resistor (chip)	18K 0.1 J		
R624	RG007180	Carbon Resistor (chip)	18K 0.1 J		
R625	RG008100	Carbon Resistor (chip)	100K 0.1 J		
R626	RG006820	Carbon Resistor (chip)	8.2K 0.1 J		
R627	RG007100	Carbon Resistor (chip)	10K 0.1 J		
R628	RG007100	Carbon Resistor (chip)	10K 0.1 J		
R629	RG005680	Carbon Resistor (chip)	680 0.1 J		
R630	RG006270	Carbon Resistor (chip)	2.7K 0.1 J		
R631	RG007100	Carbon Resistor (chip)	10K 0.1 J		
R632	RG006270	Carbon Resistor (chip)	2.7K 0.1 J		
R633	RG007100	Carbon Resistor (chip)	10K 0.1 J		
R634	RG005680	Carbon Resistor (chip)	680 0.1 J		
R635	RG006270	Carbon Resistor (chip)	2.7K 0.1 J		
R636	RG004100	Carbon Resistor (chip)	10 0.1 J		
R637	RG007180	Carbon Resistor (chip)	18K 0.1 J		
R638	RG005220	Carbon Resistor (chip)	220 0.1 J		
* R639	RG006180	Carbon Resistor (chip)	1.8K 0.1 J		
R640	RG007100	Carbon Resistor (chip)	10K 0.1 J		
R641	RG004100	Carbon Resistor (chip)	10 0.1 J		
R642	RG007100	Carbon Resistor (chip)	10K 0.1 J		
R643	RG007100	Carbon Resistor (chip)	10K 0.1 J		
R644	RG007220	Carbon Resistor (chip)	22K 0.1 J		
R645	RG007220	Carbon Resistor (chip)	22K 0.1 J		
R646	RG007180	Carbon Resistor (chip)	18K 0.1 J		
R647	RG007180	Carbon Resistor (chip)	18K 0.1 J		
R701	V2440200	Metal Film Resistor	2.4K 1/4 F		01
R702	RG008100	Carbon Resistor (chip)	100K 0.1 J		
R703	RG008100	Carbon Resistor (chip)	100K 0.1 J		
R704	V2440200	Metal Film Resistor	2.4K 1/4 F		01
* R705	RG007150	Carbon Resistor (chip)	15K 0.1 J		
R706	RG004100	Carbon Resistor (chip)	10 0.1 J		
R707	RG004100	Carbon Resistor (chip)	10 0.1 J		
* R708	RF357470	Carbon Resistor (chip)	47.0K D 1608		
* R709	RF357470	Carbon Resistor (chip)	47.0K D 1608		
R710	RG004100	Carbon Resistor (chip)	10 0.1 J		
* R711	RF356220	Carbon Resistor (chip)	2.2K D 1608		
* R712	RF356820	Carbon Resistor (chip)	8.2K D 1608		
* R713	RG005150	Carbon Resistor (chip)	150 0.1 J		
* R714	RF356220	Carbon Resistor (chip)	2.2K D 1608		
* R715	RF356820	Carbon Resistor (chip)	8.2K D 1608		
R716	RG004100	Carbon Resistor (chip)	10 0.1 J		
R717	RF357100	Carbon Resistor (chip)	10.0K D 1608		01
R718	RF357100	Carbon Resistor (chip)	10.0K D 1608		01
R719	RG007180	Carbon Resistor (chip)	18K 0.1 J		
-722	RG007180	Carbon Resistor (chip)	18K 0.1 J		
R723	RG008100	Carbon Resistor (chip)	100K 0.1 J		

*: New Parts

RANK: Japan only

EMX68S / EMX88S

REF NO.	PART NO.	DESCRIPTION		REMARKS	QTY	RANK
R724	RG008100	Carbon Resistor (chip)	100K 0.1 J			
R725	RG006820	Carbon Resistor (chip)	8.2K 0.1 J			
R726	RG006820	Carbon Resistor (chip)	8.2K 0.1 J			
R727	RG007100	Carbon Resistor (chip)	10K 0.1 J			
-729	RG007100	Carbon Resistor (chip)	10K 0.1 J			
R730	RG005680	Carbon Resistor (chip)	680 0.1 J			
R731	RG006270	Carbon Resistor (chip)	2.7K 0.1 J			
R732	RG007100	Carbon Resistor (chip)	10K 0.1 J			
R733	RG005680	Carbon Resistor (chip)	680 0.1 J			
R734	RG006270	Carbon Resistor (chip)	2.7K 0.1 J			
R735	RG007100	Carbon Resistor (chip)	10K 0.1 J			
-737	RG007100	Carbon Resistor (chip)	10K 0.1 J			
R738	RG005680	Carbon Resistor (chip)	680 0.1 J			
R739	RG006270	Carbon Resistor (chip)	2.7K 0.1 J			
R740	RG006270	Carbon Resistor (chip)	2.7K 0.1 J			
R741	RG007100	Carbon Resistor (chip)	10K 0.1 J			
R742	RG005680	Carbon Resistor (chip)	680 0.1 J			
R743	RG006270	Carbon Resistor (chip)	2.7K 0.1 J			
R744	RG006270	Carbon Resistor (chip)	2.7K 0.1 J			
R745	RG004100	Carbon Resistor (chip)	10 0.1 J			
R746	RG004100	Carbon Resistor (chip)	10 0.1 J			
R747	RG007180	Carbon Resistor (chip)	18K 0.1 J			
R748	RG007180	Carbon Resistor (chip)	18K 0.1 J			
R749	RG005220	Carbon Resistor (chip)	220 0.1 J			
R750	RG005220	Carbon Resistor (chip)	220 0.1 J			
* R751	RG006180	Carbon Resistor (chip)	1.8K 0.1 J			
* R752	RG006180	Carbon Resistor (chip)	1.8K 0.1 J			
R753	RG007100	Carbon Resistor (chip)	10K 0.1 J			
R754	RG007100	Carbon Resistor (chip)	10K 0.1 J			
R755	RG004100	Carbon Resistor (chip)	10 0.1 J			
R756	RG004100	Carbon Resistor (chip)	10 0.1 J			
R757	RG007100	Carbon Resistor (chip)	10K 0.1 J			
R758	RG007100	Carbon Resistor (chip)	10K 0.1 J			
R759	RG007220	Carbon Resistor (chip)	22K 0.1 J			
R760	RG007220	Carbon Resistor (chip)	22K 0.1 J			
R761	RG007270	Carbon Resistor (chip)	27K 0.1 J			
-764	RG007270	Carbon Resistor (chip)	27K 0.1 J			
R765	RG008100	Carbon Resistor (chip)	100K 0.1 J			
R766	VV058400	Flame Proof C. Resistor	390.0 1/4 J			01
R801	V2440200	Metal Film Resistor	2.4K 1/4 F			01
R802	RG008100	Carbon Resistor (chip)	100K 0.1 J			
R803	RG008100	Carbon Resistor (chip)	100K 0.1 J			
R804	V2440200	Metal Film Resistor	2.4K 1/4 F			01
* R805	RG007150	Carbon Resistor (chip)	15K 0.1 J			
R806	RG004100	Carbon Resistor (chip)	10 0.1 J			
R807	RG004100	Carbon Resistor (chip)	10 0.1 J			
* R808	RF357470	Carbon Resistor (chip)	47.0K D 1608			
* R809	RF357470	Carbon Resistor (chip)	47.0K D 1608			
R810	RG004100	Carbon Resistor (chip)	10 0.1 J			
* R811	RF356220	Carbon Resistor (chip)	2.2K D 1608			
* R812	RF356820	Carbon Resistor (chip)	8.2K D 1608			
* R813	RG005150	Carbon Resistor (chip)	150 0.1 J			
* R814	RF356220	Carbon Resistor (chip)	2.2K D 1608			
* R815	RF356820	Carbon Resistor (chip)	8.2K D 1608			
R816	RG004100	Carbon Resistor (chip)	10 0.1 J			
R817	RF357100	Carbon Resistor (chip)	10.0K D 1608			01
R818	RF357100	Carbon Resistor (chip)	10.0K D 1608			01
R819	RG007180	Carbon Resistor (chip)	18K 0.1 J			
-822	RG007180	Carbon Resistor (chip)	18K 0.1 J			
R823	RG008100	Carbon Resistor (chip)	100K 0.1 J			
R824	RG008100	Carbon Resistor (chip)	100K 0.1 J			
R825	RG006820	Carbon Resistor (chip)	8.2K 0.1 J			
R826	RG006820	Carbon Resistor (chip)	8.2K 0.1 J			
R827	RG007100	Carbon Resistor (chip)	10K 0.1 J			
-829	RG007100	Carbon Resistor (chip)	10K 0.1 J			
R830	RG005680	Carbon Resistor (chip)	680 0.1 J			
R831	RG006270	Carbon Resistor (chip)	2.7K 0.1 J			
R832	RG007100	Carbon Resistor (chip)	10K 0.1 J			
R833	RG005680	Carbon Resistor (chip)	680 0.1 J			
R834	RG006270	Carbon Resistor (chip)	2.7K 0.1 J			

*: New Parts

RANK: Japan only

REF NO.	PART NO.	DESCRIPTION	REMARKS	QTY	RANK
R835	RG007100	Carbon Resistor (chip)	10K 0.1 J		
-837	RG007100	Carbon Resistor (chip)	10K 0.1 J		
R838	RG005680	Carbon Resistor (chip)	680 0.1 J		
R839	RG006270	Carbon Resistor (chip)	2.7K 0.1 J		
R840	RG006270	Carbon Resistor (chip)	2.7K 0.1 J		
R841	RG007100	Carbon Resistor (chip)	10K 0.1 J		
R842	RG005680	Carbon Resistor (chip)	680 0.1 J		
R843	RG006270	Carbon Resistor (chip)	2.7K 0.1 J		
R844	RG006270	Carbon Resistor (chip)	2.7K 0.1 J		
R845	RG004100	Carbon Resistor (chip)	10 0.1 J		
R846	RG004100	Carbon Resistor (chip)	10 0.1 J		
R847	RG007180	Carbon Resistor (chip)	18K 0.1 J		
R848	RG007180	Carbon Resistor (chip)	18K 0.1 J		
R849	RG005220	Carbon Resistor (chip)	220 0.1 J		
R850	RG005220	Carbon Resistor (chip)	220 0.1 J		
* R851	RG006180	Carbon Resistor (chip)	1.8K 0.1 J		
* R852	RG006180	Carbon Resistor (chip)	1.8K 0.1 J		
R853	RG007100	Carbon Resistor (chip)	10K 0.1 J		
R854	RG007100	Carbon Resistor (chip)	10K 0.1 J		
R855	RG004100	Carbon Resistor (chip)	10 0.1 J		
R856	RG004100	Carbon Resistor (chip)	10 0.1 J		
R857	RG007100	Carbon Resistor (chip)	10K 0.1 J		
R858	RG007100	Carbon Resistor (chip)	10K 0.1 J		
R859	RG007220	Carbon Resistor (chip)	22K 0.1 J		
R860	RG007220	Carbon Resistor (chip)	22K 0.1 J		
R861	RG007270	Carbon Resistor (chip)	27K 0.1 J		
-864	RG007270	Carbon Resistor (chip)	27K 0.1 J		
R901	RG008150	Carbon Resistor (chip)	150K 0.1 J		
* R902	RG007150	Carbon Resistor (chip)	15K 0.1 J		
R903	RG008100	Carbon Resistor (chip)	100K 0.1 J		
* R904	RG206270	Carbon Resistor (chip)	2.7K 1/4 J		
R905	RG007120	Carbon Resistor (chip)	12K 0.1 J		
R906	RG007120	Carbon Resistor (chip)	12K 0.1 J		
* R907	RG007560	Carbon Resistor (chip)	56K 0.1 J		
* R908	RG007560	Carbon Resistor (chip)	56K 0.1 J		
* R909	RG008180	Carbon Resistor (chip)	180K 0.1 J		
* R910	RG008180	Carbon Resistor (chip)	180K 0.1 J		
* R911	RG007200	Carbon Resistor (chip)	20K 0.1 J		
R912	RG007100	Carbon Resistor (chip)	10K 0.1 J		
-915	RG007100	Carbon Resistor (chip)	10K 0.1 J		
* R916	RG006120	Carbon Resistor (chip)	1.2K 0.1 J		
R917	RG007180	Carbon Resistor (chip)	18K 0.1 J		
R918	RG007180	Carbon Resistor (chip)	18K 0.1 J		
R919	RG007240	Carbon Resistor (chip)	24K 0.1 J		
R920	RG007240	Carbon Resistor (chip)	24K 0.1 J		
R921	RG007180	Carbon Resistor (chip)	18K 0.1 J		
R922	RG007180	Carbon Resistor (chip)	18K 0.1 J		
* R923	RG006120	Carbon Resistor (chip)	1.2K 0.1 J		
R924	RG006150	Carbon Resistor (chip)	1.5K 0.1 J		
R925	RG006150	Carbon Resistor (chip)	1.5K 0.1 J		
* R926	RG008130	Carbon Resistor (chip)	130K 0.1 J		
* R927	RG008130	Carbon Resistor (chip)	130K 0.1 J		
* R928	RG007820	Carbon Resistor (chip)	82K 0.1 J		
R929	RG004100	Carbon Resistor (chip)	10 0.1 J		
-931	RG004100	Carbon Resistor (chip)	10 0.1 J		
R932	RG007560	Carbon Resistor (chip)	56K 0.1 J		
R933	RG007560	Carbon Resistor (chip)	56K 0.1 J		
* R934	RG008120	Carbon Resistor (chip)	120K 0.1 J		
* R935	RG007180	Carbon Resistor (chip)	18K 0.1 J		
* -937	RG007180	Carbon Resistor (chip)	18K 0.1 J		
R938	RG007240	Carbon Resistor (chip)	24K 0.1 J		
* R941	RG007200	Carbon Resistor (chip)	20K 0.1 J		
R942	RG007120	Carbon Resistor (chip)	12K 0.1 J		
R943	RG007560	Carbon Resistor (chip)	56K 0.1 J		
R944	RG007560	Carbon Resistor (chip)	56K 0.1 J		
* R945	RG008120	Carbon Resistor (chip)	120K 0.1 J		
* R946	RG007180	Carbon Resistor (chip)	18K 0.1 J		
R947	RG004100	Carbon Resistor (chip)	10 0.1 J		
-950	RG004100	Carbon Resistor (chip)	10 0.1 J		
R951	RG205330	Carbon Resistor (chip)	330 1/4 J		

*: New Parts

RANK: Japan only

EMX68S / EMX88S

REF NO.	PART NO.	DESCRIPTION		REMARKS	QTY	RANK
R952	RG205330	Carbon Resistor (chip)	330 1/4 J			
R953	RG006330	Carbon Resistor (chip)	3.3K 0.1 J			
-955	RG006330	Carbon Resistor (chip)	3.3K 0.1 J			
R956	RG005560	Carbon Resistor (chip)	560 0.1 J			
-976	RG005560	Carbon Resistor (chip)	560 0.1 J			
R977	RG007470	Carbon Resistor (chip)	47K 0.1 J			
-999	RG007470	Carbon Resistor (chip)	47K 0.1 J			
RA01	RG007470	Carbon Resistor (chip)	47K 0.1 J			
RA02	RG006330	Carbon Resistor (chip)	3.3K 0.1 J			
-A04	RG006330	Carbon Resistor (chip)	3.3K 0.1 J			
RA05	RG008100	Carbon Resistor (chip)	100K 0.1 J			
-A07	RG008100	Carbon Resistor (chip)	100K 0.1 J			
RA08	RG006470	Carbon Resistor (chip)	4.7K 0.1 J			
RA09	RG007100	Carbon Resistor (chip)	10K 0.1 J			
* RA10	RG005750	Carbon Resistor (chip)	750 0.1 J			
RA11	RG007100	Carbon Resistor (chip)	10K 0.1 J			
* RA12	RG205680	Carbon Resistor (chip)	680 1/4 J			
* -A14	RG205680	Carbon Resistor (chip)	680 1/4 J			
RA15	RG006470	Carbon Resistor (chip)	4.7K 0.1 J			
RA16	RG007100	Carbon Resistor (chip)	10K 0.1 J			
* RA17	RG005750	Carbon Resistor (chip)	750 0.1 J			
RA18	RG007100	Carbon Resistor (chip)	10K 0.1 J			
* RA19	RG205680	Carbon Resistor (chip)	680 1/4 J			
* -A21	RG205680	Carbon Resistor (chip)	680 1/4 J			
RA22	RG006470	Carbon Resistor (chip)	4.7K 0.1 J			
RA23	RG007100	Carbon Resistor (chip)	10K 0.1 J			
* RA24	RG005750	Carbon Resistor (chip)	750 0.1 J			
RA25	RG007100	Carbon Resistor (chip)	10K 0.1 J			
* RA26	RG205680	Carbon Resistor (chip)	680 1/4 J			
* -A28	RG205680	Carbon Resistor (chip)	680 1/4 J			
RA29	RG007180	Carbon Resistor (chip)	18K 0.1 J			
* RA30	RG005220	Carbon Resistor (chip)	220 0.1 J			
RA31	RG006430	Carbon Resistor (chip)	4.3K 0.1 J			
RA32	RG007100	Carbon Resistor (chip)	10K 0.1 J			
RA33	RG004100	Carbon Resistor (chip)	10 0.1 J			
RA34	RG005560	Carbon Resistor (chip)	560 0.1 J			
RA35	RG008100	Carbon Resistor (chip)	100K 0.1 J			
RA36	RG005560	Carbon Resistor (chip)	560 0.1 J			
RA37	RG007180	Carbon Resistor (chip)	18K 0.1 J			
RA38	RG005220	Carbon Resistor (chip)	220 0.1 J			
* RA39	RG006430	Carbon Resistor (chip)	4.3K 0.1 J			
RA40	RG007100	Carbon Resistor (chip)	10K 0.1 J			
RA41	RG004100	Carbon Resistor (chip)	10 0.1 J			
RA42	RG005560	Carbon Resistor (chip)	560 0.1 J			
RA43	RG008100	Carbon Resistor (chip)	100K 0.1 J			
RA44	RG005560	Carbon Resistor (chip)	560 0.1 J			
RA45	RG007180	Carbon Resistor (chip)	18K 0.1 J			
RA46	RG007180	Carbon Resistor (chip)	18K 0.1 J			
* RA47	RG007130	Carbon Resistor (chip)	13K 0.1 J			
RA48	RG008100	Carbon Resistor (chip)	100K 0.1 J			
RA49	RG004100	Carbon Resistor (chip)	10 0.1 J			
RA50	RG007100	Carbon Resistor (chip)	10K 0.1 J			
RA51	RG007100	Carbon Resistor (chip)	10K 0.1 J			
RA52	RG004100	Carbon Resistor (chip)	10 0.1 J			
RA53	RG008100	Carbon Resistor (chip)	100K 0.1 J			
RA54	RG007180	Carbon Resistor (chip)	18K 0.1 J			
RA55	RG005220	Carbon Resistor (chip)	220 0.1 J			
* RA56	RG006430	Carbon Resistor (chip)	4.3K 0.1 J			
RA57	RG007100	Carbon Resistor (chip)	10K 0.1 J			
RA58	RG004100	Carbon Resistor (chip)	10 0.1 J			
RA59	RG005560	Carbon Resistor (chip)	560 0.1 J			
RA60	RG008100	Carbon Resistor (chip)	100K 0.1 J			
RA61	RG005560	Carbon Resistor (chip)	560 0.1 J			
RA62	RG007180	Carbon Resistor (chip)	18K 0.1 J			
RA63	RG005220	Carbon Resistor (chip)	220 0.1 J			
* RA64	RG006430	Carbon Resistor (chip)	4.3K 0.1 J			
RA65	RG007100	Carbon Resistor (chip)	10K 0.1 J			
RA66	RG005560	Carbon Resistor (chip)	560 0.1 J			
RA67	RG008100	Carbon Resistor (chip)	100K 0.1 J			
RA68	RG005560	Carbon Resistor (chip)	560 0.1 J			

*: New Parts

RANK: Japan only

REF NO.	PART NO.	DESCRIPTION	REMARKS	QTY	RANK
RA69	RG007220	Carbon Resistor (chip)	22K 0.1 J		
RA70	RG007560	Carbon Resistor (chip)	56K 0.1 J		
RA71	RG007100	Carbon Resistor (chip)	10K 0.1 J		
RA72	RG007100	Carbon Resistor (chip)	10K 0.1 J		
* RA73	RG007390	Carbon Resistor (chip)	39K 0.1 J		
RA74	RG007560	Carbon Resistor (chip)	56K 0.1 J		
RA75	RG007100	Carbon Resistor (chip)	10K 0.1 J		
RA76	RG007100	Carbon Resistor (chip)	10K 0.1 J		
* RA77	RG007390	Carbon Resistor (chip)	39K 0.1 J		
* RA78	RG008120	Carbon Resistor (chip)	120K 0.1 J		
RA79	RG007100	Carbon Resistor (chip)	10K 0.1 J		
RA80	RG007100	Carbon Resistor (chip)	10K 0.1 J		
RA81	RG007820	Carbon Resistor (chip)	82K 0.1 J		
* RA82	RG007360	Carbon Resistor (chip)	36K 0.1 J		
RA83	RG007100	Carbon Resistor (chip)	10K 0.1 J		
RA84	RG007100	Carbon Resistor (chip)	10K 0.1 J		
* RB01	RF356390	Carbon Resistor (chip)	3.9K D 1608		
* RB02	RF357820	Carbon Resistor (chip)	82.0K D 1608		
* RB03	RG004180	Carbon Resistor (chip)	18 0.1 J		
* RB04	RG206270	Carbon Resistor (chip)	2.7K 1/4 J		
* RB05	RF356390	Carbon Resistor (chip)	3.9K D 1608		
* RB06	RF357820	Carbon Resistor (chip)	82.0K D 1608		
* RB07	RG004180	Carbon Resistor (chip)	18 0.1 J		
* RB08	RF357390	Carbon Resistor (chip)	39.0K D 1608		
* RB09	RF357390	Carbon Resistor (chip)	39.0K D 1608		
* RB10	RF357180	Carbon Resistor (chip)	18.0K D 1608		
RB11	RG007180	Carbon Resistor (chip)	18K 0.1 J		
RB12	RG007560	Carbon Resistor (chip)	56K 0.1 J		
RB13	RG007120	Carbon Resistor (chip)	12K 0.1 J		
RB14	RG004680	Carbon Resistor (chip)	68 0.1 J		
RB15	RG007120	Carbon Resistor (chip)	12K 0.1 J		
RB16	RG004680	Carbon Resistor (chip)	68 0.1 J		
* RB17	RG206150	Carbon Resistor (chip)	1.5K 1/4 J		
RB18	RG007560	Carbon Resistor (chip)	56K 0.1 J		
RB19	RG007270	Carbon Resistor (chip)	27K 0.1 J		
* RB20	RG005330	Carbon Resistor (chip)	330 0.1 J		
RB21	RG007470	Carbon Resistor (chip)	47K 0.1 J		
RB22	RG008390	Carbon Resistor (chip)	390K 0.1 J		
RB23	RG008390	Carbon Resistor (chip)	390K 0.1 J		
RB24	RG007220	Carbon Resistor (chip)	22K 0.1 J		
RB25	RG007820	Carbon Resistor (chip)	82K 0.1 J		
RB26	RG005220	Carbon Resistor (chip)	220 0.1 J		
* RB27	RG008330	Carbon Resistor (chip)	330K 0.1 J		
* RB28	RF357180	Carbon Resistor (chip)	18.0K D 1608		
RB29	RG007180	Carbon Resistor (chip)	18K 0.1 J		
RB30	RG007560	Carbon Resistor (chip)	56K 0.1 J		
RB31	RG004680	Carbon Resistor (chip)	68 0.1 J		
RB32	RG007120	Carbon Resistor (chip)	12K 0.1 J		
RB33	RG007120	Carbon Resistor (chip)	12K 0.1 J		
RB34	RG004680	Carbon Resistor (chip)	68 0.1 J		
RB35	RG007560	Carbon Resistor (chip)	56K 0.1 J		
* RB36	RG206150	Carbon Resistor (chip)	1.5K 1/4 J		
RB37	RG007270	Carbon Resistor (chip)	27K 0.1 J		
* RB38	RG005330	Carbon Resistor (chip)	330 0.1 J		
RB39	RG007470	Carbon Resistor (chip)	47K 0.1 J		
RB40	RG007220	Carbon Resistor (chip)	22K 0.1 J		
RB41	RG008390	Carbon Resistor (chip)	390K 0.1 J		
RB42	RG008390	Carbon Resistor (chip)	390K 0.1 J		
RB43	RG007820	Carbon Resistor (chip)	82K 0.1 J		
RB44	RG005220	Carbon Resistor (chip)	220 0.1 J		
* RB45	RG008330	Carbon Resistor (chip)	330K 0.1 J		
* RB46	RG206270	Carbon Resistor (chip)	2.7K 1/4 J		
* RB48	RG206270	Carbon Resistor (chip)	2.7K 1/4 J		
RJ01	RG000000	Carbon Resistor (chip)	0 0.1 J		
-J06	RG000000	Carbon Resistor (chip)	0 0.1 J		
SW101	V6962600	Push Switch		PAD (CH1)	02
SW201	V6962600	Push Switch		PAD (CH2)	02
SW501	V6962600	Push Switch		PAD (CH3)	02
SW601	V6962600	Push Switch		PAD (CH4)	02
SW901	V6962600	Push Switch		STAND-BY (CH1-6 MUTE)	02

*: New Parts

RANK: Japan only

EMX68S / EMX88S

REF NO.	PART NO.	DESCRIPTION		REMARKS	QTY	RANK
SW902	V3835200	Push Switch		SPX ON		01
SW903	V3835200	Push Switch		SPX TAP		01
* SW904	V8059400	Slide Switch	SS001P2430HcPA6	MAIN L-R, MAIN-MON, MAIN-BRIDGE		
* SW905	V8058000	Slide Switch	SS001P242BPcA6	YSP ON/OFF		
SW906	V3483200	Slide Switch	SS001P022BQcPA6	PHANTOM ON/OFF		03
* VR101	V8264700	Rotary Variable Resistor	B 50.0K XV09213P	LOW (CH1)		
* VR102	V8264700	Rotary Variable Resistor	B 50.0K XV09213P	MID (CH1)		
* VR103	V8264700	Rotary Variable Resistor	B 50.0K XV09213P	HIGH (CH1)		
* VR104	V8264600	Rotary Variable Resistor	A 20.0K XV09213P	LEVEL(CH1)		
* VR105	V8265000	Rotary Variable Resistor	B 10.0K XV09213P	PAN (CH1)		
* VR106	V8264600	Rotary Variable Resistor	A 20.0K XV09213P	EFFECT (CH1)		
* VR107	V8264600	Rotary Variable Resistor	A 20.0K XV09213P	MONITOR (CH1)		
* VR201	V8264700	Rotary Variable Resistor	B 50.0K XV09213P	LOW (CH2)		
* VR202	V8264700	Rotary Variable Resistor	B 50.0K XV09213P	MID (CH2)		
* VR203	V8264700	Rotary Variable Resistor	B 50.0K XV09213P	HIGH (CH2)		
* VR204	V8264600	Rotary Variable Resistor	A 20.0K XV09213P	LEVEL(CH2)		
* VR205	V8265000	Rotary Variable Resistor	B 10.0K XV09213P	PAN (CH2)		
* VR206	V8264600	Rotary Variable Resistor	A 20.0K XV09213P	EFFECT (CH2)		
* VR207	V8264600	Rotary Variable Resistor	A 20.0K XV09213P	MONITOR (CH2)		
* VR501	V8264700	Rotary Variable Resistor	B 50.0K XV09213P	LOW (CH3)		
* VR502	V8264700	Rotary Variable Resistor	B 50.0K XV09213P	MID (CH3)		
* VR503	V8264700	Rotary Variable Resistor	B 50.0K XV09213P	HIGH (CH3)		
* VR504	V8264600	Rotary Variable Resistor	A 20.0K XV09213P	LEVEL(CH3)		
* VR505	V8265000	Rotary Variable Resistor	B 10.0K XV09213P	PAN (CH3)		
* VR506	V8264600	Rotary Variable Resistor	A 20.0K XV09213P	EFFECT (CH3)		
* VR507	V8264600	Rotary Variable Resistor	A 20.0K XV09213P	MONITOR (CH3)		
* VR601	V8264700	Rotary Variable Resistor	B 50.0K XV09213P	LOW (CH4)		
* VR602	V8264700	Rotary Variable Resistor	B 50.0K XV09213P	MID (CH4)		
* VR603	V8264700	Rotary Variable Resistor	B 50.0K XV09213P	HIGH (CH4)		
* VR604	V8264600	Rotary Variable Resistor	A 20.0K XV09213P	LEVEL(CH4)		
* VR605	V8265000	Rotary Variable Resistor	B 10.0K XV09213P	PAN (CH4)		
* VR606	V8264600	Rotary Variable Resistor	A 20.0K XV09213P	EFFECT (CH4)		
* VR607	V8264600	Rotary Variable Resistor	A 20.0K XV09213P	MONITOR (CH4)		
VR701	VZ611100	Rotary Variable Resistor	B 50K RK12L123	LOW (CH5)		05
VR702	VZ611100	Rotary Variable Resistor	B 50K RK12L123	MID (CH5)		05
VR703	VZ611100	Rotary Variable Resistor	B 50K RK12L123	HIGH (CH5)		05
VR704	VZ610900	Rotary Variable Resistor	A 20K RK12L12C	LEVEL(CH5)		02
* VR705	V8265000	Rotary Variable Resistor	B 10.0K XV09213P	BAL/PAN (CH5)		
VR706	VZ610900	Rotary Variable Resistor	A 20K RK12L12C	EFFECT (CH5)		02
VR707	VZ610900	Rotary Variable Resistor	A 20K RK12L12C	MONITOR (CH5)		02
VR801	VZ611100	Rotary Variable Resistor	B 50K RK12L123	LOW (CH6)		05
VR802	VZ611100	Rotary Variable Resistor	B 50K RK12L123	MID (CH6)		05
VR803	VZ611100	Rotary Variable Resistor	B 50K RK12L123	HIGH (CH6)		05
VR804	VZ610900	Rotary Variable Resistor	A 20K RK12L12C	LEVEL(CH6)		02
* VR805	V8265000	Rotary Variable Resistor	B 10.0K XV09213P	BAL/PAN (CH6)		
VR806	VZ610900	Rotary Variable Resistor	A 20K RK12L12C	EFFECT (CH6)		02
VR807	VZ610900	Rotary Variable Resistor	A 20K RK12L12C	MONITOR (CH6)		02
VR901	VZ610900	Rotary Variable Resistor	A 20K RK12L12C	AUX IN		02
VR902	VZ610900	Rotary Variable Resistor	A 20K RK12L12C	2 TR IN (MAIN)		02
VR903	VZ610900	Rotary Variable Resistor	A 20K RK12L12C	EFFECT RTN (MAIN)		02
VR904	VZ610900	Rotary Variable Resistor	A 20K RK12L12C	EFFECT RTN (MONITOR)		02
* VR905	V8287400	Rotary Variable Resistor	B 5.0s XV09213P	PARAMETER		
VR906	VU804300	Slide Variable Resistor	W 20.0K RS20H12	125 (MAIN)		03
VR907	VU804300	Slide Variable Resistor	W 20.0K RS20H12	250 (MAIN)		03
VR908	VU804300	Slide Variable Resistor	W 20.0K RS20H12	500 (MAIN)		03
VR909	VU804300	Slide Variable Resistor	W 20.0K RS20H12	1k (MAIN)		03
VR910	VU804300	Slide Variable Resistor	W 20.0K RS20H12	2k (MAIN)		03
VR911	VU804300	Slide Variable Resistor	W 20.0K RS20H12	4k (MAIN)		03
VR912	VU804300	Slide Variable Resistor	W 20.0K RS20H12	8k (MAIN)		03
VR913	VV044600	Slide Variable Resistor	RS20H11KD017-YL	125 (MONITOR)		03
VR914	VV044600	Slide Variable Resistor	RS20H11KD017-YL	250 (MONITOR)		03
VR915	VV044600	Slide Variable Resistor	RS20H11KD017-YL	500 (MONITOR)		03
VR916	VV044600	Slide Variable Resistor	RS20H11KD017-YL	1k (MONITOR)		03
VR917	VV044600	Slide Variable Resistor	RS20H11KD017-YL	2k (MONITOR)		03
VR918	VV044600	Slide Variable Resistor	RS20H11KD017-YL	4k (MONITOR)		03
VR919	VV044600	Slide Variable Resistor	RS20H11KD017-YL	8k (MONITOR)		03
VR920	VZ610900	Rotary Variable Resistor	A 20K RK12L12C	MASTER (MAIN)		02
* VR921	V8264600	Rotary Variable Resistor	A 20.0K XV09213P	MASTER (MONITOR)		
VR923	VZ610900	Rotary Variable Resistor	A 20K RK12L12C	2TR IN (MONITOR)		02

*: New Parts

RANK: Japan only

REF NO.	PART NO.	DESCRIPTION		REMARKS	QTY	RANK
*	V8266700	Circuit Board	MIX88	(X0617C0)		
	V4467500	Button	CD-GRAY/WHITE	PAD (CH1-6)	6	01
	--	Jumper Wire	0.60 TP	(V829020)		
	--	Jumper Wire	0.60	(VV29140)		
	VV307300	LED Spacer			23	01
	VZ968600	Button	NO.947 CD-GRAY	SPX ON, SPX TAP, STAND-BY (CH1-8 MUTE)	3	01
C101	VV488800	Electrolytic Cap. LLM	10.00 50.0V			01
C102	VV488800	Electrolytic Cap. LLM	10.00 50.0V			01
C103	UR847100	Electrolytic Cap.	10.00 25.0V			01
C104	UR847100	Electrolytic Cap.	10.00 25.0V			01
C105	UX062470	Ceramic Capacitor (chip)	470P 50V J			
-107	UX062470	Ceramic Capacitor (chip)	470P 50V J			
C108	UR828470	Electrolytic Cap.	470.00 10.0V			01
C109	UX062470	Ceramic Capacitor (chip)	470P 50V J			
C110	UX062100	Ceramic Capacitor (chip)	100P 50V J			01
-112	UX062100	Ceramic Capacitor (chip)	100P 50V J			01
C113	UR847100	Electrolytic Cap.	10.00 25.0V			01
C114	UA954150	Mylar Capacitor	0.0150 50V J			01
C115	UA954100	Mylar Capacitor	0.0100 50V J			01
C116	UA954120	Mylar Capacitor	0.0120 50V J			
C117	UA953390	Mylar Capacitor	3900P 50V J			01
* C118	UX061270	Ceramic Capacitor (chip)	27P 50V J			
C119	UX062100	Ceramic Capacitor (chip)	100P 50V J			01
C120	UR847470	Electrolytic Cap.	47.00 25.0V			01
C121	UX063100	Ceramic Capacitor (chip)	1000P 50V K			01
C122	UR847100	Electrolytic Cap.	10.00 25.0V			01
C123	UX062220	Ceramic Capacitor (chip)	220P 50V J			01
C124	UX061680	Ceramic Capacitor (chip)	68P 50V J			01
C125	UR847470	Electrolytic Cap.	47.00 25.0V			01
C126	UX064100	Ceramic Capacitor (chip)	0.0100 50V K			01
-131	UX064100	Ceramic Capacitor (chip)	0.0100 50V K			01
C132	UR877470	Electrolytic Cap.	47.00 63.0V			
C201	VV488800	Electrolytic Cap. LLM	10.00 50.0V			01
C202	VV488800	Electrolytic Cap. LLM	10.00 50.0V			01
C203	UR847100	Electrolytic Cap.	10.00 25.0V			01
C204	UR847100	Electrolytic Cap.	10.00 25.0V			01
C205	UX062470	Ceramic Capacitor (chip)	470P 50V J			
-207	UX062470	Ceramic Capacitor (chip)	470P 50V J			
C208	UR828470	Electrolytic Cap.	470.00 10.0V			01
C209	UX062470	Ceramic Capacitor (chip)	470P 50V J			
C210	UX062100	Ceramic Capacitor (chip)	100P 50V J			01
-212	UX062100	Ceramic Capacitor (chip)	100P 50V J			01
C213	UR847100	Electrolytic Cap.	10.00 25.0V			01
C214	UA954150	Mylar Capacitor	0.0150 50V J			01
C215	UA954100	Mylar Capacitor	0.0100 50V J			01
C216	UA954120	Mylar Capacitor	0.0120 50V J			
C217	UA953390	Mylar Capacitor	3900P 50V J			01
* C218	UX061270	Ceramic Capacitor (chip)	27P 50V J			
C219	UX062100	Ceramic Capacitor (chip)	100P 50V J			01
C220	UR847470	Electrolytic Cap.	47.00 25.0V			01
C221	UX063100	Ceramic Capacitor (chip)	1000P 50V K			01
C222	UR847100	Electrolytic Cap.	10.00 25.0V			01
C223	UX062220	Ceramic Capacitor (chip)	220P 50V J			01
C224	UX061680	Ceramic Capacitor (chip)	68P 50V J			01
C225	UR847470	Electrolytic Cap.	47.00 25.0V			01
C301	VV488800	Electrolytic Cap. LLM	10.00 50.0V			01
C302	VV488800	Electrolytic Cap. LLM	10.00 50.0V			01
C303	UR847100	Electrolytic Cap.	10.00 25.0V			01
C304	UR847100	Electrolytic Cap.	10.00 25.0V			01
C305	UX062470	Ceramic Capacitor (chip)	470P 50V J			
-307	UX062470	Ceramic Capacitor (chip)	470P 50V J			
C308	UR828470	Electrolytic Cap.	470.00 10.0V			01
C309	UX062470	Ceramic Capacitor (chip)	470P 50V J			
C310	UX062100	Ceramic Capacitor (chip)	100P 50V J			01
-312	UX062100	Ceramic Capacitor (chip)	100P 50V J			01
C313	UR847100	Electrolytic Cap.	10.00 25.0V			01
C314	UA954150	Mylar Capacitor	0.0150 50V J			01
C315	UA954100	Mylar Capacitor	0.0100 50V J			01
C316	UA954120	Mylar Capacitor	0.0120 50V J			01

*: New Parts

RANK: Japan only

EMX68S / EMX88S

REF NO.	PART NO.	DESCRIPTION	REMARKS	QTY	RANK
C317	UA953390	Mylar Capacitor	3900P 50V J		01
C318	UX061270	Ceramic Capacitor (chip)	27P 50V J		01
C319	UX062100	Ceramic Capacitor (chip)	100P 50V J		01
C320	UR847470	Electrolytic Cap.	47.00 25.0V		01
C321	UX063100	Ceramic Capacitor (chip)	1000P 50V K		01
C322	UR847100	Electrolytic Cap.	10.00 25.0V		01
C323	UX062220	Ceramic Capacitor (chip)	220P 50V J		01
C324	UX061680	Ceramic Capacitor (chip)	68P 50V J		01
C325	UR847470	Electrolytic Cap.	47.00 25.0V		01
C326	UX064100	Ceramic Capacitor (chip)	0.0100 50V K		01
-331	UX064100	Ceramic Capacitor (chip)	0.0100 50V K		01
C401	VV488800	Electrolytic Cap. LLM	10.00 50.0V		01
C402	VV488800	Electrolytic Cap. LLM	10.00 50.0V		01
C403	UR847100	Electrolytic Cap.	10.00 25.0V		01
C404	UR847100	Electrolytic Cap.	10.00 25.0V		01
C405	UX062470	Ceramic Capacitor (chip)	470P 50V J		01
-407	UX062470	Ceramic Capacitor (chip)	470P 50V J		01
C408	UR828470	Electrolytic Cap.	470.00 10.0V		01
C409	UX062470	Ceramic Capacitor (chip)	470P 50V J		01
C410	UX062100	Ceramic Capacitor (chip)	100P 50V J		01
-412	UX062100	Ceramic Capacitor (chip)	100P 50V J		01
C413	UR847100	Electrolytic Cap.	10.00 25.0V		01
C414	UA954150	Mylar Capacitor	0.0150 50V J		01
C415	UA954100	Mylar Capacitor	0.0100 50V J		01
C416	UA954120	Mylar Capacitor	0.0120 50V J		01
C417	UA953390	Mylar Capacitor	3900P 50V J		01
C418	UX061270	Ceramic Capacitor (chip)	27P 50V J		01
C419	UX062100	Ceramic Capacitor (chip)	100P 50V J		01
C420	UR847470	Electrolytic Cap.	47.00 25.0V		01
C421	UX063100	Ceramic Capacitor (chip)	1000P 50V K		01
C422	UR847100	Electrolytic Cap.	10.00 25.0V		01
C423	UX062220	Ceramic Capacitor (chip)	220P 50V J		01
C424	UX061680	Ceramic Capacitor (chip)	68P 50V J		01
C425	UR847470	Electrolytic Cap.	47.00 25.0V		01
C501	UR847100	Electrolytic Cap.	10.00 25.0V		01
C502	VV488800	Electrolytic Cap. LLM	10.00 50.0V		01
C503	VV488800	Electrolytic Cap. LLM	10.00 50.0V		01
C504	UX061470	Ceramic Capacitor (chip)	47P 50V J		01
C505	UX062100	Ceramic Capacitor (chip)	100P 50V J		01
C506	UX061220	Ceramic Capacitor (chip)	22P 50V J		01
C507	UX062470	Ceramic Capacitor (chip)	470P 50V J		01
C508	UX062470	Ceramic Capacitor (chip)	470P 50V J		01
C509	UR847100	Electrolytic Cap.	10.00 25.0V		01
C510	UX062470	Ceramic Capacitor (chip)	470P 50V J		01
C511	UR828470	Electrolytic Cap.	470.00 10.0V		01
C512	UX062470	Ceramic Capacitor (chip)	470P 50V J		01
C513	UX062100	Ceramic Capacitor (chip)	100P 50V J		01
-516	UX062100	Ceramic Capacitor (chip)	100P 50V J		01
C517	UR847100	Electrolytic Cap.	10.00 25.0V		01
C518	UX061470	Ceramic Capacitor (chip)	47P 50V J		01
C519	UR847100	Electrolytic Cap.	10.00 25.0V		01
C520	UA954150	Mylar Capacitor	0.0150 50V J		01
C521	UA954100	Mylar Capacitor	0.0100 50V J		01
C522	UA954120	Mylar Capacitor	0.0120 50V J		01
C523	UA953390	Mylar Capacitor	3900P 50V J		01
C524	UX061270	Ceramic Capacitor (chip)	27P 50V J		01
C525	UX062100	Ceramic Capacitor (chip)	100P 50V J		01
C526	UR847470	Electrolytic Cap.	47.00 25.0V		01
C527	UX063100	Ceramic Capacitor (chip)	1000P 50V K		01
C528	UR847100	Electrolytic Cap.	10.00 25.0V		01
C529	UX062220	Ceramic Capacitor (chip)	220P 50V J		01
C530	UX061680	Ceramic Capacitor (chip)	68P 50V J		01
C531	UR847470	Electrolytic Cap.	47.00 25.0V		01
C532	UX064100	Ceramic Capacitor (chip)	0.0100 50V K		01
-541	UX064100	Ceramic Capacitor (chip)	0.0100 50V K		01
C542	UR877470	Electrolytic Cap.	47.00 63.0V		01
C601	UR847100	Electrolytic Cap.	10.00 25.0V		01
C602	VV488800	Electrolytic Cap. LLM	10.00 50.0V		01
C603	VV488800	Electrolytic Cap. LLM	10.00 50.0V		01
C604	UX061470	Ceramic Capacitor (chip)	47P 50V J		01

*: New Parts

RANK: Japan only

REF NO.	PART NO.	DESCRIPTION		REMARKS	QTY	RANK
C605	UX062100	Ceramic Capacitor (chip)	100P 50V J			01
C606	UX061220	Ceramic Capacitor (chip)	22P 50V J			01
C607	UX062470	Ceramic Capacitor (chip)	470P 50V J			
C608	UX062470	Ceramic Capacitor (chip)	470P 50V J			
C609	UR847100	Electrolytic Cap.	10.00 25.0V			01
C610	UX062470	Ceramic Capacitor (chip)	470P 50V J			
C611	UR828470	Electrolytic Cap.	470.00 10.0V			01
C612	UX062470	Ceramic Capacitor (chip)	470P 50V J			
C613	UX062100	Ceramic Capacitor (chip)	100P 50V J			01
-616	UX062100	Ceramic Capacitor (chip)	100P 50V J			01
C617	UR847100	Electrolytic Cap.	10.00 25.0V			01
C618	UX061470	Ceramic Capacitor (chip)	47P 50V J			
C619	UR847100	Electrolytic Cap.	10.00 25.0V			01
C620	UA954150	Mylar Capacitor	0.0150 50V J			01
C621	UA954100	Mylar Capacitor	0.0100 50V J			01
C622	UA954120	Mylar Capacitor	0.0120 50V J			
C623	UA953390	Mylar Capacitor	3900P 50V J			01
C624	UX061270	Ceramic Capacitor (chip)	27P 50V J			
C625	UX062100	Ceramic Capacitor (chip)	100P 50V J			01
C626	UR847470	Electrolytic Cap.	47.00 25.0V			01
C627	UX063100	Ceramic Capacitor (chip)	1000P 50V K			01
C628	UR847100	Electrolytic Cap.	10.00 25.0V			01
C629	UX062220	Ceramic Capacitor (chip)	220P 50V J			01
C630	UX061680	Ceramic Capacitor (chip)	68P 50V J			01
C631	UR847470	Electrolytic Cap.	47.00 25.0V			01
C701	VV488800	Electrolytic Cap. LLM	10.00 50.0V			01
C702	VV488800	Electrolytic Cap. LLM	10.00 50.0V			01
C703	UR847100	Electrolytic Cap.	10.00 25.0V			01
C704	UR847100	Electrolytic Cap.	10.00 25.0V			01
C705	UX062470	Ceramic Capacitor (chip)	470P 50V J			
-707	UX062470	Ceramic Capacitor (chip)	470P 50V J			
C708	UR828470	Electrolytic Cap.	470.00 10.0V			01
C709	UX062470	Ceramic Capacitor (chip)	470P 50V J			
C710	UX062100	Ceramic Capacitor (chip)	100P 50V J			01
-712	UX062100	Ceramic Capacitor (chip)	100P 50V J			01
C713	UR847100	Electrolytic Cap.	10.00 25.0V			01
C714	UX062100	Ceramic Capacitor (chip)	100P 50V J			01
C715	UX062100	Ceramic Capacitor (chip)	100P 50V J			01
C716	UX061680	Ceramic Capacitor (chip)	68P 50V J			01
C717	UX061680	Ceramic Capacitor (chip)	68P 50V J			01
C718	UR847100	Electrolytic Cap.	10.00 25.0V			01
C719	UR847100	Electrolytic Cap.	10.00 25.0V			01
C720	UA954100	Mylar Capacitor	0.0100 50V J			01
C721	UA954120	Mylar Capacitor	0.0120 50V J			
C722	UA954150	Mylar Capacitor	0.0150 50V J			01
C723	UA954100	Mylar Capacitor	0.0100 50V J			01
C724	UA954120	Mylar Capacitor	0.0120 50V J			
C725	UA954150	Mylar Capacitor	0.0150 50V J			01
C726	UA953390	Mylar Capacitor	3900P 50V J			01
C727	UA953390	Mylar Capacitor	3900P 50V J			01
* C728	UX061270	Ceramic Capacitor (chip)	27P 50V J			
* C729	UX062100	Ceramic Capacitor (chip)	100P 50V J			01
C730	UX061270	Ceramic Capacitor (chip)	27P 50V J			
C731	UX062100	Ceramic Capacitor (chip)	100P 50V J			01
C732	UR847470	Electrolytic Cap.	47.00 25.0V			01
C733	UR847470	Electrolytic Cap.	47.00 25.0V			01
C734	UX063100	Ceramic Capacitor (chip)	1000P 50V K			01
C735	UX063100	Ceramic Capacitor (chip)	1000P 50V K			01
C736	UR847100	Electrolytic Cap.	10.00 25.0V			01
C737	UR847100	Electrolytic Cap.	10.00 25.0V			01
C738	UX062220	Ceramic Capacitor (chip)	220P 50V J			01
C739	UX062220	Ceramic Capacitor (chip)	220P 50V J			01
C740	UX061680	Ceramic Capacitor (chip)	68P 50V J			01
C741	UX061680	Ceramic Capacitor (chip)	68P 50V J			01
C742	UR847470	Electrolytic Cap.	47.00 25.0V			01
C743	UR847470	Electrolytic Cap.	47.00 25.0V			01
C744	UX064100	Ceramic Capacitor (chip)	0.0100 50V K			01
-751	UX064100	Ceramic Capacitor (chip)	0.0100 50V K			01
C801	VV488800	Electrolytic Cap. LLM	10.00 50.0V			01
C802	VV488800	Electrolytic Cap. LLM	10.00 50.0V			01

*: New Parts

RANK: Japan only

EMX68S / EMX88S

REF NO.	PART NO.	DESCRIPTION		REMARKS	QTY	RANK
C803	UR847100	Electrolytic Cap.	10.00 25.0V			01
C804	UR847100	Electrolytic Cap.	10.00 25.0V			01
C805	UX062470	Ceramic Capacitor (chip)	470P 50V J			
-807	UX062470	Ceramic Capacitor (chip)	470P 50V J			
C808	UR828470	Electrolytic Cap.	470.00 10.0V			01
C809	UX062470	Ceramic Capacitor (chip)	470P 50V J			
C810	UX062100	Ceramic Capacitor (chip)	100P 50V J			01
-812	UX062100	Ceramic Capacitor (chip)	100P 50V J			01
C813	UR847100	Electrolytic Cap.	10.00 25.0V			01
C814	UX062100	Ceramic Capacitor (chip)	100P 50V J			01
C815	UX062100	Ceramic Capacitor (chip)	100P 50V J			01
C816	UX061680	Ceramic Capacitor (chip)	68P 50V J			01
C817	UX061680	Ceramic Capacitor (chip)	68P 50V J			01
C818	UR847100	Electrolytic Cap.	10.00 25.0V			01
C819	UR847100	Electrolytic Cap.	10.00 25.0V			01
C820	UA954100	Mylar Capacitor	0.0100 50V J			01
C821	UA954120	Mylar Capacitor	0.0120 50V J			
C822	UA954150	Mylar Capacitor	0.0150 50V J			01
C823	UA954100	Mylar Capacitor	0.0100 50V J			01
C824	UA954120	Mylar Capacitor	0.0120 50V J			
C825	UA954150	Mylar Capacitor	0.0150 50V J			01
C826	UA953390	Mylar Capacitor	3900P 50V J			01
C827	UA953390	Mylar Capacitor	3900P 50V J			01
* C828	UX061270	Ceramic Capacitor (chip)	27P 50V J			
* C829	UX062100	Ceramic Capacitor (chip)	100P 50V J			01
* C830	UX061270	Ceramic Capacitor (chip)	27P 50V J			
C831	UX062100	Ceramic Capacitor (chip)	100P 50V J			01
C832	UR847470	Electrolytic Cap.	47.00 25.0V			01
C833	UR847470	Electrolytic Cap.	47.00 25.0V			01
C834	UX063100	Ceramic Capacitor (chip)	1000P 50V K			01
C835	UX063100	Ceramic Capacitor (chip)	1000P 50V K			01
C836	UR847100	Electrolytic Cap.	10.00 25.0V			01
C837	UR847100	Electrolytic Cap.	10.00 25.0V			01
C838	UX062220	Ceramic Capacitor (chip)	220P 50V J			01
C839	UX062220	Ceramic Capacitor (chip)	220P 50V J			01
C840	UX061680	Ceramic Capacitor (chip)	68P 50V J			01
C841	UX061680	Ceramic Capacitor (chip)	68P 50V J			01
C842	UR847470	Electrolytic Cap.	47.00 25.0V			01
C843	UR847470	Electrolytic Cap.	47.00 25.0V			01
C844	UX064100	Ceramic Capacitor (chip)	0.0100 50V K			01
-849	UX064100	Ceramic Capacitor (chip)	0.0100 50V K			01
C901	UR866220	Electrolytic Cap.	2.20 50.0V			01
C902	UR866330	Electrolytic Cap.	3.30 50.0V			01
C903	UR877470	Electrolytic Cap.	47.00 63.0V			
-906	UR877470	Electrolytic Cap.	47.00 63.0V			
C907	UR847100	Electrolytic Cap.	10.00 25.0V			01
-909	UR847100	Electrolytic Cap.	10.00 25.0V			01
C910	UX062220	Ceramic Capacitor (chip)	220P 50V J			01
-912	UX062220	Ceramic Capacitor (chip)	220P 50V J			01
* C913	UX060600	Ceramic Capacitor (chip)	6P 50V C			
* -915	UX060600	Ceramic Capacitor (chip)	6P 50V C			
C916	UR847100	Electrolytic Cap.	10.00 25.0V			01
-918	UR847100	Electrolytic Cap.	10.00 25.0V			01
C919	UX064100	Ceramic Capacitor (chip)	0.0100 50V K			01
-923	UX064100	Ceramic Capacitor (chip)	0.0100 50V K			01
C924	UX062220	Ceramic Capacitor (chip)	220P 50V J			01
-927	UX062220	Ceramic Capacitor (chip)	220P 50V J			01
C928	UX064100	Ceramic Capacitor (chip)	0.0100 50V K			01
C929	UX064100	Ceramic Capacitor (chip)	0.0100 50V K			01
C930	UX061470	Ceramic Capacitor (chip)	47P 50V J			
* C931	UX061470	Ceramic Capacitor (chip)	47P 50V J			
* C932	UX060600	Ceramic Capacitor (chip)	6P 50V C			
C933	UX061220	Ceramic Capacitor (chip)	22P 50V J			01
C934	UX064100	Ceramic Capacitor (chip)	0.0100 50V K			01
C935	UR847470	Electrolytic Cap.	47.00 25.0V			01
-940	UR847470	Electrolytic Cap.	47.00 25.0V			01
C941	UA655820	Mylar Capacitor	0.8200 50V J			01
C942	UA655470	Mylar Capacitor	0.4700 50V J			01
C943	UA655220	Mylar Capacitor	0.2200 50V J			01
C944	V5868900	Mylar Capacitor	0.1 50V J			

*: New Parts

RANK: Japan only

REF NO.	PART NO.	DESCRIPTION		REMARKS	QTY	RANK
C945	UA954470	Mylar Capacitor	0.0470 50V J			01
C946	UA954270	Mylar Capacitor	0.0270 50V J			01
C947	UA954120	Mylar Capacitor	0.0120 50V J			
C948	UA655820	Mylar Capacitor	0.8200 50V J			01
C949	UA655470	Mylar Capacitor	0.4700 50V J			01
C950	UA655220	Mylar Capacitor	0.2200 50V J			01
C951	V5868900	Mylar Capacitor	0.1 50V J			
C952	UA954470	Mylar Capacitor	0.0470 50V J			01
C953	UA954270	Mylar Capacitor	0.0270 50V J			01
C954	UA954120	Mylar Capacitor	0.0120 50V J			
C955	UA655820	Mylar Capacitor	0.8200 50V J			01
C956	UA655470	Mylar Capacitor	0.4700 50V J			01
C957	UA655220	Mylar Capacitor	0.2200 50V J			01
C958	V5868900	Mylar Capacitor	0.1 50V J			
C959	UA954470	Mylar Capacitor	0.0470 50V J			01
C960	UA954270	Mylar Capacitor	0.0270 50V J			01
C961	UA954120	Mylar Capacitor	0.0120 50V J			
C962	UA954820	Mylar Capacitor	0.0820 50V J			01
C963	UA954390	Mylar Capacitor	0.0390 50V J			01
C964	UA954180	Mylar Capacitor	0.0180 50V J			01
C965	UA954100	Mylar Capacitor	0.0100 50V J			01
C966	UA953470	Mylar Capacitor	4700P 50V J			01
C967	UA953220	Mylar Capacitor	2200P 50V J			01
C968	UA953120	Mylar Capacitor	1200P 50V J			01
C969	UA954820	Mylar Capacitor	0.0820 50V J			01
C970	UA954390	Mylar Capacitor	0.0390 50V J			01
C971	UA954180	Mylar Capacitor	0.0180 50V J			01
C972	UA954100	Mylar Capacitor	0.0100 50V J			01
C973	UA953470	Mylar Capacitor	4700P 50V J			01
C974	UA953220	Mylar Capacitor	2200P 50V J			01
C975	UA953120	Mylar Capacitor	1200P 50V J			01
C976	UA954820	Mylar Capacitor	0.0820 50V J			01
C977	UA954390	Mylar Capacitor	0.0390 50V J			01
C978	UA954180	Mylar Capacitor	0.0180 50V J			01
C979	UA954100	Mylar Capacitor	0.0100 50V J			01
C980	UA953470	Mylar Capacitor	4700P 50V J			01
C981	UA953220	Mylar Capacitor	2200P 50V J			01
C982	UA953120	Mylar Capacitor	1200P 50V J			01
C983	UX064100	Ceramic Capacitor (chip)	0.0100 50V K			01
-985	UX064100	Ceramic Capacitor (chip)	0.0100 50V K			01
C986	UX062470	Ceramic Capacitor (chip)	470P 50V J			
C987	UX064100	Ceramic Capacitor (chip)	0.0100 50V K			01
-989	UX064100	Ceramic Capacitor (chip)	0.0100 50V K			01
C990	UX062470	Ceramic Capacitor (chip)	470P 50V J			
C991	UX064100	Ceramic Capacitor (chip)	0.0100 50V K			01
-994	UX064100	Ceramic Capacitor (chip)	0.0100 50V K			01
C995	UX062470	Ceramic Capacitor (chip)	470P 50V J			
C996	UX064100	Ceramic Capacitor (chip)	0.0100 50V K			01
C997	UX064100	Ceramic Capacitor (chip)	0.0100 50V K			01
C998	UR847470	Electrolytic Cap.	47.00 25.0V			01
C999	UR847470	Electrolytic Cap.	47.00 25.0V			01
CA01	UR847470	Electrolytic Cap.	47.00 25.0V			01
CA02	UR847100	Electrolytic Cap.	10.00 25.0V			01
CA03	UR847100	Electrolytic Cap.	10.00 25.0V			01
CA04	UX063100	Ceramic Capacitor (chip)	1000P 50V K			01
CA05	UR847100	Electrolytic Cap.	10.00 25.0V			01
CA06	UR847100	Electrolytic Cap.	10.00 25.0V			01
CA07	UX062220	Ceramic Capacitor (chip)	220P 50V J			01
CA08	UX061680	Ceramic Capacitor (chip)	68P 50V J			01
CA09	UR847470	Electrolytic Cap.	47.00 25.0V			01
CA10	UR847100	Electrolytic Cap.	10.00 25.0V			01
CA11	UX062220	Ceramic Capacitor (chip)	220P 50V J			01
CA12	UX061680	Ceramic Capacitor (chip)	68P 50V J			01
CA13	UR847470	Electrolytic Cap.	47.00 25.0V			01
CA14	UR847100	Electrolytic Cap.	10.00 25.0V			01
CA15	UX061470	Ceramic Capacitor (chip)	47P 50V J			
CA16	UR847470	Electrolytic Cap.	47.00 25.0V			01
CA17	UX061470	Ceramic Capacitor (chip)	47P 50V J			
CA18	UX062100	Ceramic Capacitor (chip)	100P 50V J			01
CA19	UR847470	Electrolytic Cap.	47.00 25.0V			01

*: New Parts

RANK: Japan only

EMX68S / EMX88S

REF NO.	PART NO.	DESCRIPTION		REMARKS	QTY	RANK
CA20	UR847100	Electrolytic Cap.	10.00 25.0V			01
CA21	UX062220	Ceramic Capacitor (chip)	220P 50V J			01
CA22	UX061680	Ceramic Capacitor (chip)	68P 50V J			01
CA23	UR847470	Electrolytic Cap.	47.00 25.0V			01
CA24	UR847100	Electrolytic Cap.	10.00 25.0V			01
CA25	UX062220	Ceramic Capacitor (chip)	220P 50V J			01
CA26	UX061680	Ceramic Capacitor (chip)	68P 50V J			01
CA27	UR847470	Electrolytic Cap.	47.00 25.0V			01
CA28	UX064100	Ceramic Capacitor (chip)	0.0100 50V K			01
-A33	UX064100	Ceramic Capacitor (chip)	0.0100 50V K			01
CA34	UX062100	Ceramic Capacitor (chip)	100P 50V J			01
CA35	UX061470	Ceramic Capacitor (chip)	47P 50V J			01
CA36	UX062220	Ceramic Capacitor (chip)	220P 50V J			01
CA37	UX061470	Ceramic Capacitor (chip)	47P 50V J			01
CA38	UX062220	Ceramic Capacitor (chip)	220P 50V J			01
CA39	UX061470	Ceramic Capacitor (chip)	47P 50V J			01
CA40	UX062220	Ceramic Capacitor (chip)	220P 50V J			01
CA41	UX061470	Ceramic Capacitor (chip)	47P 50V J			01
CA42	UX062220	Ceramic Capacitor (chip)	220P 50V J			01
CA43	UX060600	Ceramic Capacitor (chip)	6P 50V C			01
CA44	UX062220	Ceramic Capacitor (chip)	220P 50V J			01
CA45	UX061470	Ceramic Capacitor (chip)	47P 50V J			01
CA46	UX062220	Ceramic Capacitor (chip)	220P 50V J			01
CA47	UX061220	Ceramic Capacitor (chip)	22P 50V J			01
CA48	UX062220	Ceramic Capacitor (chip)	220P 50V J			01
CA49	UX061470	Ceramic Capacitor (chip)	47P 50V J			01
CA50	UX062220	Ceramic Capacitor (chip)	220P 50V J			01
CA51	UX064100	Ceramic Capacitor (chip)	0.0100 50V K			01
-A58	UX064100	Ceramic Capacitor (chip)	0.0100 50V K			01
CB01	UA655120	Mylar Capacitor	0.1200 50V J			01
CB02	UA655120	Mylar Capacitor	0.1200 50V J			01
CB03	UR828470	Electrolytic Cap.	470.00 10.0V			01
CB04	UA655120	Mylar Capacitor	0.1200 50V J			01
CB05	UA655120	Mylar Capacitor	0.1200 50V J			01
CB06	UR828470	Electrolytic Cap.	470.00 10.0V			01
CB07	UX062100	Ceramic Capacitor (chip)	100P 50V J			01
CB08	UX064100	Ceramic Capacitor (chip)	0.0100 50V K			01
CB09	UX062220	Ceramic Capacitor (chip)	220P 50V J			01
CB10	UX062100	Ceramic Capacitor (chip)	100P 50V J			01
CB11	UX064100	Ceramic Capacitor (chip)	0.0100 50V K			01
CB12	UX062220	Ceramic Capacitor (chip)	220P 50V J			01
CB13	UX063100	Ceramic Capacitor (chip)	1000P 50V K			01
CB14	UX062470	Ceramic Capacitor (chip)	470P 50V J			01
CB15	UR847100	Electrolytic Cap.	10.00 25.0V			01
CB16	UX063100	Ceramic Capacitor (chip)	1000P 50V K			01
CB17	UX062470	Ceramic Capacitor (chip)	470P 50V J			01
CB18	UR847100	Electrolytic Cap.	10.00 25.0V			01
CB19	UR866100	Electrolytic Cap.	1.00 50.0V			01
CB20	UR866100	Electrolytic Cap.	1.00 50.0V			01
CB21	UX064100	Ceramic Capacitor (chip)	0.0100 50V K			01
-B26	UX064100	Ceramic Capacitor (chip)	0.0100 50V K			01
CN901	VQ047800	Connector, FFC	52045 27P TE			02
CN903	VV067500	Connector Base Post	M2426XX 15P TE			01
D501	VT332900	Diode	1SS355 TE-17			01
D502	VT332900	Diode	1SS355 TE-17			01
D601	VT332900	Diode	1SS355 TE-17			01
D602	VT332900	Diode	1SS355 TE-17			01
D901	VT332900	Diode	1SS355 TE-17			01
-904	VT332900	Diode	1SS355 TE-17			01
EM901	VV056900	Noise Filter	ZJSR5101-223TA			01
EM902	VV056900	Noise Filter	ZJSR5101-223TA			01
EN901	VZ303900	Rotary Encoder	SDB161PVB	PROGRAM		06
IC101	XJ553A00	IC	NJM2068MD-T1	OP AMP		02
IC102	IG103520	IC	NJM4558M(T1)	OP AMP		03
IC103	IG103520	IC	NJM4558M(T1)	OP AMP		03
IC301	XJ553A00	IC	NJM2068MD-T1	OP AMP		02
IC302	IG103520	IC	NJM4558M(T1)	OP AMP		03
IC303	IG103520	IC	NJM4558M(T1)	OP AMP		03
IC501	XV423A00	IC	TL072CPSR	OP AMP		03
IC502	XJ553A00	IC	NJM2068MD-T1	OP AMP		02

*: New Parts

RANK: Japan only

REF NO.	PART NO.	DESCRIPTION	REMARKS	QTY	RANK
IC503	XJ553A00	IC	NJM2068MD-T1	OP AMP	02
IC504	IG103520	IC	NJM4558M(T1)	OP AMP	03
IC505	IG103520	IC	NJM4558M(T1)	OP AMP	03
IC701	XJ553A00	IC	NJM2068MD-T1	OP AMP	02
IC702	IG103520	IC	NJM4558M(T1)	OP AMP	03
IC703	IG103520	IC	NJM4558M(T1)	OP AMP	03
IC704	XJ553A00	IC	NJM2068MD-T1	OP AMP	02
IC801	XJ553A00	IC	NJM2068MD-T1	OP AMP	02
IC802	IG103520	IC	NJM4558M(T1)	OP AMP	03
IC803	IG103520	IC	NJM4558M(T1)	OP AMP	03
IC901	XJ553A00	IC	NJM2068MD-T1	OP AMP	02
-904	XJ553A00	IC	NJM2068MD-T1	OP AMP	02
IC905	XM560A00	IC	NJM2060M(T2)OP	OP AMP	
-910	XM560A00	IC	NJM2060M(T2)OP	OP AMP	
IC911	XZ348A00	IC	LB1423N	LED DRIVER	02
-913	XZ348A00	IC	LB1423N	LED DRIVER	02
IC914	XJ553A00	IC	NJM2068MD-T1	OP AMP	02
-917	XJ553A00	IC	NJM2068MD-T1	OP AMP	02
IC918	IG103520	IC	NJM4558M(T1)	OP AMP	03
IC919	IG103520	IC	NJM4558M(T1)	OP AMP	03
IC920	XJ553A00	IC	NJM2068MD-T1	OP AMP	02
-923	XJ553A00	IC	NJM2068MD-T1	OP AMP	02
JK101	V6127200	XLM Connector	JY-5042	Low-Z (CH1)	03
JK102	V2886000	Phone Jack	JY-6351J-06-340	Hi-Z (CH1)	02
JK201	V6127200	XLM Connector	JY-5042	Low-Z (CH2)	03
JK202	V2886000	Phone Jack	JY-6351J-06-340	Hi-Z (CH2)	02
JK301	V6127200	XLM Connector	JY-5042	Low-Z (CH3)	03
JK302	V2886000	Phone Jack	JY-6351J-06-340	Hi-Z (CH3)	02
JK401	V6127200	XLM Connector	JY-5042	Low-Z (CH4)	03
JK402	V2886000	Phone Jack	JY-6351J-06-340	Hi-Z (CH4)	02
JK501	V6127200	XLM Connector	JY-5042	Low-Z (CH5)	03
JK502	V2886000	Phone Jack	JY-6351J-06-340	Super Hi-Z (CH5)	02
JK601	V6127200	XLM Connector	JY-5042	Low-Z (CH6)	03
JK602	V2886000	Phone Jack	JY-6351J-06-340	Super Hi-Z (CH6)	02
JK701	V6127200	XLM Connector	JY-5042	MIC (CH7)	03
JK702	V2886000	Phone Jack	JY-6351J-06-340	LINE L MONO (CH7)	02
JK703	V2886000	Phone Jack	JY-6351J-06-340	LINE R (CH7)	02
JK801	V6127200	XLM Connector	JY-5042	MIC (CH8)	03
JK802	V2886000	Phone Jack	JY-6351J-06-340	LINE L MONO (CH8)	02
JK803	V2886000	Phone Jack	JY-6351J-06-340	LINE R (CH8)	02
JK901	V2886000	Phone Jack	JY-6351J-06-340	AUX IN L (MONO)	02
JK902	V2886000	Phone Jack	JY-6351J-06-340	AUX IN R	02
JK903	V4807700	Pin Jack	RJ-1130A-09-0320A	2TR IN (L, R), REC OUT (L, R)	03
JK904	V2886000	Phone Jack	JY-6351J-06-340	FOOT SW (EFFECT ON/OFF)	02
JK905	V2886000	Phone Jack	JY-6351J-06-340	FOOT SW (TAP)	02
JK906	V2886000	Phone Jack	JY-6351J-06-340	OUTPUT MAIN L	02
JK907	V2886000	Phone Jack	JY-6351J-06-340	OUTPUT MAIN R	02
JK908	V2886000	Phone Jack	JY-6351J-06-340	OUTPUT MONITOR	02
JK909	V2886000	Phone Jack	JY-6351J-06-340	EFFECT OUT	02
LD901	V8840100	LED	L34HD-TNB5/13.6 RED	STAND-BY (CH1-8 MUTE)	
LD902	V8840400	LED	L34YD-TNB5/13.6 YELLOW	SPX ON	
LD903	V8840200	LED	L34GD-TNB5/13.6 GREEN	SPX TAP	
LD904	V8840400	LED	L34YD-TNB5/13.6	+6 (MAIN L)	
LD905	V8840400	LED	L34YD-TNB5/13.6	+3 (MAIN L)	
LD906	V8840400	LED	L34YD-TNB5/13.6	0 (MAIN L)	
LD907	V8840200	LED	L34GD-TNB5/13.6	-5 (MAIN L)	
LD908	V8840200	LED	L34GD-TNB5/13.6	-10 (MAIN L)	
LD909	V8840400	LED	L34YD-TNB5/13.6	+6 (MAIN R)	
LD910	V8840400	LED	L34YD-TNB5/13.6	+3 (MAIN R)	
LD911	V8840400	LED	L34YD-TNB5/13.6	0 (MAIN R)	
LD912	V8840200	LED	L34GD-TNB5/13.6	-5 (MAIN R)	
LD913	V8840200	LED	L34GD-TNB5/13.6	-10 (MAIN R)	
LD914	V8840400	LED	L34YD-TNB5/13.6	+6 (MONITOR)	
LD915	V8840400	LED	L34YD-TNB5/13.6	+3 (MONITOR)	
LD916	V8840400	LED	L34YD-TNB5/13.6	0 (MONITOR)	
LD917	V8840200	LED	L34GD-TNB5/13.6	-5 (MONITOR)	
LD918	V8840200	LED	L34GD-TNB5/13.6	-10 (MONITOR)	
LD919	V8840100	LED	L34HD-TNB5/13.6 RED	LIMITER A	
LD920	V8840100	LED	L34HD-TNB5/13.6 RED	LIMITER B	

*: New Parts

RANK: Japan only

EMX68S / EMX88S

REF NO.	PART NO.	DESCRIPTION		REMARKS	QTY	RANK
* LD921	V8840400	LED	L34YD-TNB5/13.6	YSP		
* LD922	V8840200	LED	L34GD-TNB5/13.6	POWER		
* LD923	V8840400	LED	L34YD-TNB5/13.6	PHANTOM ON/OFF		
* Q101	V7421700	Transistor (chip)	2SC2SC3324 GR,BL			
* Q102	V7421700	Transistor (chip)	2SC2SC3324 GR,BL			
* Q201	V7421700	Transistor (chip)	2SC2SC3324 GR,BL			
* Q202	V7421700	Transistor (chip)	2SC2SC3324 GR,BL			
* Q301	V7421700	Transistor (chip)	2SC2SC3324 GR,BL			
* Q302	V7421700	Transistor (chip)	2SC2SC3324 GR,BL			
* Q401	V7421700	Transistor (chip)	2SC2SC3324 GR,BL			
* Q402	V7421700	Transistor (chip)	2SC2SC3324 GR,BL			
* Q501	V7421700	Transistor (chip)	2SC2SC3324 GR,BL			
* Q502	V7421700	Transistor (chip)	2SC2SC3324 GR,BL			
* Q601	V7421700	Transistor (chip)	2SC2SC3324 GR,BL			
* Q602	V7421700	Transistor (chip)	2SC2SC3324 GR,BL			
* Q701	V7421700	Transistor (chip)	2SC2SC3324 GR,BL			
* Q702	V7421700	Transistor (chip)	2SC2SC3324 GR,BL			
* Q801	V7421700	Transistor (chip)	2SC2SC3324 GR,BL			
* Q802	V7421700	Transistor (chip)	2SC2SC3324 GR,BL			
* Q901	V7421800	Transistor	2SA2SA1312 GR,BL			
* Q902	V7421800	Transistor	2SA2SA1312 GR,BL			
* Q903	VD303700	Transistor	2SC3326 A,B TE85R			01
* -906	VD303700	Transistor	2SC3326 A,B TE85R			01
* Q907	VV655400	Digital Transistor	DTC114EKA TP			01
* Q908	VV655400	Digital Transistor	DTC114EKA TP			01
* Q909	V7421800	Transistor	2SA2SA1312 GR,BL			
* Q910	V7421800	Transistor	2SA2SA1312 GR,BL			
* Q911	V7421700	Transistor (chip)	2SC2SC3324 GR,BL			
* Q912	V7421700	Transistor (chip)	2SC2SC3324 GR,BL			
* Q913	VV655400	Digital Transistor	DTC114EKA TP			01
* Q914	V7421800	Transistor	2SA2SA1312 GR,BL			
* Q915	V7421800	Transistor	2SA2SA1312 GR,BL			
* Q916	V7421700	Transistor (chip)	2SC2SC3324 GR,BL			
* Q917	V7421700	Transistor (chip)	2SC2SC3324 GR,BL			
* Q918	VV655400	Digital Transistor	DTC114EKA TP			01
* Q919	VV655400	Digital Transistor	DTC114EKA TP			01
* Q920	VV655000	Digital Transistor	DTA114EKA TP			01
* Q921	VV655400	Digital Transistor	DTC114EKA TP			01
* Q922	VV655000	Digital Transistor	DTA114EKA TP			01
* R101	RG008100	Carbon Resistor (chip)	100K 0.1 J			
* R102	V2440200	Metal Film Resistor	2.4K 1/4 F			01
* R103	RF356390	Carbon Resistor (chip)	3.9K D 1608			
* R104	RG008100	Carbon Resistor (chip)	100K 0.1 J			
* R105	V2440200	Metal Film Resistor	2.4K 1/4 F			01
* R106	RF356390	Carbon Resistor (chip)	3.9K D 1608			
* R107	RG007150	Carbon Resistor (chip)	15K 0.1 J			
* R108	RG004100	Carbon Resistor (chip)	10 0.1 J			
* R109	RG004100	Carbon Resistor (chip)	10 0.1 J			
* R110	RF357470	Carbon Resistor (chip)	47.0K D 1608			
* R111	RF357470	Carbon Resistor (chip)	47.0K D 1608			
* R112	RG004100	Carbon Resistor (chip)	10 0.1 J			
* R113	RF356220	Carbon Resistor (chip)	2.2K D 1608			
* R114	RF356820	Carbon Resistor (chip)	8.2K D 1608			
* R115	RG006820	Carbon Resistor (chip)	8.2K 0.1 J			
* R116	RG005150	Carbon Resistor (chip)	150 0.1 J			
* R117	RF356220	Carbon Resistor (chip)	2.2K D 1608			
* R118	RF356820	Carbon Resistor (chip)	8.2K D 1608			
* R119	RG004100	Carbon Resistor (chip)	10 0.1 J			
* R120	RF357100	Carbon Resistor (chip)	10.0K D 1608			01
* R121	RF357100	Carbon Resistor (chip)	10.0K D 1608			01
* R122	RG007100	Carbon Resistor (chip)	10K 0.1 J			
* R123	RG005680	Carbon Resistor (chip)	680 0.1 J			
* R124	RG006270	Carbon Resistor (chip)	2.7K 0.1 J			
* R125	RG007100	Carbon Resistor (chip)	10K 0.1 J			
* R126	RG006270	Carbon Resistor (chip)	2.7K 0.1 J			
* R127	RG007100	Carbon Resistor (chip)	10K 0.1 J			
* R128	RG005680	Carbon Resistor (chip)	680 0.1 J			
* R129	RG006270	Carbon Resistor (chip)	2.7K 0.1 J			
* R130	RG004100	Carbon Resistor (chip)	10 0.1 J			
* R131	RG007180	Carbon Resistor (chip)	18K 0.1 J			

*: New Parts

RANK: Japan only

REF NO.	PART NO.	DESCRIPTION	REMARKS	QTY	RANK
R132	RG005220	Carbon Resistor (chip)	220 0.1 J		
R133	RG006180	Carbon Resistor (chip)	1.8K 0.1 J		
R134	RG007100	Carbon Resistor (chip)	10K 0.1 J		
R135	RG004100	Carbon Resistor (chip)	10 0.1 J		
R136	RG007100	Carbon Resistor (chip)	10K 0.1 J		
R137	RG007100	Carbon Resistor (chip)	10K 0.1 J		
R138	RG007220	Carbon Resistor (chip)	22K 0.1 J		
R139	RG007220	Carbon Resistor (chip)	22K 0.1 J		
R140	RG007180	Carbon Resistor (chip)	18K 0.1 J		
R141	RG007180	Carbon Resistor (chip)	18K 0.1 J		
R142	VV058400	Flame Proof C. Resistor	390.0 1/4 J		01
R143	RG008100	Carbon Resistor (chip)	100K 0.1 J		
R201	RG008100	Carbon Resistor (chip)	100K 0.1 J		
R202	V2440200	Metal Film Resistor	2.4K 1/4 F		01
R203	RF356390	Carbon Resistor (chip)	3.9K D 1608		
R204	RG008100	Carbon Resistor (chip)	100K 0.1 J		
R205	V2440200	Metal Film Resistor	2.4K 1/4 F		01
R206	RF356390	Carbon Resistor (chip)	3.9K D 1608		
R207	RG007150	Carbon Resistor (chip)	15K 0.1 J		
R208	RG004100	Carbon Resistor (chip)	10 0.1 J		
R209	RG004100	Carbon Resistor (chip)	10 0.1 J		
R210	RF357470	Carbon Resistor (chip)	47.0K D 1608		
R211	RF357470	Carbon Resistor (chip)	47.0K D 1608		
R212	RG004100	Carbon Resistor (chip)	10 0.1 J		
R213	RF356220	Carbon Resistor (chip)	2.2K D 1608		
R214	RF356820	Carbon Resistor (chip)	8.2K D 1608		
R215	RG006820	Carbon Resistor (chip)	8.2K 0.1 J		
R216	RG005150	Carbon Resistor (chip)	150 0.1 J		
R217	RF356220	Carbon Resistor (chip)	2.2K D 1608		
R218	RF356820	Carbon Resistor (chip)	8.2K D 1608		
R219	RG004100	Carbon Resistor (chip)	10 0.1 J		
R220	RF357100	Carbon Resistor (chip)	10.0K D 1608		01
R221	RF357100	Carbon Resistor (chip)	10.0K D 1608		01
R222	RG007100	Carbon Resistor (chip)	10K 0.1 J		
R223	RG005680	Carbon Resistor (chip)	680 0.1 J		
R224	RG006270	Carbon Resistor (chip)	2.7K 0.1 J		
R225	RG007100	Carbon Resistor (chip)	10K 0.1 J		
R226	RG006270	Carbon Resistor (chip)	2.7K 0.1 J		
R227	RG007100	Carbon Resistor (chip)	10K 0.1 J		
R228	RG005680	Carbon Resistor (chip)	680 0.1 J		
R229	RG006270	Carbon Resistor (chip)	2.7K 0.1 J		
R230	RG004100	Carbon Resistor (chip)	10 0.1 J		
R231	RG007180	Carbon Resistor (chip)	18K 0.1 J		
R232	RG005220	Carbon Resistor (chip)	220 0.1 J		
R233	RG006180	Carbon Resistor (chip)	1.8K 0.1 J		
R234	RG007100	Carbon Resistor (chip)	10K 0.1 J		
R235	RG004100	Carbon Resistor (chip)	10 0.1 J		
R236	RG007100	Carbon Resistor (chip)	10K 0.1 J		
R237	RG007100	Carbon Resistor (chip)	10K 0.1 J		
R238	RG007220	Carbon Resistor (chip)	22K 0.1 J		
R239	RG007220	Carbon Resistor (chip)	22K 0.1 J		
R240	RG007180	Carbon Resistor (chip)	18K 0.1 J		
R241	RG007180	Carbon Resistor (chip)	18K 0.1 J		
R301	RG008100	Carbon Resistor (chip)	100K 0.1 J		
R302	V2440200	Metal Film Resistor	2.4K 1/4 F		01
R303	RF356390	Carbon Resistor (chip)	3.9K D 1608		
R304	RG008100	Carbon Resistor (chip)	100K 0.1 J		
R305	V2440200	Metal Film Resistor	2.4K 1/4 F		01
R306	RF356390	Carbon Resistor (chip)	3.9K D 1608		
R307	RG007150	Carbon Resistor (chip)	15K 0.1 J		
R308	RG004100	Carbon Resistor (chip)	10 0.1 J		
R309	RG004100	Carbon Resistor (chip)	10 0.1 J		
R310	RF357470	Carbon Resistor (chip)	47.0K D 1608		
R311	RF357470	Carbon Resistor (chip)	47.0K D 1608		
R312	RG004100	Carbon Resistor (chip)	10 0.1 J		
R313	RF356220	Carbon Resistor (chip)	2.2K D 1608		
R314	RF356820	Carbon Resistor (chip)	8.2K D 1608		
R315	RG006820	Carbon Resistor (chip)	8.2K 0.1 J		
R316	RG005150	Carbon Resistor (chip)	150 0.1 J		
R317	RF356220	Carbon Resistor (chip)	2.2K D 1608		

*: New Parts

RANK: Japan only

EMX68S / EMX88S

REF NO.	PART NO.	DESCRIPTION	REMARKS	QTY	RANK
* R318	RF356820	Carbon Resistor (chip)	8.2K D 1608		
R319	RG004100	Carbon Resistor (chip)	10 0.1 J		
R320	RF357100	Carbon Resistor (chip)	10.0K D 1608		01
R321	RF357100	Carbon Resistor (chip)	10.0K D 1608		01
R322	RG007100	Carbon Resistor (chip)	10K 0.1 J		
R323	RG005680	Carbon Resistor (chip)	680 0.1 J		
R324	RG006270	Carbon Resistor (chip)	2.7K 0.1 J		
R325	RG007100	Carbon Resistor (chip)	10K 0.1 J		
R326	RG006270	Carbon Resistor (chip)	2.7K 0.1 J		
R327	RG007100	Carbon Resistor (chip)	10K 0.1 J		
R328	RG005680	Carbon Resistor (chip)	680 0.1 J		
R329	RG006270	Carbon Resistor (chip)	2.7K 0.1 J		
R330	RG004100	Carbon Resistor (chip)	10 0.1 J		
R331	RG007180	Carbon Resistor (chip)	18K 0.1 J		
R332	RG005220	Carbon Resistor (chip)	220 0.1 J		
* R333	RG006180	Carbon Resistor (chip)	1.8K 0.1 J		
R334	RG007100	Carbon Resistor (chip)	10K 0.1 J		
R335	RG004100	Carbon Resistor (chip)	10 0.1 J		
R336	RG007100	Carbon Resistor (chip)	10K 0.1 J		
R337	RG007100	Carbon Resistor (chip)	10K 0.1 J		
R338	RG007220	Carbon Resistor (chip)	22K 0.1 J		
R339	RG007220	Carbon Resistor (chip)	22K 0.1 J		
R340	RG007180	Carbon Resistor (chip)	18K 0.1 J		
R341	RG007180	Carbon Resistor (chip)	18K 0.1 J		
R401	RG008100	Carbon Resistor (chip)	100K 0.1 J		
R402	V2440200	Metal Film Resistor	2.4K 1/4 F		01
* R403	RF356390	Carbon Resistor (chip)	3.9K D 1608		
R404	RG008100	Carbon Resistor (chip)	100K 0.1 J		
R405	V2440200	Metal Film Resistor	2.4K 1/4 F		01
* R406	RF356390	Carbon Resistor (chip)	3.9K D 1608		
* R407	RG007150	Carbon Resistor (chip)	15K 0.1 J		
R408	RG004100	Carbon Resistor (chip)	10 0.1 J		
R409	RG004100	Carbon Resistor (chip)	10 0.1 J		
* R410	RF357470	Carbon Resistor (chip)	47.0K D 1608		
* R411	RF357470	Carbon Resistor (chip)	47.0K D 1608		
R412	RG004100	Carbon Resistor (chip)	10 0.1 J		
* R413	RF356220	Carbon Resistor (chip)	2.2K D 1608		
* R414	RF356820	Carbon Resistor (chip)	8.2K D 1608		
R415	RG006820	Carbon Resistor (chip)	8.2K 0.1 J		
* R416	RG005150	Carbon Resistor (chip)	150 0.1 J		
* R417	RF356220	Carbon Resistor (chip)	2.2K D 1608		
* R418	RF356820	Carbon Resistor (chip)	8.2K D 1608		
R419	RG004100	Carbon Resistor (chip)	10 0.1 J		
R420	RF357100	Carbon Resistor (chip)	10.0K D 1608		01
R421	RF357100	Carbon Resistor (chip)	10.0K D 1608		01
R422	RG007100	Carbon Resistor (chip)	10K 0.1 J		
R423	RG005680	Carbon Resistor (chip)	680 0.1 J		
R424	RG006270	Carbon Resistor (chip)	2.7K 0.1 J		
R425	RG007100	Carbon Resistor (chip)	10K 0.1 J		
R426	RG006270	Carbon Resistor (chip)	2.7K 0.1 J		
R427	RG007100	Carbon Resistor (chip)	10K 0.1 J		
R428	RG005680	Carbon Resistor (chip)	680 0.1 J		
R429	RG006270	Carbon Resistor (chip)	2.7K 0.1 J		
R430	RG004100	Carbon Resistor (chip)	10 0.1 J		
R431	RG007180	Carbon Resistor (chip)	18K 0.1 J		
R432	RG005220	Carbon Resistor (chip)	220 0.1 J		
* R433	RG006180	Carbon Resistor (chip)	1.8K 0.1 J		
R434	RG007100	Carbon Resistor (chip)	10K 0.1 J		
R435	RG004100	Carbon Resistor (chip)	10 0.1 J		
R436	RG007100	Carbon Resistor (chip)	10K 0.1 J		
R437	RG007100	Carbon Resistor (chip)	10K 0.1 J		
R438	RG007220	Carbon Resistor (chip)	22K 0.1 J		
R439	RG007220	Carbon Resistor (chip)	22K 0.1 J		
R440	RG007180	Carbon Resistor (chip)	18K 0.1 J		
R441	RG007180	Carbon Resistor (chip)	18K 0.1 J		
R501	RG006100	Carbon Resistor (chip)	1.0K 0.1 J		
R502	V2440200	Metal Film Resistor	2.4K 1/4 F		01
R503	V2440200	Metal Film Resistor	2.4K 1/4 F		01
R504	RG008470	Carbon Resistor (chip)	470K 0.1 J		
* R505	RG007150	Carbon Resistor (chip)	15K 0.1 J		

*: New Parts

RANK: Japan only

REF NO.	PART NO.	DESCRIPTION		REMARKS	QTY	RANK
R506	RG004100	Carbon Resistor (chip)	10 0.1 J			
R507	RG004100	Carbon Resistor (chip)	10 0.1 J			
R508	RG006470	Carbon Resistor (chip)	4.7K 0.1 J			
* R509	RF357470	Carbon Resistor (chip)	47.0K D 1608			
* R510	RF357470	Carbon Resistor (chip)	47.0K D 1608			
R511	RG007470	Carbon Resistor (chip)	47K 0.1 J			
R512	RG004100	Carbon Resistor (chip)	10 0.1 J			
R513	RG004330	Carbon Resistor (chip)	33 0.1 J			
* R514	RF356220	Carbon Resistor (chip)	2.2K D 1608			
* R515	RF356820	Carbon Resistor (chip)	8.2K D 1608			
R516	RG006820	Carbon Resistor (chip)	8.2K 0.1 J			
* R517	RG005150	Carbon Resistor (chip)	150 0.1 J			
* R518	RF356220	Carbon Resistor (chip)	2.2K D 1608			
* R519	RF356820	Carbon Resistor (chip)	8.2K D 1608			
R520	RG004100	Carbon Resistor (chip)	10 0.1 J			
R521	RF357100	Carbon Resistor (chip)	10.0K D 1608			01
R522	RF357100	Carbon Resistor (chip)	10.0K D 1608			01
R523	RG007180	Carbon Resistor (chip)	18K 0.1 J			
R524	RG007180	Carbon Resistor (chip)	18K 0.1 J			
R525	RG008100	Carbon Resistor (chip)	100K 0.1 J			
R526	RG006820	Carbon Resistor (chip)	8.2K 0.1 J			
R527	RG007100	Carbon Resistor (chip)	10K 0.1 J			
R528	RG007100	Carbon Resistor (chip)	10K 0.1 J			
R529	RG005680	Carbon Resistor (chip)	680 0.1 J			
R530	RG006270	Carbon Resistor (chip)	2.7K 0.1 J			
R531	RG007100	Carbon Resistor (chip)	10K 0.1 J			
R532	RG006270	Carbon Resistor (chip)	2.7K 0.1 J			
R533	RG007100	Carbon Resistor (chip)	10K 0.1 J			
R534	RG005680	Carbon Resistor (chip)	680 0.1 J			
R535	RG006270	Carbon Resistor (chip)	2.7K 0.1 J			
R536	RG004100	Carbon Resistor (chip)	10 0.1 J			
R537	RG007180	Carbon Resistor (chip)	18K 0.1 J			
R538	RG005220	Carbon Resistor (chip)	220 0.1 J			
* R539	RG006180	Carbon Resistor (chip)	1.8K 0.1 J			
R540	RG007100	Carbon Resistor (chip)	10K 0.1 J			
R541	RG004100	Carbon Resistor (chip)	10 0.1 J			
R542	RG007100	Carbon Resistor (chip)	10K 0.1 J			
R543	RG007100	Carbon Resistor (chip)	10K 0.1 J			
R544	RG007220	Carbon Resistor (chip)	22K 0.1 J			
R545	RG007220	Carbon Resistor (chip)	22K 0.1 J			
R546	RG007180	Carbon Resistor (chip)	18K 0.1 J			
R547	RG007180	Carbon Resistor (chip)	18K 0.1 J			
R548	VV058400	Flame Proof C. Resistor	390.0 1/4 J			01
R549	RG008100	Carbon Resistor (chip)	100K 0.1 J			
R601	RG006100	Carbon Resistor (chip)	1.0K 0.1 J			
R602	V2440200	Metal Film Resistor	2.4K 1/4 F			01
R603	V2440200	Metal Film Resistor	2.4K 1/4 F			01
R604	RG008470	Carbon Resistor (chip)	470K 0.1 J			
* R605	RG007150	Carbon Resistor (chip)	15K 0.1 J			
R606	RG004100	Carbon Resistor (chip)	10 0.1 J			
R607	RG004100	Carbon Resistor (chip)	10 0.1 J			
R608	RG006470	Carbon Resistor (chip)	4.7K 0.1 J			
* R609	RF357470	Carbon Resistor (chip)	47.0K D 1608			
* R610	RF357470	Carbon Resistor (chip)	47.0K D 1608			
R611	RG007470	Carbon Resistor (chip)	47K 0.1 J			
R612	RG004100	Carbon Resistor (chip)	10 0.1 J			
R613	RG004330	Carbon Resistor (chip)	33 0.1 J			
* R614	RF356220	Carbon Resistor (chip)	2.2K D 1608			
* R615	RF356820	Carbon Resistor (chip)	8.2K D 1608			
R616	RG006820	Carbon Resistor (chip)	8.2K 0.1 J			
* R617	RG005150	Carbon Resistor (chip)	150 0.1 J			
* R618	RF356220	Carbon Resistor (chip)	2.2K D 1608			
* R619	RF356820	Carbon Resistor (chip)	8.2K D 1608			
R620	RG004100	Carbon Resistor (chip)	10 0.1 J			
R621	RF357100	Carbon Resistor (chip)	10.0K D 1608			01
R622	RF357100	Carbon Resistor (chip)	10.0K D 1608			01
R623	RG007180	Carbon Resistor (chip)	18K 0.1 J			
R624	RG007180	Carbon Resistor (chip)	18K 0.1 J			
R625	RG008100	Carbon Resistor (chip)	100K 0.1 J			
R626	RG006820	Carbon Resistor (chip)	8.2K 0.1 J			

*: New Parts

RANK: Japan only

EMX68S / EMX88S

REF NO.	PART NO.	DESCRIPTION	REMARKS	QTY	RANK
R627	RG007100	Carbon Resistor (chip)	10K 0.1 J		
R628	RG007100	Carbon Resistor (chip)	10K 0.1 J		
R629	RG005680	Carbon Resistor (chip)	680 0.1 J		
R630	RG006270	Carbon Resistor (chip)	2.7K 0.1 J		
R631	RG007100	Carbon Resistor (chip)	10K 0.1 J		
R632	RG006270	Carbon Resistor (chip)	2.7K 0.1 J		
R633	RG007100	Carbon Resistor (chip)	10K 0.1 J		
R634	RG005680	Carbon Resistor (chip)	680 0.1 J		
R635	RG006270	Carbon Resistor (chip)	2.7K 0.1 J		
R636	RG004100	Carbon Resistor (chip)	10 0.1 J		
R637	RG007180	Carbon Resistor (chip)	18K 0.1 J		
R638	RG005220	Carbon Resistor (chip)	220 0.1 J		
* R639	RG006180	Carbon Resistor (chip)	1.8K 0.1 J		
R640	RG007100	Carbon Resistor (chip)	10K 0.1 J		
R641	RG004100	Carbon Resistor (chip)	10 0.1 J		
R642	RG007100	Carbon Resistor (chip)	10K 0.1 J		
R643	RG007100	Carbon Resistor (chip)	10K 0.1 J		
R644	RG007220	Carbon Resistor (chip)	22K 0.1 J		
R645	RG007220	Carbon Resistor (chip)	22K 0.1 J		
R646	RG007180	Carbon Resistor (chip)	18K 0.1 J		
R647	RG007180	Carbon Resistor (chip)	18K 0.1 J		
R701	V2440200	Metal Film Resistor	2.4K 1/4 F		01
R702	RG008100	Carbon Resistor (chip)	100K 0.1 J		
R703	RG008100	Carbon Resistor (chip)	100K 0.1 J		
R704	V2440200	Metal Film Resistor	2.4K 1/4 F		01
* R705	RG007150	Carbon Resistor (chip)	15K 0.1 J		
R706	RG004100	Carbon Resistor (chip)	10 0.1 J		
R707	RG004100	Carbon Resistor (chip)	10 0.1 J		
* R708	RF357470	Carbon Resistor (chip)	47.0K D 1608		
* R709	RF357470	Carbon Resistor (chip)	47.0K D 1608		
R710	RG004100	Carbon Resistor (chip)	10 0.1 J		
* R711	RF356220	Carbon Resistor (chip)	2.2K D 1608		
* R712	RF356820	Carbon Resistor (chip)	8.2K D 1608		
* R713	RG005150	Carbon Resistor (chip)	150 0.1 J		
* R714	RF356220	Carbon Resistor (chip)	2.2K D 1608		
* R715	RF356820	Carbon Resistor (chip)	8.2K D 1608		
R716	RG004100	Carbon Resistor (chip)	10 0.1 J		
R717	RF357100	Carbon Resistor (chip)	10.0K D 1608		01
R718	RF357100	Carbon Resistor (chip)	10.0K D 1608		01
R719	RG007180	Carbon Resistor (chip)	18K 0.1 J		
-722	RG007180	Carbon Resistor (chip)	18K 0.1 J		
R723	RG008100	Carbon Resistor (chip)	100K 0.1 J		
R724	RG008100	Carbon Resistor (chip)	100K 0.1 J		
R725	RG006820	Carbon Resistor (chip)	8.2K 0.1 J		
R726	RG006820	Carbon Resistor (chip)	8.2K 0.1 J		
R727	RG007100	Carbon Resistor (chip)	10K 0.1 J		
-729	RG007100	Carbon Resistor (chip)	10K 0.1 J		
R730	RG005680	Carbon Resistor (chip)	680 0.1 J		
R731	RG006270	Carbon Resistor (chip)	2.7K 0.1 J		
R732	RG007100	Carbon Resistor (chip)	10K 0.1 J		
R733	RG005680	Carbon Resistor (chip)	680 0.1 J		
R734	RG006270	Carbon Resistor (chip)	2.7K 0.1 J		
R735	RG007100	Carbon Resistor (chip)	10K 0.1 J		
-737	RG007100	Carbon Resistor (chip)	10K 0.1 J		
R738	RG005680	Carbon Resistor (chip)	680 0.1 J		
R739	RG006270	Carbon Resistor (chip)	2.7K 0.1 J		
R740	RG006270	Carbon Resistor (chip)	2.7K 0.1 J		
R741	RG007100	Carbon Resistor (chip)	10K 0.1 J		
R742	RG005680	Carbon Resistor (chip)	680 0.1 J		
R743	RG006270	Carbon Resistor (chip)	2.7K 0.1 J		
R744	RG006270	Carbon Resistor (chip)	2.7K 0.1 J		
R745	RG004100	Carbon Resistor (chip)	10 0.1 J		
R746	RG004100	Carbon Resistor (chip)	10 0.1 J		
R747	RG007180	Carbon Resistor (chip)	18K 0.1 J		
R748	RG007180	Carbon Resistor (chip)	18K 0.1 J		
R749	RG005220	Carbon Resistor (chip)	220 0.1 J		
R750	RG005220	Carbon Resistor (chip)	220 0.1 J		
* R751	RG006180	Carbon Resistor (chip)	1.8K 0.1 J		
* R752	RG006180	Carbon Resistor (chip)	1.8K 0.1 J		
R753	RG007100	Carbon Resistor (chip)	10K 0.1 J		

*: New Parts

RANK: Japan only

REF NO.	PART NO.	DESCRIPTION	REMARKS	QTY	RANK
R754	RG007100	Carbon Resistor (chip)	10K 0.1 J		
R755	RG004100	Carbon Resistor (chip)	10 0.1 J		
R756	RG004100	Carbon Resistor (chip)	10 0.1 J		
R757	RG007100	Carbon Resistor (chip)	10K 0.1 J		
R758	RG007100	Carbon Resistor (chip)	10K 0.1 J		
R759	RG007220	Carbon Resistor (chip)	22K 0.1 J		
R760	RG007220	Carbon Resistor (chip)	22K 0.1 J		
R761	RG007270	Carbon Resistor (chip)	27K 0.1 J		
-764	RG007270	Carbon Resistor (chip)	27K 0.1 J		
R801	V2440200	Metal Film Resistor	2.4K 1/4 F		01
R802	RG008100	Carbon Resistor (chip)	100K 0.1 J		
R803	RG008100	Carbon Resistor (chip)	100K 0.1 J		
R804	V2440200	Metal Film Resistor	2.4K 1/4 F		01
* R805	RG007150	Carbon Resistor (chip)	15K 0.1 J		
R806	RG004100	Carbon Resistor (chip)	10 0.1 J		
R807	RG004100	Carbon Resistor (chip)	10 0.1 J		
* R808	RF357470	Carbon Resistor (chip)	47.0K D 1608		
* R809	RF357470	Carbon Resistor (chip)	47.0K D 1608		
R810	RG004100	Carbon Resistor (chip)	10 0.1 J		
* R811	RF356220	Carbon Resistor (chip)	2.2K D 1608		
* R812	RF356820	Carbon Resistor (chip)	8.2K D 1608		
* R813	RG005150	Carbon Resistor (chip)	150 0.1 J		
* R814	RF356220	Carbon Resistor (chip)	2.2K D 1608		
* R815	RF356820	Carbon Resistor (chip)	8.2K D 1608		
R816	RG004100	Carbon Resistor (chip)	10 0.1 J		
R817	RF357100	Carbon Resistor (chip)	10.0K D 1608		01
R818	RF357100	Carbon Resistor (chip)	10.0K D 1608		01
R819	RG007180	Carbon Resistor (chip)	18K 0.1 J		
-822	RG007180	Carbon Resistor (chip)	18K 0.1 J		
R823	RG008100	Carbon Resistor (chip)	100K 0.1 J		
R824	RG008100	Carbon Resistor (chip)	100K 0.1 J		
R825	RG006820	Carbon Resistor (chip)	8.2K 0.1 J		
R826	RG006820	Carbon Resistor (chip)	8.2K 0.1 J		
R827	RG007100	Carbon Resistor (chip)	10K 0.1 J		
-829	RG007100	Carbon Resistor (chip)	10K 0.1 J		
R830	RG005680	Carbon Resistor (chip)	680 0.1 J		
R831	RG006270	Carbon Resistor (chip)	2.7K 0.1 J		
R832	RG007100	Carbon Resistor (chip)	10K 0.1 J		
R833	RG005680	Carbon Resistor (chip)	680 0.1 J		
R834	RG006270	Carbon Resistor (chip)	2.7K 0.1 J		
R835	RG007100	Carbon Resistor (chip)	10K 0.1 J		
-837	RG007100	Carbon Resistor (chip)	10K 0.1 J		
R838	RG005680	Carbon Resistor (chip)	680 0.1 J		
R839	RG006270	Carbon Resistor (chip)	2.7K 0.1 J		
R840	RG006270	Carbon Resistor (chip)	2.7K 0.1 J		
R841	RG007100	Carbon Resistor (chip)	10K 0.1 J		
R842	RG005680	Carbon Resistor (chip)	680 0.1 J		
R843	RG006270	Carbon Resistor (chip)	2.7K 0.1 J		
R844	RG006270	Carbon Resistor (chip)	2.7K 0.1 J		
R845	RG004100	Carbon Resistor (chip)	10 0.1 J		
R846	RG004100	Carbon Resistor (chip)	10 0.1 J		
R847	RG007180	Carbon Resistor (chip)	18K 0.1 J		
R848	RG007180	Carbon Resistor (chip)	18K 0.1 J		
R849	RG005220	Carbon Resistor (chip)	220 0.1 J		
R850	RG005220	Carbon Resistor (chip)	220 0.1 J		
* R851	RG006180	Carbon Resistor (chip)	1.8K 0.1 J		
* R852	RG006180	Carbon Resistor (chip)	1.8K 0.1 J		
R853	RG007100	Carbon Resistor (chip)	10K 0.1 J		
R854	RG007100	Carbon Resistor (chip)	10K 0.1 J		
R855	RG004100	Carbon Resistor (chip)	10 0.1 J		
R856	RG004100	Carbon Resistor (chip)	10 0.1 J		
R857	RG007100	Carbon Resistor (chip)	10K 0.1 J		
R858	RG007100	Carbon Resistor (chip)	10K 0.1 J		
R859	RG007220	Carbon Resistor (chip)	22K 0.1 J		
R860	RG007220	Carbon Resistor (chip)	22K 0.1 J		
R861	RG007270	Carbon Resistor (chip)	27K 0.1 J		
-864	RG007270	Carbon Resistor (chip)	27K 0.1 J		
R901	RG008150	Carbon Resistor (chip)	150K 0.1 J		
* R902	RG007150	Carbon Resistor (chip)	15K 0.1 J		
R903	RG008100	Carbon Resistor (chip)	100K 0.1 J		

*: New Parts

RANK: Japan only

EMX68S / EMX88S

REF NO.	PART NO.	DESCRIPTION		REMARKS	QTY	RANK
*	R904	RG206270	Carbon Resistor (chip)	2.7K 1/4 J		
	R905	RG007120	Carbon Resistor (chip)	12K 0.1 J		
	R906	RG007120	Carbon Resistor (chip)	12K 0.1 J		
*	R907	RG007560	Carbon Resistor (chip)	56K 0.1 J		
*	R908	RG007560	Carbon Resistor (chip)	56K 0.1 J		
*	R909	RG008180	Carbon Resistor (chip)	180K 0.1 J		
*	R910	RG008180	Carbon Resistor (chip)	180K 0.1 J		
*	R911	RG007200	Carbon Resistor (chip)	20K 0.1 J		
	R912	RG007100	Carbon Resistor (chip)	10K 0.1 J		
	-915	RG007100	Carbon Resistor (chip)	10K 0.1 J		
*	R916	RG006120	Carbon Resistor (chip)	1.2K 0.1 J		
	R917	RG007180	Carbon Resistor (chip)	18K 0.1 J		
	R918	RG007180	Carbon Resistor (chip)	18K 0.1 J		
	R919	RG007240	Carbon Resistor (chip)	24K 0.1 J		
	R920	RG007240	Carbon Resistor (chip)	24K 0.1 J		
	R921	RG007180	Carbon Resistor (chip)	18K 0.1 J		
	R922	RG007180	Carbon Resistor (chip)	18K 0.1 J		
*	R923	RG006120	Carbon Resistor (chip)	1.2K 0.1 J		
	R924	RG006150	Carbon Resistor (chip)	1.5K 0.1 J		
	R925	RG006150	Carbon Resistor (chip)	1.5K 0.1 J		
*	R926	RG008130	Carbon Resistor (chip)	130K 0.1 J		
*	R927	RG008130	Carbon Resistor (chip)	130K 0.1 J		
*	R928	RG007820	Carbon Resistor (chip)	82K 0.1 J		
	R929	RG004100	Carbon Resistor (chip)	10 0.1 J		
	-931	RG004100	Carbon Resistor (chip)	10 0.1 J		
	R932	RG007560	Carbon Resistor (chip)	56K 0.1 J		
	R933	RG007560	Carbon Resistor (chip)	56K 0.1 J		
*	R934	RG008120	Carbon Resistor (chip)	120K 0.1 J		
	R935	RG007180	Carbon Resistor (chip)	18K 0.1 J		
	-937	RG007180	Carbon Resistor (chip)	18K 0.1 J		
	R938	RG007240	Carbon Resistor (chip)	24K 0.1 J		
*	R941	RG007200	Carbon Resistor (chip)	20K 0.1 J		
	R942	RG007120	Carbon Resistor (chip)	12K 0.1 J		
	R943	RG007560	Carbon Resistor (chip)	56K 0.1 J		
	R944	RG007560	Carbon Resistor (chip)	56K 0.1 J		
*	R945	RG008120	Carbon Resistor (chip)	120K 0.1 J		
*	R946	RG007180	Carbon Resistor (chip)	18K 0.1 J		
	R947	RG004100	Carbon Resistor (chip)	10 0.1 J		
	-950	RG004100	Carbon Resistor (chip)	10 0.1 J		
	R951	RG205330	Carbon Resistor (chip)	330 1/4 J		
	R952	RG205330	Carbon Resistor (chip)	330 1/4 J		
	R953	RG006330	Carbon Resistor (chip)	3.3K 0.1 J		
	-955	RG006330	Carbon Resistor (chip)	3.3K 0.1 J		
	R956	RG005560	Carbon Resistor (chip)	560 0.1 J		
	-976	RG005560	Carbon Resistor (chip)	560 0.1 J		
	R977	RG007470	Carbon Resistor (chip)	47K 0.1 J		
	-999	RG007470	Carbon Resistor (chip)	47K 0.1 J		
	RA01	RG007470	Carbon Resistor (chip)	47K 0.1 J		
	RA02	RG006330	Carbon Resistor (chip)	3.3K 0.1 J		
	-A04	RG006330	Carbon Resistor (chip)	3.3K 0.1 J		
	RA05	RG008100	Carbon Resistor (chip)	100K 0.1 J		
	-A07	RG008100	Carbon Resistor (chip)	100K 0.1 J		
	RA08	RG006470	Carbon Resistor (chip)	4.7K 0.1 J		
	RA09	RG007100	Carbon Resistor (chip)	10K 0.1 J		
*	RA10	RG005750	Carbon Resistor (chip)	750 0.1 J		
	RA11	RG007100	Carbon Resistor (chip)	10K 0.1 J		
*	RA12	RG205680	Carbon Resistor (chip)	680 1/4 J		
*	-A14	RG205680	Carbon Resistor (chip)	680 1/4 J		
	RA15	RG006470	Carbon Resistor (chip)	4.7K 0.1 J		
	RA16	RG007100	Carbon Resistor (chip)	10K 0.1 J		
*	RA17	RG005750	Carbon Resistor (chip)	750 0.1 J		
	RA18	RG007100	Carbon Resistor (chip)	10K 0.1 J		
*	RA19	RG205680	Carbon Resistor (chip)	680 1/4 J		
*	-A21	RG205680	Carbon Resistor (chip)	680 1/4 J		
	RA22	RG006470	Carbon Resistor (chip)	4.7K 0.1 J		
	RA23	RG007100	Carbon Resistor (chip)	10K 0.1 J		
*	RA24	RG005750	Carbon Resistor (chip)	750 0.1 J		
	RA25	RG007100	Carbon Resistor (chip)	10K 0.1 J		
*	RA26	RG205680	Carbon Resistor (chip)	680 1/4 J		
*	-A28	RG205680	Carbon Resistor (chip)	680 1/4 J		

*: New Parts

RANK: Japan only

REF NO.	PART NO.	DESCRIPTION	REMARKS	QTY	RANK
RA29	RG007180	Carbon Resistor (chip)	18K 0.1 J		
RA30	RG005220	Carbon Resistor (chip)	220 0.1 J		
* RA31	RG006430	Carbon Resistor (chip)	4.3K 0.1 J		
RA32	RG007100	Carbon Resistor (chip)	10K 0.1 J		
RA33	RG004100	Carbon Resistor (chip)	10 0.1 J		
RA34	RG005560	Carbon Resistor (chip)	560 0.1 J		
RA35	RG008100	Carbon Resistor (chip)	100K 0.1 J		
RA36	RG005560	Carbon Resistor (chip)	560 0.1 J		
RA37	RG007180	Carbon Resistor (chip)	18K 0.1 J		
RA38	RG005220	Carbon Resistor (chip)	220 0.1 J		
* RA39	RG006430	Carbon Resistor (chip)	4.3K 0.1 J		
RA40	RG007100	Carbon Resistor (chip)	10K 0.1 J		
RA41	RG004100	Carbon Resistor (chip)	10 0.1 J		
RA42	RG005560	Carbon Resistor (chip)	560 0.1 J		
RA43	RG008100	Carbon Resistor (chip)	100K 0.1 J		
RA44	RG005560	Carbon Resistor (chip)	560 0.1 J		
RA45	RG007180	Carbon Resistor (chip)	18K 0.1 J		
RA46	RG007180	Carbon Resistor (chip)	18K 0.1 J		
* RA47	RG007130	Carbon Resistor (chip)	13K 0.1 J		
RA48	RG008100	Carbon Resistor (chip)	100K 0.1 J		
RA49	RG004100	Carbon Resistor (chip)	10 0.1 J		
RA50	RG007100	Carbon Resistor (chip)	10K 0.1 J		
RA51	RG007100	Carbon Resistor (chip)	10K 0.1 J		
RA52	RG004100	Carbon Resistor (chip)	10 0.1 J		
RA53	RG008100	Carbon Resistor (chip)	100K 0.1 J		
RA54	RG007180	Carbon Resistor (chip)	18K 0.1 J		
RA55	RG005220	Carbon Resistor (chip)	220 0.1 J		
* RA56	RG006430	Carbon Resistor (chip)	4.3K 0.1 J		
RA57	RG007100	Carbon Resistor (chip)	10K 0.1 J		
RA58	RG004100	Carbon Resistor (chip)	10 0.1 J		
RA59	RG005560	Carbon Resistor (chip)	560 0.1 J		
RA60	RG008100	Carbon Resistor (chip)	100K 0.1 J		
RA61	RG005560	Carbon Resistor (chip)	560 0.1 J		
RA62	RG007180	Carbon Resistor (chip)	18K 0.1 J		
RA63	RG005220	Carbon Resistor (chip)	220 0.1 J		
* RA64	RG006430	Carbon Resistor (chip)	4.3K 0.1 J		
RA65	RG007100	Carbon Resistor (chip)	10K 0.1 J		
RA66	RG005560	Carbon Resistor (chip)	560 0.1 J		
RA67	RG008100	Carbon Resistor (chip)	100K 0.1 J		
RA68	RG005560	Carbon Resistor (chip)	560 0.1 J		
RA69	RG007220	Carbon Resistor (chip)	22K 0.1 J		
RA70	RG007560	Carbon Resistor (chip)	56K 0.1 J		
RA71	RG007100	Carbon Resistor (chip)	10K 0.1 J		
RA72	RG007100	Carbon Resistor (chip)	10K 0.1 J		
* RA73	RG007390	Carbon Resistor (chip)	39K 0.1 J		
RA74	RG007560	Carbon Resistor (chip)	56K 0.1 J		
RA75	RG007100	Carbon Resistor (chip)	10K 0.1 J		
RA76	RG007100	Carbon Resistor (chip)	10K 0.1 J		
RA77	RG007390	Carbon Resistor (chip)	39K 0.1 J		
* RA78	RG008120	Carbon Resistor (chip)	120K 0.1 J		
RA79	RG007100	Carbon Resistor (chip)	10K 0.1 J		
RA80	RG007100	Carbon Resistor (chip)	10K 0.1 J		
RA81	RG007820	Carbon Resistor (chip)	82K 0.1 J		
* RA82	RG007360	Carbon Resistor (chip)	36K 0.1 J		
RA83	RG007100	Carbon Resistor (chip)	10K 0.1 J		
RA84	RG007100	Carbon Resistor (chip)	10K 0.1 J		
* RB01	RF356390	Carbon Resistor (chip)	3.9K D 1608		
* RB02	RF357820	Carbon Resistor (chip)	82.0K D 1608		
* RB03	RG004180	Carbon Resistor (chip)	18 0.1 J		
* RB04	RG206270	Carbon Resistor (chip)	2.7K 1/4 J		
* RB05	RF356390	Carbon Resistor (chip)	3.9K D 1608		
* RB06	RF357820	Carbon Resistor (chip)	82.0K D 1608		
* RB07	RG004180	Carbon Resistor (chip)	18 0.1 J		
* RB08	RF357390	Carbon Resistor (chip)	39.0K D 1608		
* RB09	RF357390	Carbon Resistor (chip)	39.0K D 1608		
* RB10	RF357180	Carbon Resistor (chip)	18.0K D 1608		
RB11	RG007180	Carbon Resistor (chip)	18K 0.1 J		
RB12	RG007560	Carbon Resistor (chip)	56K 0.1 J		
RB13	RG007120	Carbon Resistor (chip)	12K 0.1 J		
RB14	RG004680	Carbon Resistor (chip)	68 0.1 J		

*: New Parts

RANK: Japan only

EMX68S / EMX88S

REF NO.	PART NO.	DESCRIPTION		REMARKS	QTY	RANK
RB15	RG007120	Carbon Resistor (chip)	12K 0.1 J			
RB16	RG004680	Carbon Resistor (chip)	68 0.1 J			
* RB17	RG206150	Carbon Resistor (chip)	1.5K 1/4 J			
RB18	RG007560	Carbon Resistor (chip)	56K 0.1 J			
RB19	RG007270	Carbon Resistor (chip)	27K 0.1 J			
* RB20	RG005330	Carbon Resistor (chip)	330 0.1 J			
RB21	RG007470	Carbon Resistor (chip)	47K 0.1 J			
RB22	RG008390	Carbon Resistor (chip)	390K 0.1 J			
RB23	RG008390	Carbon Resistor (chip)	390K 0.1 J			
RB24	RG007220	Carbon Resistor (chip)	22K 0.1 J			
RB25	RG007820	Carbon Resistor (chip)	82K 0.1 J			
RB26	RG005220	Carbon Resistor (chip)	220 0.1 J			
* RB27	RG008330	Carbon Resistor (chip)	330K 0.1 J			
* RB28	RF357180	Carbon Resistor (chip)	18.0K D 1608			
RB29	RG007180	Carbon Resistor (chip)	18K 0.1 J			
RB30	RG007560	Carbon Resistor (chip)	56K 0.1 J			
RB31	RG004680	Carbon Resistor (chip)	68 0.1 J			
RB32	RG007120	Carbon Resistor (chip)	12K 0.1 J			
RB33	RG007120	Carbon Resistor (chip)	12K 0.1 J			
RB34	RG004680	Carbon Resistor (chip)	68 0.1 J			
RB35	RG007560	Carbon Resistor (chip)	56K 0.1 J			
* RB36	RG206150	Carbon Resistor (chip)	1.5K 1/4 J			
RB37	RG007270	Carbon Resistor (chip)	27K 0.1 J			
* RB38	RG005330	Carbon Resistor (chip)	330 0.1 J			
RB39	RG007470	Carbon Resistor (chip)	47K 0.1 J			
RB40	RG007220	Carbon Resistor (chip)	22K 0.1 J			
RB41	RG008390	Carbon Resistor (chip)	390K 0.1 J			
RB42	RG008390	Carbon Resistor (chip)	390K 0.1 J			
RB43	RG007820	Carbon Resistor (chip)	82K 0.1 J			
RB44	RG005220	Carbon Resistor (chip)	220 0.1 J			
* RB45	RG008330	Carbon Resistor (chip)	330K 0.1 J			
* RB46	RG206270	Carbon Resistor (chip)	2.7K 1/4 J			
* RB48	RG206270	Carbon Resistor (chip)	2.7K 1/4 J			
RJ01	RG000000	Carbon Resistor (chip)	0 0.1 J			
-J06	RG000000	Carbon Resistor (chip)	0 0.1 J			
SW101	V6962600	Push Switch		PAD (CH1)		02
SW201	V6962600	Push Switch		PAD (CH2)		02
SW301	V6962600	Push Switch		PAD (CH3)		02
SW401	V6962600	Push Switch		PAD (CH4)		02
SW501	V6962600	Push Switch		PAD (CH5)		02
SW601	V6962600	Push Switch		PAD (CH6)		02
SW901	V6962600	Push Switch		STAND-BY (CH1-8 MUTE)		02
SW902	V3835200	Push Switch		SPX ON		01
SW903	V3835200	Push Switch		SPX TAP		01
* SW904	V8059400	Slide Switch	SS001P2430HcPA6	MAIN L-MAIN R, MAIN-MON, MAIN-BRIDGE		
* SW905	V8058000	Slide Switch	SS001P242BPcA6	YSP ON/OFF		
SW906	V3483200	Slide Switch	SS001P022BQcPA6	PHANTOM ON/OFF		03
* VR101	V8264700	Rotary Variable Resistor	B 50.0K XV09213P	LOW (CH1)		
* VR102	V8264700	Rotary Variable Resistor	B 50.0K XV09213P	MID (CH1)		
* VR103	V8264700	Rotary Variable Resistor	B 50.0K XV09213P	HIGH (CH1)		
* VR104	V8264600	Rotary Variable Resistor	A 20.0K XV09213P	LEVEL (CH1)		
* VR105	V8265000	Rotary Variable Resistor	B 10.0K XV09213P	PAN (CH1)		
* VR106	V8264600	Rotary Variable Resistor	A 20.0K XV09213P	EFFECT (CH1)		
* VR107	V8264600	Rotary Variable Resistor	A 20.0K XV09213P	MONITOR (CH1)		
* VR201	V8264700	Rotary Variable Resistor	B 50.0K XV09213P	LOW (CH2)		
* VR202	V8264700	Rotary Variable Resistor	B 50.0K XV09213P	MID (CH2)		
* VR203	V8264700	Rotary Variable Resistor	B 50.0K XV09213P	HIGH (CH2)		
* VR204	V8264600	Rotary Variable Resistor	A 20.0K XV09213P	LEVEL (CH2)		
* VR205	V8265000	Rotary Variable Resistor	B 10.0K XV09213P	PAN (CH2)		
* VR206	V8264600	Rotary Variable Resistor	A 20.0K XV09213P	EFFECT (CH2)		
* VR207	V8264600	Rotary Variable Resistor	A 20.0K XV09213P	MONITOR (CH2)		
* VR301	V8264700	Rotary Variable Resistor	B 50.0K XV09213P	LOW (CH3)		
* VR302	V8264700	Rotary Variable Resistor	B 50.0K XV09213P	MID (CH3)		
* VR303	V8264700	Rotary Variable Resistor	B 50.0K XV09213P	HIGH (CH3)		
* VR304	V8264600	Rotary Variable Resistor	A 20.0K XV09213P	LEVEL (CH3)		
* VR305	V8265000	Rotary Variable Resistor	B 10.0K XV09213P	PAN (CH3)		
* VR306	V8264600	Rotary Variable Resistor	A 20.0K XV09213P	EFFECT (CH3)		
* VR307	V8264600	Rotary Variable Resistor	A 20.0K XV09213P	MONITOR (CH3)		
* VR401	V8264700	Rotary Variable Resistor	B 50.0K XV09213P	LOW (CH4)		

*: New Parts

RANK: Japan only

REF NO.	PART NO.	DESCRIPTION		REMARKS	QTY	RANK
* VR402	V8264700	Rotary Variable Resistor	B 50.0K XV09213P	MID (CH4)		
* VR403	V8264700	Rotary Variable Resistor	B 50.0K XV09213P	HIGH (CH4)		
* VR404	V8264600	Rotary Variable Resistor	A 20.0K XV09213P	LEVEL (CH4)		
* VR405	V8265000	Rotary Variable Resistor	B 10.0K XV09213P	PAN (CH4)		
* VR406	V8264600	Rotary Variable Resistor	A 20.0K XV09213P	EFFECT (CH4)		
* VR407	V8264600	Rotary Variable Resistor	A 20.0K XV09213P	MONITOR (CH4)		
* VR501	V8264700	Rotary Variable Resistor	B 50.0K XV09213P	LOW (CH5)		
* VR502	V8264700	Rotary Variable Resistor	B 50.0K XV09213P	MID (CH5)		
* VR503	V8264700	Rotary Variable Resistor	B 50.0K XV09213P	HIGH (CH5)		
* VR504	V8264600	Rotary Variable Resistor	A 20.0K XV09213P	LEVEL (CH5)		
* VR505	V8265000	Rotary Variable Resistor	B 10.0K XV09213P	PAN (CH5)		
* VR506	V8264600	Rotary Variable Resistor	A 20.0K XV09213P	EFFECT (CH5)		
* VR507	V8264600	Rotary Variable Resistor	A 20.0K XV09213P	MONITOR (CH5)		
* VR601	V8264700	Rotary Variable Resistor	B 50.0K XV09213P	LOW (CH6)		
* VR602	V8264700	Rotary Variable Resistor	B 50.0K XV09213P	MID (CH6)		
* VR603	V8264700	Rotary Variable Resistor	B 50.0K XV09213P	HIGH (CH6)		
* VR604	V8264600	Rotary Variable Resistor	A 20.0K XV09213P	LEVEL (CH6)		
* VR605	V8265000	Rotary Variable Resistor	B 10.0K XV09213P	PAN (CH6)		
* VR606	V8264600	Rotary Variable Resistor	A 20.0K XV09213P	EFFECT (CH6)		
* VR607	V8264600	Rotary Variable Resistor	A 20.0K XV09213P	MONITOR (CH6)		
VR701	VZ611100	Rotary Variable Resistor	B 50K RK12L123	LOW (CH7)		05
VR702	VZ611100	Rotary Variable Resistor	B 50K RK12L123	MID (CH7)		05
VR703	VZ611100	Rotary Variable Resistor	B 50K RK12L123	HIGH (CH7)		05
VR704	VZ610900	Rotary Variable Resistor	A 20K RK12L12C	LEVEL (CH7)		02
* VR705	V8265000	Rotary Variable Resistor	B 10.0K XV09213P	BAL/PAN (CH7)		
VR706	VZ610900	Rotary Variable Resistor	A 20K RK12L12C	EFFECT (CH7)		02
VR707	VZ610900	Rotary Variable Resistor	A 20K RK12L12C	MONITOR (CH7)		02
VR801	VZ611100	Rotary Variable Resistor	B 50K RK12L123	LOW (CH8)		05
VR802	VZ611100	Rotary Variable Resistor	B 50K RK12L123	MID (CH8)		05
VR803	VZ611100	Rotary Variable Resistor	B 50K RK12L123	HIGH (CH8)		05
VR804	VZ610900	Rotary Variable Resistor	A 20K RK12L12C	LEVEL (CH8)		02
* VR805	V8265000	Rotary Variable Resistor	B 10.0K XV09213P	BAL/PAN (CH8)		
VR806	VZ610900	Rotary Variable Resistor	A 20K RK12L12C	EFFECT (CH8)		02
VR807	VZ610900	Rotary Variable Resistor	A 20K RK12L12C	MONITOR (CH8)		02
VR901	VZ610900	Rotary Variable Resistor	A 20K RK12L12C	AUX IN		02
VR902	VZ610900	Rotary Variable Resistor	A 20K RK12L12C	2TR IN (MAIN)		02
VR903	VZ610900	Rotary Variable Resistor	A 20K RK12L12C	EFFECT RTN (MAIN)		02
VR904	VZ610900	Rotary Variable Resistor	A 20K RK12L12C	EFFECT RTN (MONITOR)		02
* VR905	V8287400	Rotary Variable Resistor	B 5.0s XV09213P	PARAMETER		
VR906	VU804300	Slide Variable Resistor	W 20.0K RS20H12	125 (MAIN)		03
VR907	VU804300	Slide Variable Resistor	W 20.0K RS20H12	250 (MAIN)		03
VR908	VU804300	Slide Variable Resistor	W 20.0K RS20H12	500 (MAIN)		03
VR909	VU804300	Slide Variable Resistor	W 20.0K RS20H12	1k (MAIN)		03
VR910	VU804300	Slide Variable Resistor	W 20.0K RS20H12	2k (MAIN)		03
VR911	VU804300	Slide Variable Resistor	W 20.0K RS20H12	4k (MAIN)		03
VR912	VU804300	Slide Variable Resistor	W 20.0K RS20H12	8k (MAIN)		03
VR913	VV044600	Slide Variable Resistor	RS20H11KD017-YL	125 (MONITOR)		03
VR914	VV044600	Slide Variable Resistor	RS20H11KD017-YL	250 (MONITOR)		03
VR915	VV044600	Slide Variable Resistor	RS20H11KD017-YL	500 (MONITOR)		03
VR916	VV044600	Slide Variable Resistor	RS20H11KD017-YL	1k (MONITOR)		03
VR917	VV044600	Slide Variable Resistor	RS20H11KD017-YL	2k (MONITOR)		03
VR918	VV044600	Slide Variable Resistor	RS20H11KD017-YL	4k (MONITOR)		03
VR919	VV044600	Slide Variable Resistor	RS20H11KD017-YL	8k (MONITOR)		03
VR920	VZ610900	Rotary Variable Resistor	A 20K RK12L12C	MASTER (MAIN)		02
* VR921	V8264600	Rotary Variable Resistor	A 20.0K XV09213P	MASTER (MONITOR)		
VR923	VZ610900	Rotary Variable Resistor	A 20K RK12L12C	2TR IN (MONITOR)		02
*	AAX32800	Circuit Board	PWR B88 1/4 J	J, U (X0623B0)		
*	AAX32810	Circuit Board	PWR B88 1/4 H	H, A (V826920) (X0623B0)		
*	AAX32820	Circuit Board	PWR B88 2/4 J	(V826900) (X0623B0)		
*	AAX32830	Circuit Board	PWR B88 3/4 J	J (V826900) (X0623B0)		
*	AAX32840	Circuit Board	PWR B88 3/4 U	U (V826910) (X0623B0)		
*	AAX32850	Circuit Board	PWR B88 3/4 H	H, A (V826920) (X0623B0)		
*	AAX32860	Circuit Board	PWR B88 4/4 J	(V826900) (X0623B0)		
	--	Jumper Wire	0.60 TP	(V829020)		
	--	Wiring Assembly	SGND	(V842670)		
	--	Jumper Wire	0.60	(VV29140)		
	VV319600	Fuse Holder	CQ-05CT			01
C101	VZ004000	Electrolytic Cap.	2.2 200.0V			01

*: New Parts

RANK: Japan only

EMX68S / EMX88S

△
△

△
△

REF NO.	PART NO.	DESCRIPTION		REMARKS	QTY	RANK
-104	VZ004000	Electrolytic Cap.	2.2 200.0V			01
C105	UR838100	Electrolytic Cap.	100.00 16.0V			01
C106	UR838100	Electrolytic Cap.	100.00 16.0V			01
C107	FU451680	Mica Capacitor	68P 500V J			01
C108	FU451680	Mica Capacitor	68P 500V J			01
C109	FU451820	Mica Capacitor	82P 500V J			01
C110	FU451820	Mica Capacitor	82P 500V J			01
C111	V6185400	Capacitor	3300P 400V J.U.C.S	U, H		01
C112	V6185400	Capacitor	3300P 400V J.U.C.S	U, H		01
C113	UR877100	Electrolytic Cap.	10.00 63.0V			01
C114	UR877100	Electrolytic Cap.	10.00 63.0V			01
C115	VZ354000	Ceramic Capacitor-F	0.0100 50V Z			01
C116	VZ353900	Ceramic Cap.-B	1000P 50V K			01
C117	VZ353900	Ceramic Cap.-B	1000P 50V K			01
C118	V6113500	Capacitor	1000P 400V J.U.C.S			01
C119	V0039700	Capacitor	0.1 275V UCS			01
C120	UA953220	Mylar Capacitor	2200P 50V J			01
C121	V4567500	Ceramic Capacitor-SL	10P 500V K			01
C122	V4567500	Ceramic Capacitor-SL	10P 500V K			01
C123	VZ354600	Monolithic Ceramic Cap.	0.10 50V Z			01
C124	VZ354600	Monolithic Ceramic Cap.	0.10 50V Z			01
C125	V3280500	Ceramic Capacitor-B	100P 500 K			01
C126	VZ353500	Ceramic Capacitor-SL	100P 50V J			01
C127	UR877100	Electrolytic Cap.	10.00 63.0V			01
C128	UR877100	Electrolytic Cap.	10.00 63.0V			01
C129	VZ354000	Ceramic Capacitor-F	0.0100 50V Z			01
C130	VZ354600	Monolithic Ceramic Cap.	0.10 50V Z			01
C131	V4567500	Ceramic Capacitor-SL	10P 500V K			01
C132	VZ354600	Monolithic Ceramic Cap.	0.10 50V Z			01
C133	V4567500	Ceramic Capacitor-SL	10P 500V K			01
C134	UR828470	Electrolytic Cap.	470.00 10.0V			01
C135	UR857470	Electrolytic Cap.	47.00 35.0V			01
C136	VZ353900	Ceramic Cap.-B	1000P 50V K			01
C137	VZ353900	Ceramic Cap.-B	1000P 50V K			01
C138	VZ353500	Ceramic Capacitor-SL	100P 50V J			01
C139	UR877100	Electrolytic Cap.	10.00 63.0V			01
C140	UA953220	Mylar Capacitor	2200P 50V J			01
C141	UR877100	Electrolytic Cap.	10.00 63.0V			01
-144	UR877100	Electrolytic Cap.	10.00 63.0V			01
C145	VZ004000	Electrolytic Cap.	2.2 200.0V			01
C146	VZ004000	Electrolytic Cap.	2.2 200.0V			01
C147	V5482000	Electrolytic Cap.	1000 35.0V			01
C148	V5482000	Electrolytic Cap.	1000 35.0V			01
C149	V3280500	Ceramic Capacitor-B	100P 500 K			01
C150	V3280500	Ceramic Capacitor-B	100P 500 K			01
C151	V5482000	Electrolytic Cap.	1000 35.0V			01
-153	V5482000	Electrolytic Cap.	1000 35.0V			01
C154	V6183300	Electrolytic Cap.	3300 160V			08
C155	V6183300	Electrolytic Cap.	3300 160V			08
C156	UR896470	Electrolytic Cap.	4.7 100.0V			01
C157	V6183300	Electrolytic Cap.	3300 160V			08
C158	V6183300	Electrolytic Cap.	3300 160V			08
C159	VV082200	Polyester Film Cap	3.3000 100V M			03
C160	VV082200	Polyester Film Cap	3.3000 100V M			03
C161	V3148500	Polyester Film Cap	0.33 250V M			01
C162	VZ004000	Electrolytic Cap.	2.2 200.0V			01
C163	VZ004000	Electrolytic Cap.	2.2 200.0V			01
C164	V3148500	Polyester Film Cap	0.33 250V M			01
C165	UR866100	Electrolytic Cap.	1.00 50.0V			01
C166	VZ354300	Ceramic Capacitor-E	0.0022 500 M			01
C167	VZ354300	Ceramic Capacitor-E	0.0022 500 M			01
C168	VZ003800	Electrolytic Cap.	100.0 160.0V			02
C169	VZ003800	Electrolytic Cap.	100.0 160.0V			02
C170	UR877100	Electrolytic Cap.	10.00 63.0V			01
C171	UR877100	Electrolytic Cap.	10.00 63.0V			01
* C172	UA953220	Mylar Capacitor	2200P 50V J			01
* C173	UA953220	Mylar Capacitor	2200P 50V J			01
CN101	V3765300	Connector Base Post	M24185XX 15 TE			01
CN102	V5817000	AC Inlet	HF-301L			01
CN104	LB933030	Base Post Connector	VH- 3P SE			01

*: New Parts

RANK: Japan only

REF NO.	PART NO.	DESCRIPTION		REMARKS	QTY	RANK
CN105	VV066200	Connector Base Post	M2426XX 2P TE			01
CN106	LB932060	Base Post Connector	VH- 6P TE			01
CN107	LB933030	Base Post Connector	VH- 3P SE			01
D101	VD631600	Diode	1SS133,176,HSS104			01
-108	VD631600	Diode	1SS133,176,HSS104			01
D109	VG437700	Zener Diode	MTZ J 5.6B 5.6V			01
D110	VQ469600	Diode	HSS82			01
D111	VG437700	Zener Diode	MTZ J 5.6B 5.6V			01
D112	VD631600	Diode	1SS133,176,HSS104			01
D113	VD631600	Diode	1SS133,176,HSS104			01
D114	VQ469600	Diode	HSS82			01
-117	VQ469600	Diode	HSS82			01
D118	VN478200	Diode	D1NL20U			01
D119	VN478200	Diode	D1NL20U			01
D120	VU801600	Diode	1N4004L 26			01
D121	VU801600	Diode	1N4004L 26			01
D122	VD631600	Diode	1SS133,176,HSS104			01
-125	VD631600	Diode	1SS133,176,HSS104			01
D126	VU801600	Diode	1N4004L 26			01
D127	VG437700	Zener Diode	MTZ J 5.6B 5.6V			01
D128	VD631600	Diode	1SS133,176,HSS104			01
D129	VG437700	Zener Diode	MTZ J 5.6B 5.6V			01
D130	VQ469600	Diode	HSS82			01
D131	VD631600	Diode	1SS133,176,HSS104			01
D132	VD631600	Diode	1SS133,176,HSS104			01
D133	VN478200	Diode	D1NL20U			01
D134	VN478200	Diode	D1NL20U			01
D135	VQ469600	Diode	HSS82			01
-138	VQ469600	Diode	HSS82			01
D139	VD631600	Diode	1SS133,176,HSS104			01
D140	VU801600	Diode	1N4004L 26			01
-143	VU801600	Diode	1N4004L 26			01
D144	VG438900	Zener Diode	MTZ J 8.2B 8.2V			01
D145	VU801600	Diode	1N4004L 26			01
D146	VU801600	Diode	1N4004L 26			01
D147	VR149700	Diode Stack	D8LD40 8.0A 400V			04
D148	VU801600	Diode	1N4004L 26			01
-150	VU801600	Diode	1N4004L 26			01
D151	VR149700	Diode Stack	D8LD40 8.0A 400V			04
D152	VU801600	Diode	1N4004L 26			01
D153	V2261600	Diode Stack	RBV-1306 13.0A 600			04
D154	VU801600	Diode	1N4004L 26			01
D155	VS135800	Diode Stack	FMX-22S 10.0A 200V			03
D156	VS135800	Diode Stack	FMX-22S 10.0A 200V			03
D157	VU801600	Diode	1N4004L 26			01
E101	VV075700	Terminal Plate				01
E102	VV075700	Terminal Plate				01
F101	KB001380	Fuse	15.00A U	J L=30mm		04
F101	KB001540	Fuse	12.00A UL	U L=30mm		04
F101	KB003360	Fuse	6.30A S	H L=20mm		02
F102	VV070600	Fuse	TDS 2A 250V J/U/C	J, U		01
F102	VV071500	Fuse	TSD 2A 250V SEMKO	H, A		01
F103	VV070600	Fuse	TDS 2A 250V J/U/C	J, U		01
F103	VV071500	Fuse	TSD 2A 250V SEMKO	H, A		01
IC101	XD853A00	IC	NJM7815FA	REGULATOR +15V		03
IC102	XD854A00	IC	NJM7915FA	REGULATOR -15V		03
IC103	XJ607A00	IC	NJM7805FA	REGULATOR +5V		02
J101	--	Jumper Wire	0.60	(VV29140)		
-104	--	Jumper Wire	0.60	(VV29140)		
J107	--	Jumper Wire	0.60	(VV29140)		
* JK101	V8102300	Phone Jack	STJACK LJB0661	SPEAKERS A 1		
* JK102	V8102300	Phone Jack	STJACK LJB0661	SPEAKERS A 2		
* JK103	V8102300	Phone Jack	STJACK LJB0661	SPEAKERS BRIDGE		
* JK104	V8102300	Phone Jack	STJACK LJB0661	SPEAKERS B 1		
* JK105	V8102300	Phone Jack	STJACK LJB0661	SPEAKERS B 2		
L101	V4668300	Coil	OH-20 100UH			08
L102	V4668300	Coil	OH-20 100UH			08
L103	GE300670	Ferrite Bead	BL02RN2-R62T4			02
L104	GE300670	Ferrite Bead	BL02RN2-R62T4			02
L105	VR150900	Coil	RZ-001 21MM			02

*: New Parts

RANK: Japan only

EMX68S / EMX88S

REF NO.	PART NO.	DESCRIPTION	REMARKS	QTY	RANK
L106	VR150900	Coil	RZ-001 21MM		02
PR101	VL965100	Positive Thermistor	PTH9M04BE222TS2		04
PR102	VL964800	Positive Thermistor	PTH9M04BH222TS2		04
Q101	IC1815M0	Transistor	2SC1815 Y,GR		01
Q102	IA097030	Transistor	2SA970 GR,BL		01
Q103	IC1815M0	Transistor	2SC1815 Y,GR		01
Q104	IA097030	Transistor	2SA970 GR,BL		01
Q105	IC224030	Transistor	2SC2240 GR,BL		01
Q106	IC224030	Transistor	2SC2240 GR,BL		01
Q107	IA097030	Transistor	2SA970 GR,BL		01
-109	IA097030	Transistor	2SA970 GR,BL		01
Q110	IC1815M0	Transistor	2SC1815 Y,GR		01
Q111	IA097030	Transistor	2SA970 GR,BL		01
Q112	IC1815M0	Transistor	2SC1815 Y,GR		01
Q113	VU418400	Transistor	2SA1371 D,E		01
Q114	VU418600	Transistor	2SC3468 D,E		01
Q115	VU418400	Transistor	2SA1371 D,E		01
Q116	VU418600	Transistor	2SC3468 D,E		01
Q117	VU418600	Transistor	2SC3468 D,E		01
Q118	VU418400	Transistor	2SA1371 D,E		01
Q119	V2797700	Transistor	2SC5395 E,F		01
Q120	V2797600	Transistor	2SA1993 E,F		01
Q121	VU418600	Transistor	2SC3468 D,E		01
Q122	VU418400	Transistor	2SA1371 D,E		01
Q123	V2797700	Transistor	2SC5395 E,F		01
Q124	VU418400	Transistor	2SA1371 D,E		01
Q125	VU418600	Transistor	2SC3468 D,E		01
Q126	V2797600	Transistor	2SA1993 E,F		01
Q127	V2797700	Transistor	2SC5395 E,F		01
-129	V2797700	Transistor	2SC5395 E,F		01
Q130	V2797600	Transistor	2SA1993 E,F		01
Q131	VU418600	Transistor	2SC3468 D,E		01
Q132	VU418400	Transistor	2SA1371 D,E		01
Q133	VD678500	Digital Transistor	DTA114ES		01
Q134	VS883400	Transistor	2SD2394 E,F		02
Q135	V2797700	Transistor	2SC5395 E,F		01
Q136	VU418600	Transistor	2SC3468 D,E		01
Q137	VU418400	Transistor	2SA1371 D,E		01
Q201N	VR732800	Transistor	A1859A/C4883A		04
Q201P	VR732800	Transistor	A1859A/C4883A		04
Q202N	VZ222300	Pair Transistor	A1492C3856(Z)(210)		06
Q202P	VZ222300	Pair Transistor	A1492C3856(Z)(210)		06
Q203N	VZ222300	Pair Transistor	A1492C3856(Z)(210)		06
Q203P	VZ222300	Pair Transistor	A1492C3856(Z)(210)		06
Q204N	VR732800	Transistor	A1859A/C4883A		04
Q204P	VR732800	Transistor	A1859A/C4883A		04
Q205N	VZ222300	Pair Transistor	A1492C3856(Z)(210)		06
Q205P	VZ222300	Pair Transistor	A1492C3856(Z)(210)		06
Q206N	VZ222300	Pair Transistor	A1492C3856(Z)(210)		06
Q206P	VZ222300	Pair Transistor	A1492C3856(Z)(210)		06
Q207N	VR732800	Transistor	A1859A/C4883A		04
Q207P	VR732800	Transistor	A1859A/C4883A		04
Q208N	VZ222300	Pair Transistor	A1492C3856(Z)(210)		06
Q208P	VZ222300	Pair Transistor	A1492C3856(Z)(210)		06
Q209N	VZ222300	Pair Transistor	A1492C3856(Z)(210)		06
Q209P	VZ222300	Pair Transistor	A1492C3856(Z)(210)		06
Q210N	VR732800	Transistor	A1859A/C4883A		04
Q210P	VR732800	Transistor	A1859A/C4883A		04
Q211N	VZ222300	Pair Transistor	A1492C3856(Z)(210)		06
Q211P	VZ222300	Pair Transistor	A1492C3856(Z)(210)		06
Q212N	VZ222300	Pair Transistor	A1492C3856(Z)(210)		06
Q212P	VZ222300	Pair Transistor	A1492C3856(Z)(210)		06
Q213N	VZ222300	Pair Transistor	A1492C3856(Z)(210)		06
Q213P	VZ222300	Pair Transistor	A1492C3856(Z)(210)		06
R101	HF457470	Carbon Resistor	47.0K 1/4 J		01
R102	HF457220	Carbon Resistor	22.0K 1/4 J		01
R103	HF457220	Carbon Resistor	22.0K 1/4 J		01
R104	VV312800	Metal Film Resistor	680.0 1/4 F		01
R105	VV312800	Metal Film Resistor	680.0 1/4 F		01
R106	HF455560	Carbon Resistor	560.0 1/4 J		01

*: New Parts

RANK: Japan only

REF NO.	PART NO.	DESCRIPTION		REMARKS	QTY	RANK
R107	HF455560	Carbon Resistor	560.0 1/4 J			01
R108	HF455100	Carbon Resistor	100.0 1/4 J			01
R109	HF455100	Carbon Resistor	100.0 1/4 J			01
R110	HF455560	Carbon Resistor	560.0 1/4 J			01
R111	HF455560	Carbon Resistor	560.0 1/4 J			01
R112	HF455100	Carbon Resistor	100.0 1/4 J			01
R113	HF455100	Carbon Resistor	100.0 1/4 J			01
R114	HF457470	Carbon Resistor	47.0K 1/4 J			01
R115	HF455560	Carbon Resistor	560.0 1/4 J			01
R116	HF455560	Carbon Resistor	560.0 1/4 J			01
R117	HF457470	Carbon Resistor	47.0K 1/4 J			01
R118	HF457470	Carbon Resistor	47.0K 1/4 J			01
R119	VV312900	Metal Film Resistor	22K 1/4 F			01
R120	VV312900	Metal Film Resistor	22K 1/4 F			01
R121	HF455330	Carbon Resistor	330.0 1/4 J			01
-124	HF455330	Carbon Resistor	330.0 1/4 J			01
R125	HF455220	Carbon Resistor	220.0 1/4 J			01
R126	HF455220	Carbon Resistor	220.0 1/4 J			01
R127	HF457470	Carbon Resistor	47.0K 1/4 J			01
-130	HF457470	Carbon Resistor	47.0K 1/4 J			01
R131	HF455560	Carbon Resistor	560.0 1/4 J			01
R132	HF455560	Carbon Resistor	560.0 1/4 J			01
R133	HF457120	Carbon Resistor	12.0K 1/4 J			01
R134	HF457120	Carbon Resistor	12.0K 1/4 J			01
R135	VV313800	Flame Proof C. Resistor	220.0 1/4 J			01
R136	VV313800	Flame Proof C. Resistor	220.0 1/4 J			01
R137	VZ009300	Flame Proof C. Resistor	330.0 1/4 J			01
R138	VZ009300	Flame Proof C. Resistor	330.0 1/4 J			01
R139	VV276800	Flame Proof C. Resistor	100 1/4 J			01
-142	VV276800	Flame Proof C. Resistor	100 1/4 J			01
R143	VZ009100	Flame Proof C. Resistor	33.0 1/4 J			01
R144	VZ009100	Flame Proof C. Resistor	33.0 1/4 J			01
R145	VZ008800	Flame Proof C. Resistor	22.0 1/4 J			01
R146	VZ008800	Flame Proof C. Resistor	22.0 1/4 J			01
R147	V4833200	Wire Wound Resistor	0.22 5W K			01
R148	V4833200	Wire Wound Resistor	0.22 5W K			01
R149	VZ009100	Flame Proof C. Resistor	33.0 1/4 J			01
R150	VZ009100	Flame Proof C. Resistor	33.0 1/4 J			01
R151	VZ008800	Flame Proof C. Resistor	22.0 1/4 J			01
R152	VZ008800	Flame Proof C. Resistor	22.0 1/4 J			01
R153	VV058500	Flame Proof C. Resistor	10.0 1/4 J			01
R154	V4833200	Wire Wound Resistor	0.22 5W K			01
R155	V4833200	Wire Wound Resistor	0.22 5W K			01
R156	VV058500	Flame Proof C. Resistor	10.0 1/4 J			01
R157	HF458150	Carbon Resistor	150.0K 1/4 J			01
R158	VV058500	Flame Proof C. Resistor	10.0 1/4 J			01
R159	HF455220	Carbon Resistor	220.0 1/4 J			01
R160	HF455220	Carbon Resistor	220.0 1/4 J			01
R161	HF457470	Carbon Resistor	47.0K 1/4 J			01
-164	HF457470	Carbon Resistor	47.0K 1/4 J			01
R165	HF458150	Carbon Resistor	150.0K 1/4 J			01
R166	HF457100	Carbon Resistor	10.0K 1/4 J			01
R167	VV058500	Flame Proof C. Resistor	10.0 1/4 J			01
R168	HF457560	Carbon Resistor	56.0K 1/4 J			01
R169	HF455560	Carbon Resistor	560.0 1/4 J			01
R170	HF455560	Carbon Resistor	560.0 1/4 J			01
R171	HF457120	Carbon Resistor	12.0K 1/4 J			01
R172	HF457120	Carbon Resistor	12.0K 1/4 J			01
R173	HF457100	Carbon Resistor	10.0K 1/4 J			01
R174	VZ009300	Flame Proof C. Resistor	330.0 1/4 J			01
R175	VZ009300	Flame Proof C. Resistor	330.0 1/4 J			01
R176	HF457100	Carbon Resistor	10.0K 1/4 J			01
R177	HF456220	Carbon Resistor	2.2K 1/4 J			01
R178	VV276800	Flame Proof C. Resistor	100 1/4 J			01
R179	VV313800	Flame Proof C. Resistor	220.0 1/4 J			01
R180	VV276800	Flame Proof C. Resistor	100 1/4 J			01
R181	HF457100	Carbon Resistor	10.0K 1/4 J			01
R182	VV313800	Flame Proof C. Resistor	220.0 1/4 J			01
R183	VV276800	Flame Proof C. Resistor	100 1/4 J			01
R184	VV276800	Flame Proof C. Resistor	100 1/4 J			01

*: New Parts

RANK: Japan only

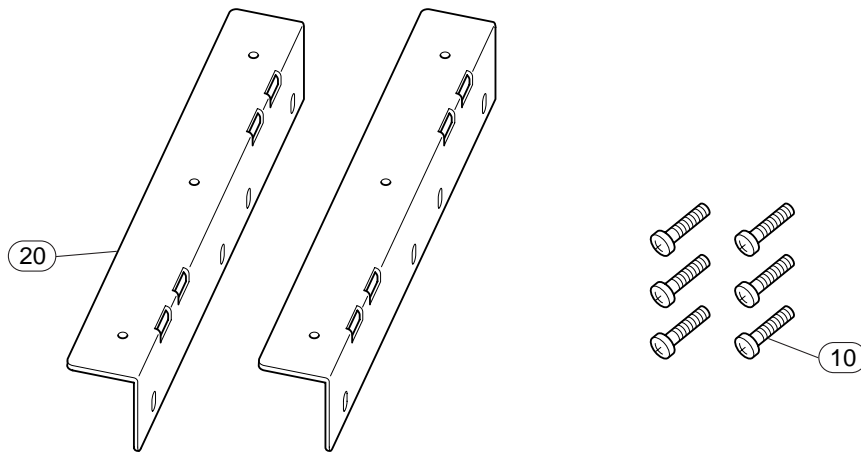
EMX68S / EMX88S

REF NO.	PART NO.	DESCRIPTION		REMARKS	QTY	RANK
R185	VZ009100	Flame Proof C. Resistor	33.0 1/4 J			01
R186	VZ009100	Flame Proof C. Resistor	33.0 1/4 J			01
R187	HF457120	Carbon Resistor	12.0K 1/4 J			01
R188	VZ008800	Flame Proof C. Resistor	22.0 1/4 J			01
R189	VZ008800	Flame Proof C. Resistor	22.0 1/4 J			01
R190	V4833200	Wire Wound Resistor	0.22 5W K			01
R191	V4833200	Wire Wound Resistor	0.22 5W K			01
R192	VZ009100	Flame Proof C. Resistor	33.0 1/4 J			01
R193	VZ009100	Flame Proof C. Resistor	33.0 1/4 J			01
R194	VZ008800	Flame Proof C. Resistor	22.0 1/4 J			01
R195	VZ008800	Flame Proof C. Resistor	22.0 1/4 J			01
R196	V4833200	Wire Wound Resistor	0.22 5W K			01
R197	V4833200	Wire Wound Resistor	0.22 5W K			01
R198	VV313800	Flame Proof C. Resistor	220.0 1/4 J			01
R199	HF455100	Carbon Resistor	100.0 1/4 J			01
R200	VV313800	Flame Proof C. Resistor	220.0 1/4 J			01
R201	HF456220	Carbon Resistor	2.2K 1/4 J			01
R202	HF457560	Carbon Resistor	56.0K 1/4 J			01
R203	HF456560	Carbon Resistor	5.6K 1/4 J			01
R204	HF456560	Carbon Resistor	5.6K 1/4 J			01
R205	HF457120	Carbon Resistor	12.0K 1/4 J			01
R206	VZ008800	Flame Proof C. Resistor	22.0 1/4 J			01
R207	VZ008700	Flame Proof C. Resistor	2.2K 1/4 J			01
R208	VZ008600	Flame Proof C. Resistor	150.0 1/4 J			01
R209	VZ008800	Flame Proof C. Resistor	22.0 1/4 J			01
R210	VZ008600	Flame Proof C. Resistor	150.0 1/4 J			01
R211	VZ008700	Flame Proof C. Resistor	2.2K 1/4 J			01
R212	VV313600	Flame Proof C. Resistor	2.2 1/4 J			01
R213	VV313600	Flame Proof C. Resistor	2.2 1/4 J			01
R214	VZ370200	Wire Wound Resistor	0.1 5W K			01
R215	VV313600	Flame Proof C. Resistor	2.2 1/4 J			01
R216	VV313600	Flame Proof C. Resistor	2.2 1/4 J			01
R217	VZ370200	Wire Wound Resistor	0.1 5W K			01
R218	VV313600	Flame Proof C. Resistor	2.2 1/4 J			01
R219	VZ370200	Wire Wound Resistor	0.1 5W K			01
R220	VV313600	Flame Proof C. Resistor	2.2 1/4 J			01
R221	VZ370200	Wire Wound Resistor	0.1 5W K			01
R222	VV276700	Flame Proof C. Resistor	4.7 1/4 J			01
-225	VV276700	Flame Proof C. Resistor	4.7 1/4 J			01
R226	VV313600	Flame Proof C. Resistor	2.2 1/4 J			01
-231	VV313600	Flame Proof C. Resistor	2.2 1/4 J			01
R232	VV313900	Flame Proof C. Resistor	680.0 1/4 J			01
R233	VV313900	Flame Proof C. Resistor	680.0 1/4 J			01
RY101	VV315400	Relay	DC OSA-SH-224DM3M			06
RY102	VV315400	Relay	DC OSA-SH-224DM3M			06
SW101	VY898100	Push Switch	SDDFA3107U-YL UCS	POWER ON/OFF		05
W101	--	Connector Assembly	B&B4P	(V827270)		
W101a	V3225000	Ferrite Core	FR25/15/12-D40			03
W102	V8272900	Connector Assembly	PSW			
W103	--	Connector Assembly	B&B1P	(V855290)		
	X0339B00	Power Transformer		J		
	X0340B00	Power Transformer	UL	U, V		
	X0341B00	Power Transformer	CE A	H, B, W		
	X0342B00	Power Transformer	AS A	A		
	V6147300	Fan	3110GLB5WB50H02			08

*: New Parts

RANK: Japan only

■ RK-88 RACK MOUNT KIT



REF NO.	PART NO.	DESCRIPTION		REMARKS	QTY	RANK
10	VB132700	RACK MOUNT KIT		RK-88	6	01
20	--	Bind Head Screw	4.0X12 MFZN2BL	(V840830)	2	
		Rack Angle				

*: New Parts

RANK: Japan only